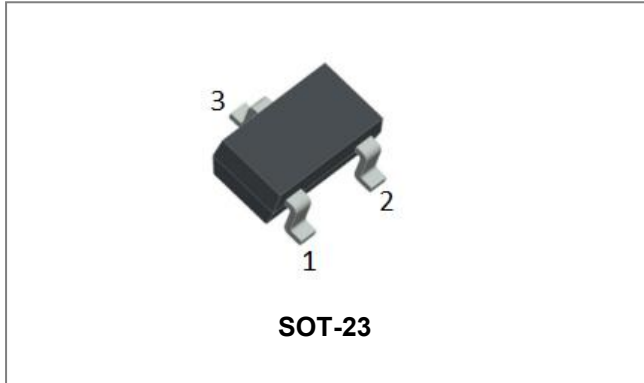


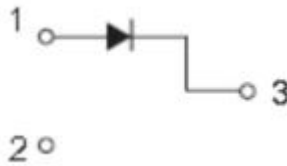
BZX84C2V4-BZX84C51 ZENER DIODE



Features

- Planar Die Construction
- 350mW Power Dissipation
- 2.4V- 51V Nominal Zener Voltage
- 5% Standard Vz Tolerance
- Designed for Surface Mount Application
- Plastic Material — UL Recognition Flammability Classification 94V-O
- “-A” is an AEC-Q101 qualified device
- This is a Halogen Free Device
- All SMC parts are traceable to the wafer lot
- Additional testing can be offered upon request

Schematic & Pin Configuration



Mechanical Characteristics

- Case: SOT-23, Molded Plastic
- Terminals: Plated leads Solderable per MIL-STD-750, Method 2026
- Mounting Position: Any
- Weight: 0.008g

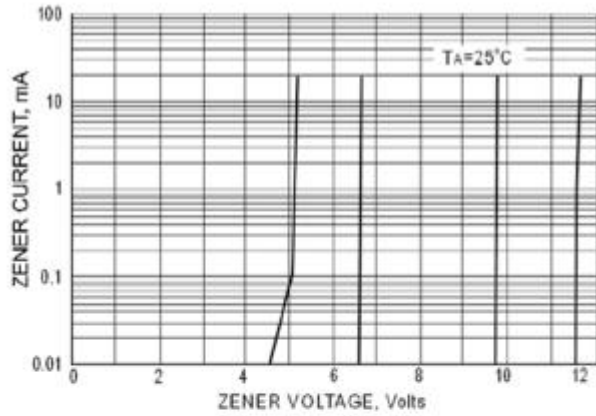
Maximum Ratings@ $T_A=25^\circ\text{C}$ unless otherwise specified

| Parameter | Symbol | Value | Units |
|--|-----------------|------------|--------------------|
| Power Dissipation | P_D | 350 | mW |
| Typical Thermal Resistance, Junction to Ambient | $R_{\theta JA}$ | 357 | $^\circ\text{C/W}$ |
| Operating Junction and Storage Temperature Range | T_J, T_{STG} | -55 to 150 | $^\circ\text{C}$ |

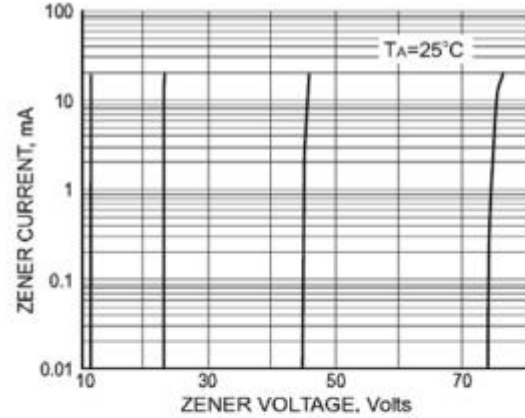
Electrical Characteristics @ $T_A=25^{\circ}\text{C}$ unless otherwise specified

| Part Number | Marking | Nominal Zener Voltage | | | Max. Zener Impedance | | | | Max.Reverse Leakage Current | |
|-------------|---------|---------------------------|-------|-------|----------------------|----|-----------|----|-----------------------------|-------|
| | | Vz(V) @ Izt ⁻¹ | | | Zzt @ Izt | | Zzk @ Izk | | IR @ VR | |
| | | Nom. | Min. | Max. | Ohm | mA | Ohm | mA | μA | V |
| BZX84C2V4 | W1/Z11 | 2.4 | 2.28 | 2.52 | 100 | 5 | 600 | 1 | 50 | 1.0 |
| BZX84C2V7 | W2/Z12 | 2.7 | 2.5 | 2.9 | 100 | 5 | 600 | 1 | 20 | 1.0 |
| BZX84C3V0 | W3/Z13 | 3 | 2.8 | 3.2 | 95 | 5 | 600 | 1 | 10 | 1.0 |
| BZX84C3V3 | W4/Z14 | 3.3 | 3.1 | 3.5 | 95 | 5 | 600 | 1 | 5 | 1.0 |
| BZX84C3V6 | W5/Z15 | 3.6 | 3.4 | 3.8 | 90 | 5 | 600 | 1 | 5 | 1.0 |
| BZX84C3V9 | W6/Z16 | 3.9 | 3.7 | 4.1 | 90 | 5 | 600 | 1 | 3 | 1.0 |
| BZX84C4V3 | W7/Z17 | 4.3 | 4 | 4.6 | 90 | 5 | 600 | 1 | 3 | 1.0 |
| BZX84C4V7 | W8/Z1 | 4.7 | 4.4 | 5 | 80 | 5 | 500 | 1 | 3 | 2.0 |
| BZX84C5V1 | W9/Z2 | 5.1 | 4.8 | 5.4 | 60 | 5 | 480 | 1 | 2 | 2.0 |
| BZX84C5V6 | WA/Z3 | 5.6 | 5.2 | 6 | 40 | 5 | 400 | 1 | 1 | 2.0 |
| BZX84C6V2 | WB/Z4 | 6.2 | 5.8 | 6.6 | 10 | 5 | 150 | 1 | 3 | 4.0 |
| BZX84C6V8 | WC/Z5 | 6.8 | 6.4 | 7.2 | 15 | 5 | 80 | 1 | 2 | 4.0 |
| BZX84C7V5 | WD/Z6 | 7.5 | 7 | 7.9 | 15 | 5 | 80 | 1 | 1 | 5.0 |
| BZX84C8V2 | WE/Z7 | 8.2 | 7.7 | 8.7 | 15 | 5 | 80 | 1 | 0.7 | 5.0 |
| BZX84C9V1 | WF/Z8 | 9.1 | 8.5 | 9.6 | 15 | 5 | 100 | 1 | 0.5 | 6.0 |
| BZX84C10 | WG/Z9 | 10 | 9.4 | 10.6 | 20 | 5 | 150 | 1 | 0.2 | 7.0 |
| BZX84C11 | WH/Y1 | 11 | 10.4 | 11.6 | 20 | 5 | 150 | 1 | 0.1 | 8.0 |
| BZX84C12 | WI/Y2 | 12 | 11.4 | 12.7 | 25 | 5 | 150 | 1 | 0.1 | 8.0 |
| BZX84C13 | WK/Y3 | 13 | 12.4 | 14.1 | 30 | 5 | 170 | 1 | 0.1 | 8.0 |
| BZX84C15 | WL/Y4 | 15 | 13.8 | 15.6 | 30 | 5 | 200 | 1 | 0.1 | 10.5 |
| BZX84C16 | WM /Y5 | 16 | 15.3 | 17.1 | 40 | 5 | 200 | 1 | 0.1 | 11.2 |
| BZX84C18 | WN/Y6 | 18 | 16.8 | 19.1 | 45 | 5 | 225 | 1 | 0.1 | 12.6 |
| BZX84C20 | WO/Y7 | 20 | 18.8 | 21.2 | 55 | 5 | 225 | 1 | 0.1 | 14.0 |
| BZX84C22 | WP/Y8 | 22 | 20.8 | 23.3 | 55 | 5 | 250 | 1 | 0.1 | 15.4 |
| BZX84C24 | WR/Y9 | 24 | 22.8 | 25.6 | 70 | 5 | 250 | 1 | 0.1 | 16.8 |
| BZX84C27 | WS/Y10 | 27 | 25.1 | 28.9 | 80 | 2 | 300 | 1 | 0.1 | 18.9 |
| BZX84C30 | WT /Y11 | 30 | 28 | 32 | 80 | 2 | 300 | 1 | 0.1 | 21.0 |
| BZX84C33 | WU/Y12 | 33 | 31 | 35 | 80 | 2 | 325 | 1 | 0.1 | 23.1 |
| BZX84C36 | WW/Y13 | 36 | 34 | 38 | 90 | 2 | 350 | 1 | 0.1 | 25.2 |
| BZX84C39 | WX/Y14 | 39 | 37 | 41 | 130 | 2 | 350 | 1 | 0.1 | 27.3 |
| BZX84C43 | WY/Y15 | 43 | 40.85 | 45.15 | 150 | 5 | 375 | 1 | 0.1 | 30.10 |
| BZX84C47 | WZ/Y16 | 47 | 44.65 | 49.35 | 170 | 5 | 375 | 1 | 0.1 | 32.90 |
| BZX84C51 | XA/Y17 | 51 | 48.45 | 53.55 | 100 | 5 | 400 | 1 | 0.1 | 35.70 |

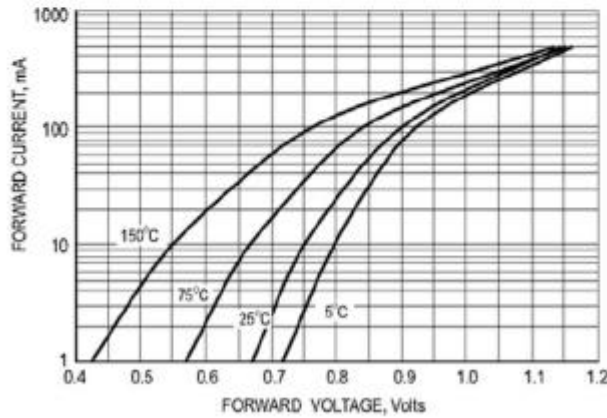
Ratings and Characteristics Curves



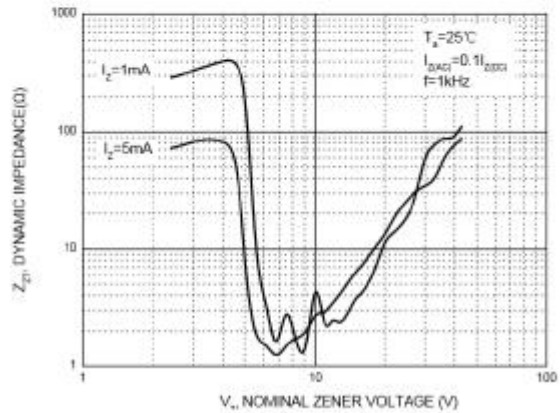
ZENER BREAKDOWN CHARACTERISTIC



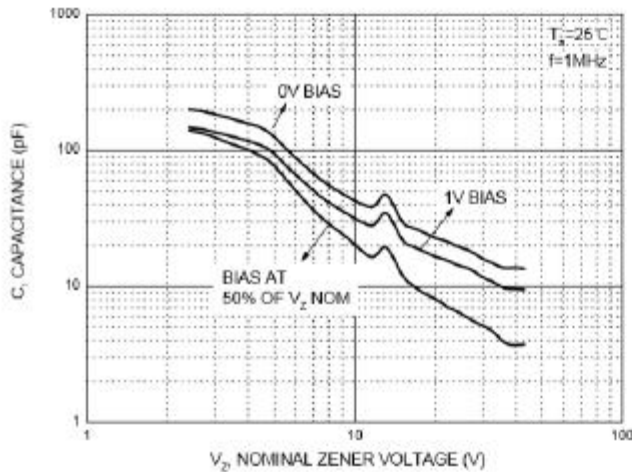
ZENER BREAKDOWN CHARACTERISTICS



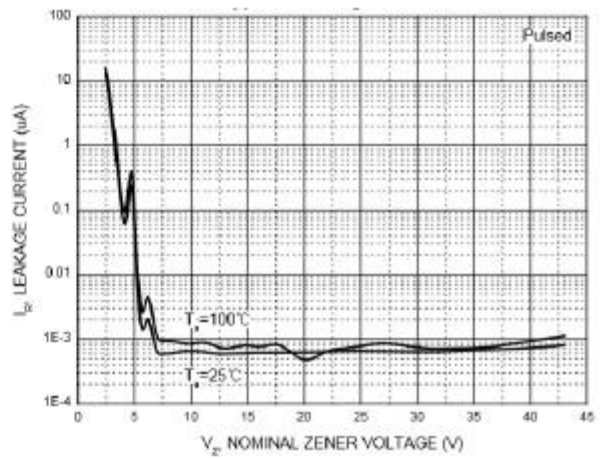
TYPICAL FORWARD VOLTAGE



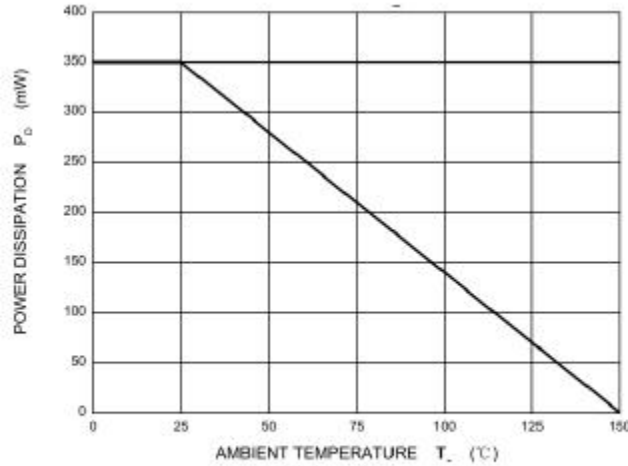
Effect of Zener Voltage on Zener Impedance



Typical Capacitance



Typical Leakage Current



POWER DISSIPATION VS. AMBIENT TEMP

Ordering Information

| Device | Package | Shipping |
|------------------------|---------|----------------|
| BZX84C2V4- BZX84C51 | SOT-23 | 3000pcs / reel |

For information on tape and reel specifications, including part orientation and tape sizes, please refer to our tape and reel packaging specification.

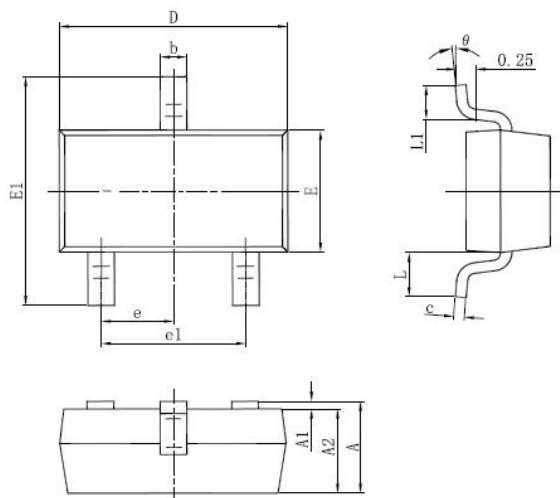
Marking Diagram



Z11 = Marking Code

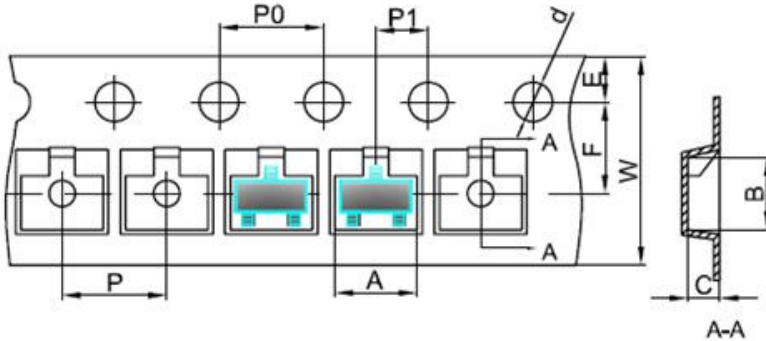
Note: If date code is before 2016 year, please contact with factory about marking.

Mechanical Dimensions SOT-23



| SYMBOL | Millimeters | | Inches | |
|----------|-------------|-------|------------|-------|
| | MIN. | MAX. | MIN. | MAX. |
| A | 0.890 | 1.150 | 0.035 | 0.045 |
| A1 | 0.000 | 0.100 | 0.000 | 0.004 |
| A2 | 0.900 | 1.050 | 0.035 | 0.041 |
| b | 0.300 | 0.500 | 0.012 | 0.020 |
| c | 0.076 | 0.170 | 0.003 | 0.007 |
| D | 2.650 | 3.050 | 0.104 | 0.120 |
| E | 1.190 | 1.400 | 0.047 | 0.055 |
| E1 | 2.100 | 2.550 | 0.083 | 0.100 |
| e | 0.950 TYP. | | 0.037 TYP. | |
| e1 | 1.780 | 2.050 | 0.070 | 0.081 |
| L | 0.550 REF. | | 0.022 REF. | |
| L1 | 0.300 | 0.500 | 0.012 | 0.020 |
| θ | 0° | 8° | 0° | 8° |

Carrier Tape Specification SOT-23



| SYMBOL | Millimeters | |
|--------|-------------|------|
| | Min. | Max. |
| A | 3.05 | 3.25 |
| B | 2.67 | 2.87 |
| C | 1.12 | 1.32 |
| d | 1.40 | 1.60 |
| E | 1.65 | 1.85 |
| F | 3.40 | 3.60 |
| P | 3.90 | 4.10 |
| P0 | 3.90 | 4.10 |
| P1 | 1.90 | 2.10 |
| W | 7.90 | 8.30 |

DISCLAIMER:

- 1- The information given herein, including the specifications and dimensions, is subject to change without prior notice to improve product characteristics. Before ordering, purchasers are advised to contact the SMC Diode Solutions sales department for the latest version of the datasheet(s).
- 2- In cases where extremely high reliability is required (such as use in nuclear power control, aerospace and aviation, traffic equipment, medical equipment, and safety equipment), safety should be ensured by using semiconductor devices that feature assured safety or by means of users' fail-safe precautions or other arrangement.
- 3- In no event shall SMC Diode Solutions be liable for any damages that may result from an accident or any other cause during operation of the user's units according to the datasheet(s). SMC Diode Solution assumes no responsibility for any intellectual property claims or any other problems that may result from applications of information, products or circuits described in the datasheets.
- 4- In no event shall SMC Diode Solutions be liable for any failure in a semiconductor device or any secondary damage resulting from use at a value exceeding the absolute maximum rating.
- 5- No license is granted by the datasheet(s) under any patents or other rights of any third party or SMC Diode Solutions.
- 6- The datasheet(s) may not be reproduced or duplicated, in any form, in whole or part, without the expressed written permission of SMC Diode Solutions.
- 7- The products (technologies) described in the datasheet(s) are not to be provided to any party whose purpose in their application will hinder maintenance of international peace and safety nor are they to be applied to that purpose by their direct purchasers or any third party. When exporting these products (technologies), the necessary procedures are to be taken in accordance with related laws and regulations..

X-ON Electronics

Largest Supplier of Electrical and Electronic Components

Click to view similar products for [Zener Diodes](#) category:

Click to view products by [Sangdest Microelectronic](#) manufacturer:

Other Similar products are found below :

[MMSZ5245BS-7-F](#) [RKZ13B2KG#P1](#) [RKZ5.6B2KJ#R1](#) [EDZTE6113B](#) [EDZTE6116B](#) [EDZTE616.8B](#) [1N747A](#) [1N966B](#) [NTE5116A](#)
[NTE5121A](#) [NTE5139A](#) [NTE5147A](#) [NTE5152A](#) [NTE5155A](#) [NTE5156A](#) [NTE5164A](#) [JANS1N4974US](#) [SMAJ4764A-TP](#) [RKZ5.1BKU#P6](#)
[3SMAJ5946B-TP](#) [3SMAJ5950B-TP](#) [3SMBJ5920B-TP](#) [3SMBJ5925B-TP](#) [TDZTR24](#) [441774C](#) [MMSZ4678-TP](#) [MMSZ5232BQ-13-F](#)
[BZG04-36](#) [BZG05C9V1-HE3-TR](#) [HZM30NBTR-E](#) [UDZTE-175.1B](#) [3SMAJ5945B-TP](#) [3SMAJ5947B-TP](#) [3SMBJ5941B-TP](#) [DL4746A-TP](#)
[RKZ18B2KK#R1](#) [RKZ10B2KL#R1](#) [RKZ6.8B2KL#R1](#) [RKZ8.2B2KL#R1](#) [DZ2S240M0L](#) [SMAZ27-TP](#) [SMBZ5920B-E3/52](#) [ZMM3.0](#)
[RD16UM-T1-A](#) [RD39S-T1-A](#) [RD9.1S-T1-A](#) [RD10S-T1-A](#) [RD20S-T1-A](#) [RD2.2S-T1-A](#) [RD2.7UM-T1-A](#)