

# DIODE MODULE (NON-ISOLATED TYPE)

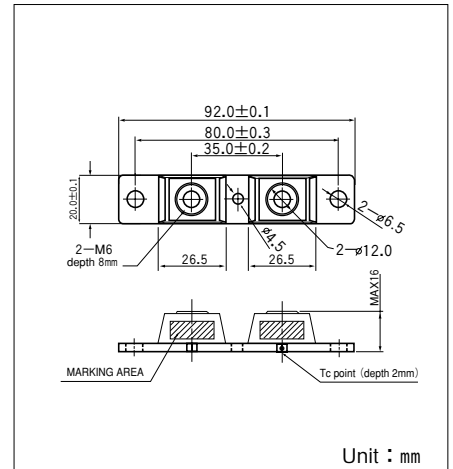
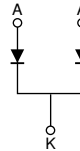
## DKR400AB60

DKR400AB60 is a high speed (fast recovery) dual diode module designed for high power switching application. DKR400AB60 is suitable for high frequency application requiring low loss and high speed control.

- High Speed Diode  $t_{rr} \leq 200\text{ns}$
- $I_{F(AV)} = 200\text{A}$  (each device)
- High Surge Capability

### (Applications)

Switching Power Supply, Inverter Welding Power Supply  
Power Supply for Telecommunication



### Maximum Ratings

( $T_j = 25^\circ\text{C}$  unless otherwise specified)

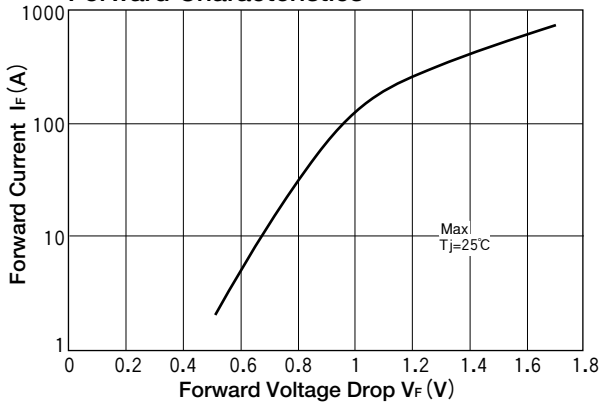
Symbol	Item	Ratings		Unit
		DKR400AB60		
$V_{RRM}$	Repetitive peak reverse Voltage	600		V
$V_{R(DC)}$	D.C. Reverse Voltage	480		V

Symbol	Item		Condition	Ratings	Unit
$I_F$	Forward Current	Per module	D.C. $T_c = 122^\circ\text{C}$	400	A
		Per leg		200	
$I_{FSM}$	Surge Forward Current		$\frac{1}{2}$ cycle, 60Hz, Peak value. non-repetitive	6000	A
			$\frac{1}{2}$ cycle, 50Hz, Peak value. non-repetitive	5400	
$I^2t$	$I^2t$ (for fusing)		Value for one cycle surge current	150000	$\text{A}^2\text{S}$
$T_j$	Operating Junction Temperature			$-40$ to $+150$	$^\circ\text{C}$
$T_{stg}$	Storage Temperature			$-40$ to $+125$	$^\circ\text{C}$
	Mounting Torque	Mounting (M6)	Recommended Value 25-40	48	$(\text{kgf} \cdot \text{cm})$
			Recommended Value 2.5-3.9	4.7	$\text{N} \cdot \text{m}$
		Mounting (M4)	Recommended Value 10-14	15	$(\text{kgf} \cdot \text{cm})$
			Recommended Value 1.0-1.4	1.5	$\text{N} \cdot \text{m}$
		Terminal (M6)	Recommended Value 25-40	48	$(\text{kgf} \cdot \text{cm})$
			Recommended Value 2.5-3.9	4.7	$\text{N} \cdot \text{m}$
	Mass	Typical Value		80	g

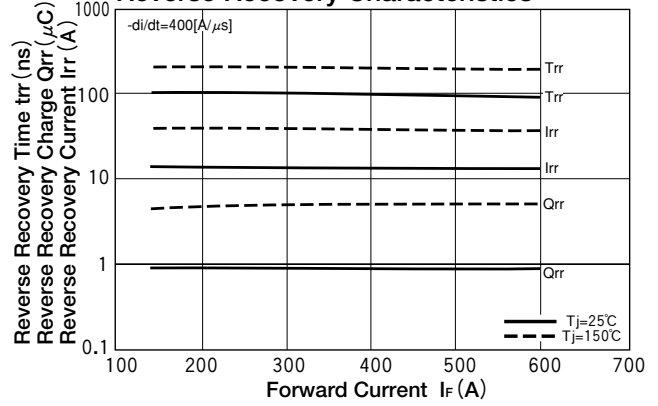
### Electrical Characteristics

Symbol	Item	Condition	Ratings			Unit
			Min.	Typ.	Max.	
$I_{RRM}$	Repetitive Peak Reverse Current	$T_j = 125^\circ\text{C}$ , $V_D = V_{RRM}$			300	mA
$V_{FM}$	Forward Voltage Drop	$I_F = 400\text{A}$ , Inst.measurement			1.4	V
$t_{rr}$	Reverse Recovery Time	$I_F = 400\text{A}$ , $-di/dt = 400\text{A}/\mu\text{s}$		100	200	ns
$R_{th(j-c)}$	Thermal Impedance	Junction to case, $\frac{1}{2}$ module			0.05	$^\circ\text{C}/\text{W}$

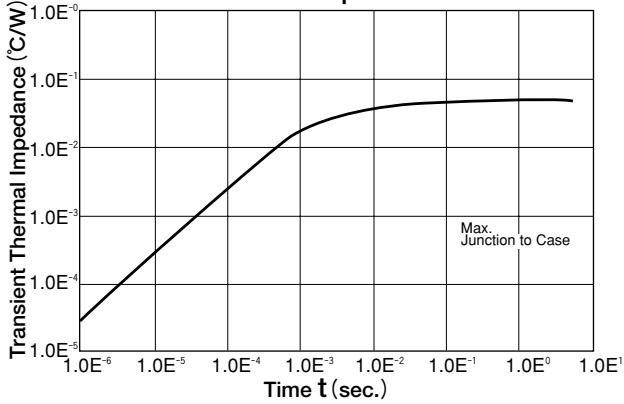
### Forward Characteristics



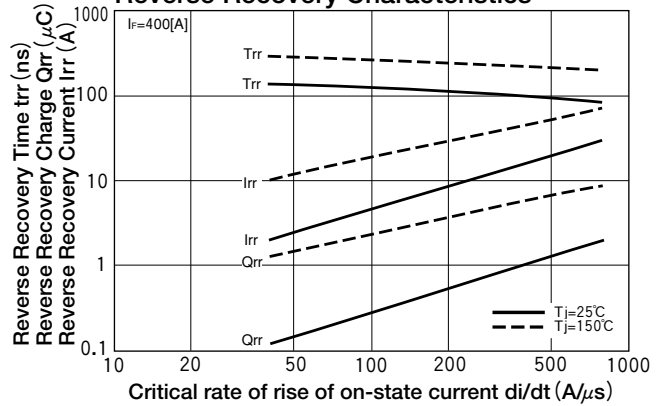
### Reverse Recovery Characteristics



### Transient Thermal Impedance



### Reverse Recovery Characteristics



## X-ON Electronics

Largest Supplier of Electrical and Electronic Components

*Click to view similar products for [Discrete Semiconductor Modules](#) category:*

*Click to view products by [Sanrex](#) manufacturer:*

Other Similar products are found below :

[07.471.1280.0](#) [25.161.3453.0](#) [25.163.0653.1](#) [25.163.2453.0](#) [25.163.4253.0](#) [25.179.2253.0](#) [25.190.2053.0](#) [25.194.3253.0](#) [25.194.3453.0](#)  
[25.320.2053.1](#) [25.320.4853.1](#) [25.320.5253.1](#) [25.325.1253.1](#) [25.326.3253.1](#) [25.326.3553.1](#) [25.326.4253.1](#) [25.330.0953.1](#) [25.330.1653.1](#)  
[25.330.3953.1](#) [25.330.4753.1](#) [25.330.5253.1](#) [25.332.4353.1](#) [25.334.3253.1](#) [25.334.3353.1](#) [25.350.1653.0](#) [25.350.2053.0](#) [25.350.2453.0](#)  
[25.352.1453.0](#) [25.352.1653.0](#) [25.352.2453.0](#) [25.352.4753.1](#) [25.352.5453.1](#) [25.522.3253.0](#) [25.522.3353.0](#) [25.602.4053.0](#) [25.640.5053.0](#)  
[APT10025JVFR](#) [APT10M07JVFR](#) [APT12040JVR](#) [APT19F100J](#) [APT20M11JFLL](#) [APT2X100DQ60J](#) [APT2X151DL60J](#) [APT2X21DC60J](#)  
[APT2X30D60J](#) [APT2X60DQ120J](#) [APT30F60J](#) [APT30M40JVFR](#) [APT32F120J](#) [APT33N90JCU2](#)