

DIODE MODULE (F.R.D.)

FRS300BA50

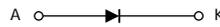
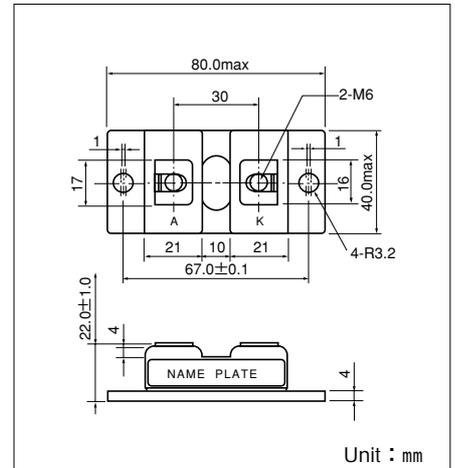
UL;E76102 (M)

FRS300BA is a high speed (fast recovery) isolated diode module designed for high power switching application. FRS300BA is suitable for high frequency application requiring low loss and high speed control.

- High Speed $t_{rr} \leq 200\text{ns}$
- $I_{F(AV)}$ 300A
- Isolated Mounting base.
- High Surge Capability

(Applications)

Inverter Welding Power Supply
Power Supply for Telecommunication
Various Switching Power Supply.



Maximum Ratings

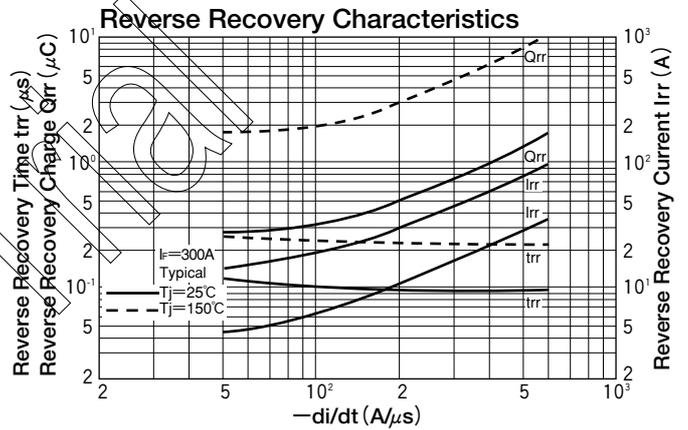
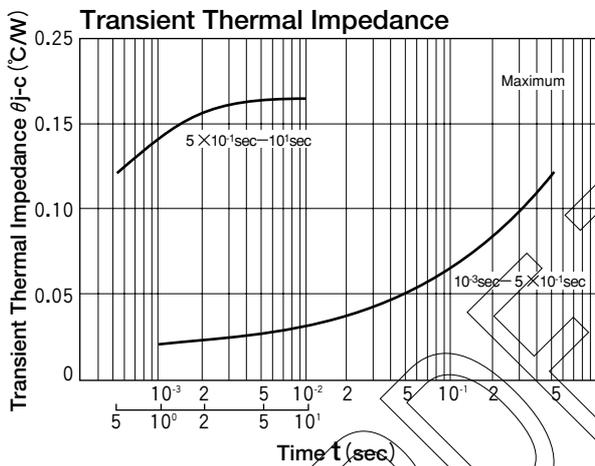
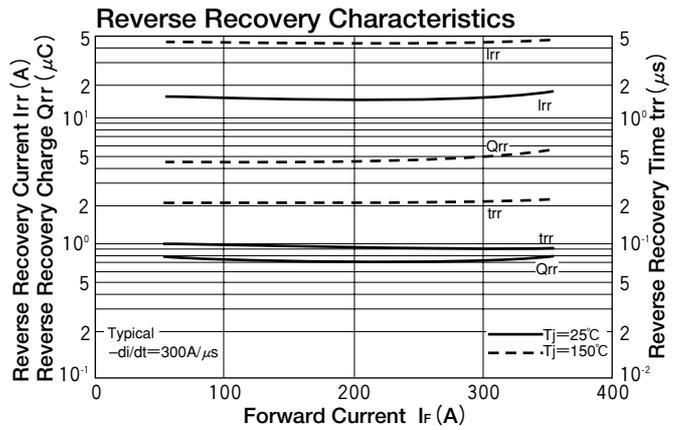
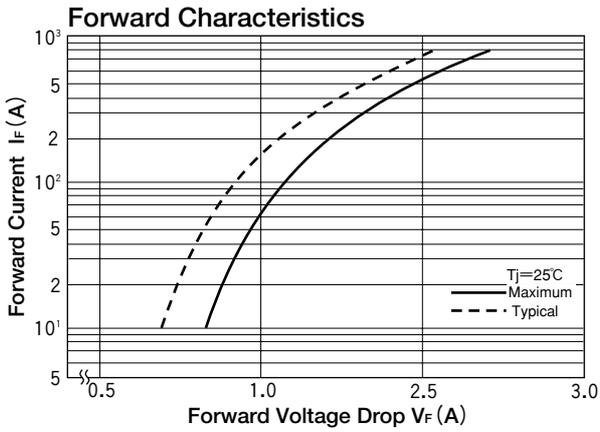
($T_j = 25^\circ\text{C}$ unless otherwise specified)

Symbol	Item	Ratings		Unit
		FRS300BA50		
V_{RRM}	Repetitive Peak Reverse Voltage	500		V
$V_{R(DC)}$	D.C. Reverse Voltage	400		V

Symbol	Item	Conditions	Ratings	Unit	
$I_{F(AV)}$	Forward Current	D.C. $T_c : 85^\circ\text{C}$	300	A	
I_{FMS}	Surge Forward Current	$1/2$ cycle, 60Hz, peak value, non-repetitive	4000	A	
I^2t	I^2t	Value for one cycle of surge current	66600	A^2S	
T_j	Operating Junction Temperature		-40 to $+150$	$^\circ\text{C}$	
T_{stg}	Storage Temperature		-40 to $+125$	$^\circ\text{C}$	
V_{iso}	Isolation Breakdown Voltage (R.M.S.)	A.C. 1 minute	2500	V	
	Mounting Torque	Mounting (M6)	Recommended Value 2.5-3.9 (25-40)	4.7 (48)	N·m (kgf·cm)
		Terminal (M6)	Recommended Value 2.5-3.9 (25-40)	4.7 (48)	
	Mass	Typical Value	170	g	

Electrical Characteristics

Symbol	Item	Conditions	Ratings			Unit
			Min.	Typ.	Max.	
I_{RRM}	Repetitive Peak Reverse Current	$T_j = 125^\circ\text{C}$, $V_{RRM} = 500\text{V}$			300	mA
V_{FM}	Forward Voltage Drop	$T_j = 25^\circ\text{C}$, $I_{FM} = 300\text{A}$, Inst. measurement			1.3	V
t_{rr}	Reverse Recovery Time	$I_F = 300\text{A}$, $-di/dt = 300\text{A}/\mu\text{s}$			200	ns
$R_{th(j-c)}$	Thermal Impedance	Junction to case			0.165	$^\circ\text{C}/\text{W}$



X-ON Electronics

Largest Supplier of Electrical and Electronic Components

Click to view similar products for [Discrete Semiconductor Modules](#) category:

Click to view products by [Sanrex](#) manufacturer:

Other Similar products are found below :

[07.471.1280.0](#) [25.161.3453.0](#) [25.163.0653.1](#) [25.163.2453.0](#) [25.163.4253.0](#) [25.179.2253.0](#) [25.190.2053.0](#) [25.194.3253.0](#) [25.194.3453.0](#)
[25.320.2053.1](#) [25.320.4853.1](#) [25.320.5253.1](#) [25.325.1253.1](#) [25.326.3253.1](#) [25.326.3553.1](#) [25.326.4253.1](#) [25.330.0953.1](#) [25.330.1653.1](#)
[25.330.3953.1](#) [25.330.4753.1](#) [25.330.5253.1](#) [25.332.4353.1](#) [25.334.3253.1](#) [25.334.3353.1](#) [25.350.1653.0](#) [25.350.2053.0](#) [25.350.2453.0](#)
[25.352.1453.0](#) [25.352.1653.0](#) [25.352.2453.0](#) [25.352.4753.1](#) [25.352.5453.1](#) [25.522.3253.0](#) [25.522.3353.0](#) [25.602.4053.0](#) [25.640.5053.0](#)
[APT10025JVFR](#) [APT10M07JVFR](#) [APT12040JVR](#) [APT19F100J](#) [APT20M11JFLL](#) [APT2X100DQ60J](#) [APT2X151DL60J](#) [APT2X21DC60J](#)
[APT2X30D60J](#) [APT2X60DQ120J](#) [APT30F60J](#) [APT30M40JVFR](#) [APT32F120J](#) [APT33N90JCU2](#)