

HG\$Jer\$Q sxsW

Long Life Fan □ 120mm

WER \$GI 564P



Long Life Fans

■ Kirive\$ti\$ng\$er\$w

Life expectancy200,000 hours, indoor environment (survival rate: 90% at 60°C, rated voltage, and continuously run in a free air state)

Motor protection systemCurrent cut system (with reverse-connection protection)

Dielectric strength50/60 Hz, 500 VAC, 1 minute (between lead conductor and frame)

Operating thermally range -10°C to +60°C (non-condensing)

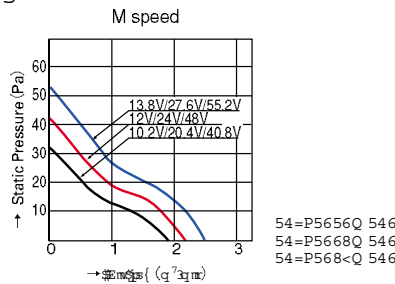
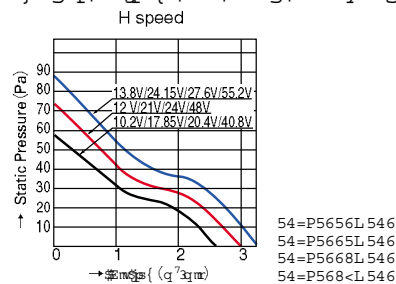
Fan power leadH speed, ⊕ red, ⊖ black
M speed, ⊕ red, ⊖ blue

7 < q q x l n g o

Wtignngexsrw

Model No	Rated voltage (V)	Operating voltage range (V)	Rated current (A)	Rated input (W)	Rated rotating speed (min ⁻¹)	Air flow (m ³ /min)	(CFM)	Static pressure (Pa)	Noise (dB[A])	Mass (g)
54=P5656L 546	12	10.2~13.8	0.4	4.8	2,850	3.0	106.0	70.5	41	370
54=P5656Q 546			0.22	2.64	2,150	2.25	79.4	41.1	34	
54=P5665L 546	21	17.8~24.2	0.24	5.04	2,850	3.0	106.0	70.5	41	
54=P5668L 546			0.21	5.04	2,850	3.0	106.0	70.5	41	
54=P5668Q 546	24	20.4~27.6	0.1	2.4	2,150	2.25	79.4	41.1	34	
54=P568<L 546			0.12	5.76	2,850	3.0	106.0	70.5	41	
54=P568<Q 546	48	40.8~55.2	0.06	2.88	2,150	2.25	79.4	41.1	34	

X) t n e p s { \$ r h \$ e x g \$ v i w y v i \$ l e v e x i v n z g w

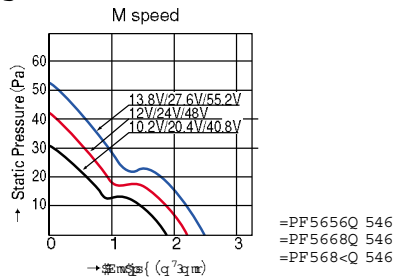
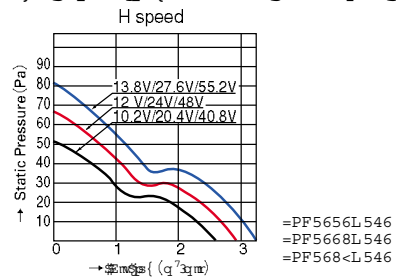


7 < q q x l n g o Low noise type

Wtignngexsrw

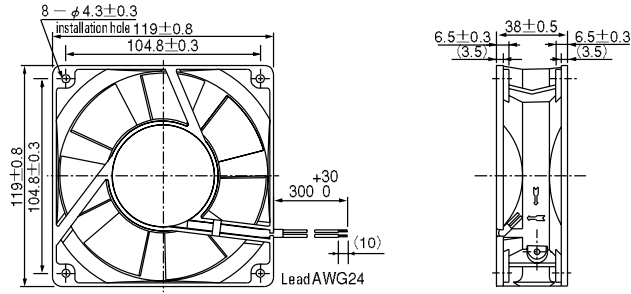
Model No	Rated voltage (V)	Operating voltage range (V)	Rated current (A)	Rated input (W)	Rated rotating speed (min ⁻¹)	Air flow (m ³ /min)	(CFM)	Static pressure (Pa)	Noise (dB[A])	Mass (g)
=PF5656L 546	12	10.2~13.8	0.39	4.68	2,600	2.9	102.4	67.62	39	370
=PF5656Q 546			0.22	2.64	2,000	2.2	77.7	42.14	32	
=PF5668L 546	24	20.4~27.6	0.19	4.56	2,600	2.9	102.4	67.62	39	
=PF5668Q 546			0.11	2.64	2,000	2.2	77.7	42.14	32	
=PF568<L 546	48	40.8~55.2	0.11	5.28	2,600	2.9	102.4	67.62	39	
=PF568<Q 546			0.06	2.88	2,000	2.2	77.7	42.14	32	

X) t n e p s { \$ r h \$ e x g \$ v i w y v i \$ l e v e x i v n z g w



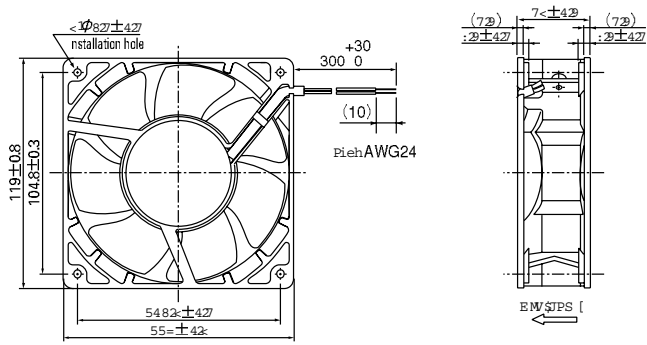
120mm

Horizontal type



Standard type

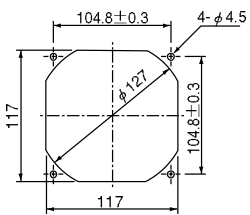
Long Life Fans



Low noise type

Vertical type

Horizontal type



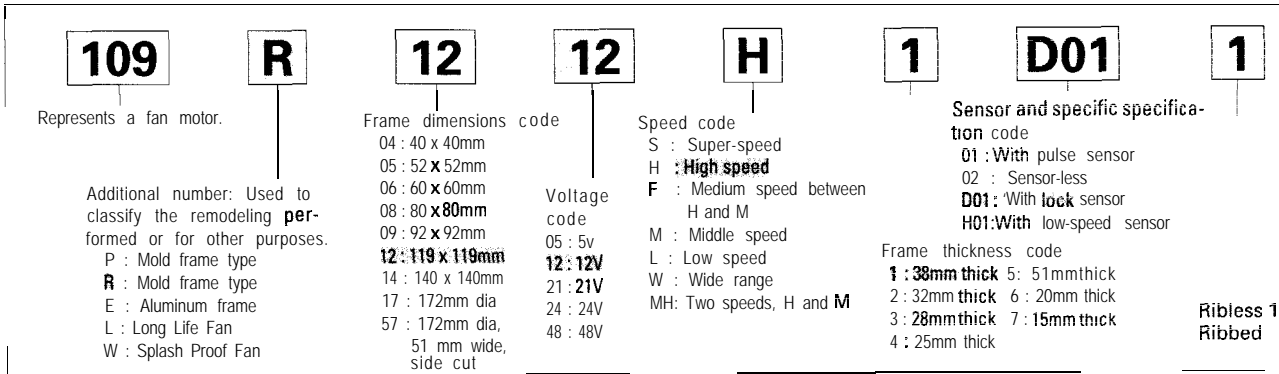
120mm

SANYO DENKI

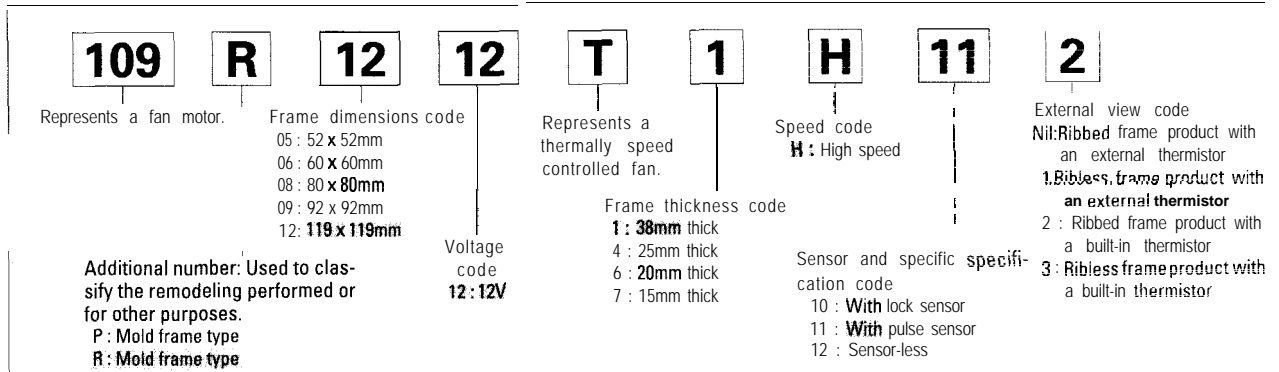
515915 (0) me is wyoe (Xswlmg e loy Xso) s f; 41<895 (Net er: 21 L S R I 3 4 / <5 7 5 = 5; 9 5 9 5
Leq i f e k i l x t 3 ({ { 2 er } shir n g s t

How to read the model number

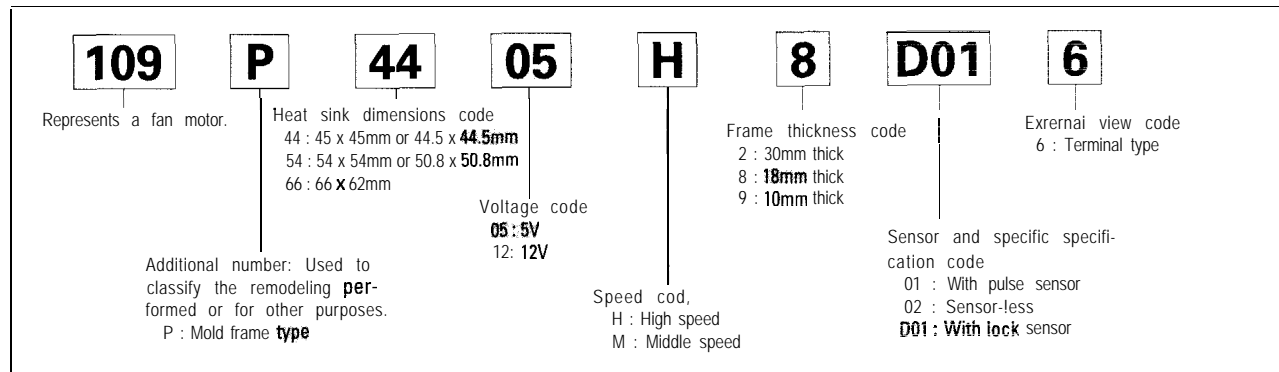
General fans



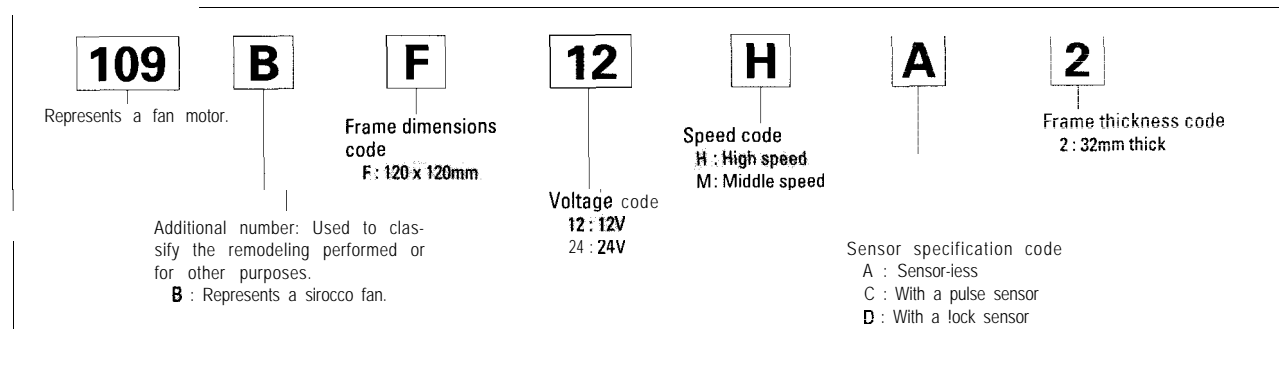
Thermally speed controlled fans



CPU cooler



Sirocco fan



X-ON Electronics

Largest Supplier of Electrical and Electronic Components

Click to view similar products for [sanyo denki manufacturer](#):

Other Similar products are found below :

[9A0812G401](#) [9A0824H401](#) [9G0824H102](#) [9GA0812P1H61](#) [9GA0812P1S61](#) [9GL1212F101](#) [9GV1412P1G001](#) [9GV3612G301](#)
[9WG1212H102](#) [9WG1224G101](#) [SM2861-5255](#) [9GT0912P1M001](#) [9GV0312E302](#) [9S1212F4011](#) [9SG5748P5H01](#) [9WG1212E101](#) [489-007-](#)
[L21](#) [103H5208-5240](#) [103H7126-1740](#) [103H7822-5740](#) [109-1001F13](#) [109-1003M30](#) [109-313](#) [109L1748H501](#) [109L5712H501](#)
[109P1412M101](#) [109R0824S4D01](#) [109-1069](#) [109BF24HD2](#) [9L0412H301](#) [9GA0812P1S61P](#) [9G1212P4G03](#) [9G0612P1G03](#)
[9CRB0812P8G001](#) [103H8221-5141](#) [103H8223-6340](#) [9LG1248P1H001](#) [SH1603-5240](#) [9GA0812P1H611](#) [9BD12SC6-1](#) [109P0824H701](#) [109-](#)
[049C](#) [103H7123-5740](#) [9AH0912P4H03](#) [9G1224G1D01](#) [9GV1212P4G011](#) [9G1224M4D011](#) [9GV0824P1G03](#) [109P0624W602](#)
[9WF0924S201](#)