

60mm sq.

San Ace 60

15mm thick, 20mm thick, 25mm thick
 External thermistor model /
 Built-in thermistor model



Note: Optional external thermistors are sold separately.

General Specifications

- Material Frame: Plastics (Flammability: UL94V-0),
 Impeller: Plastics (Flammability: UL94V-1)
- Life Expectancy Varies for each model (L10: Survival rate: 90% at 60°C ,
 rated voltage, and continuously run in a free air state)
- Lead Wire ⊕red ⊖black (Control) brown (Only for external thermistor type)
- Fail-safe The motor becomes high speed when the thermistor is unable
 to detect the temperature in case of open or short circuit etc.
 (Models equipped with a pulse sensor are excluded.)
- Storage Temperature... -30°C to +70°C (Non-condensing)

60×60×20mm [Mass : 90g]

Specifications External thermistor model

Model No.	Rated Voltage [V]	Operating Voltage Range [V]	Rated Current [A]	Rated Input [W]	Rated Speed [min ⁻¹]	Air Flow [m ³ /min] [CFM]	Static Pressure [Pa] [inchH ₂ O]	SPL [dB(A)]	Operating Temperature [°C]	Life Expectancy [h]
109P0612T6H12	12	10.2 to 13.8	0.15	1.8	4,200	0.42 14.8	31.9 0.128	31	-10 to +70	60,000
			0.10	1.2	2,100	0.21 7.4	8.8 0.035	21		

Note: The top row gives characteristics shown when the thermistor temperature is 35°C ,while the bottom row gives characteristics shown when the thermistor temperature is 28°C (Thermistor: 169-002).

Built-in thermistor model

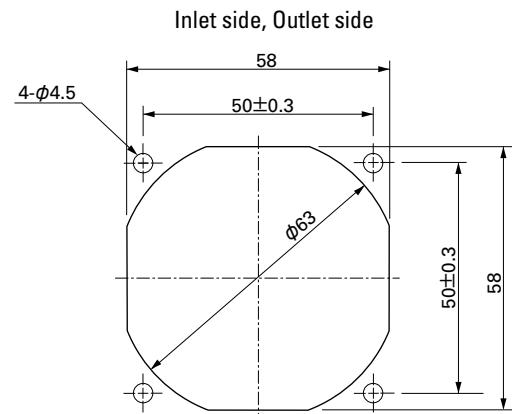
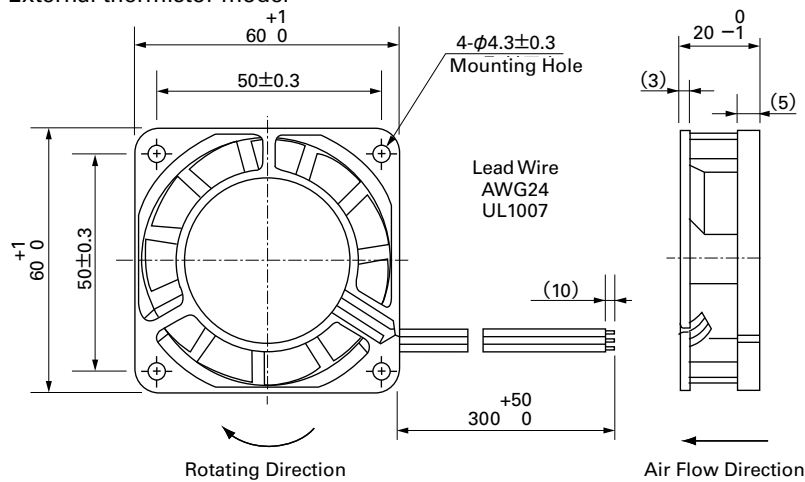
Model No.	Rated Voltage [V]	Operating Voltage Range [V]	Rated Current [A]	Rated Input [W]	Rated Speed [min ⁻¹]	Air Flow [m ³ /min] [CFM]	Static Pressure [Pa] [inchH ₂ O]	SPL [dB(A)]	Operating Temperature [°C]	Life Expectancy [h]
109P0612T6H122	12	10.2 to 13.8	0.15	1.8	4,400	0.44 15.5	35.0 0.141	33	-10 to +70	60,000
			0.10	1.2	2,150	0.22 7.8	9.2 0.037	21		

Note: The top row gives characteristics shown when the emperature is 40°C , while the bottom row gives characteristics shown when the temperature is 30°C .

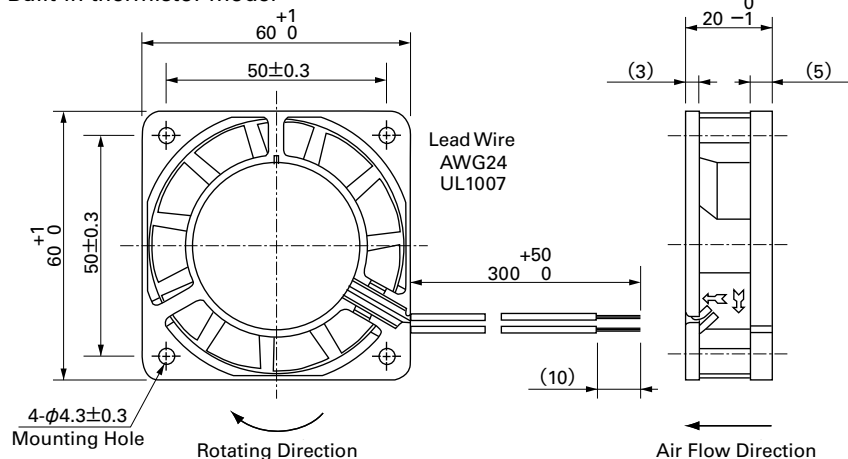
Dimensions (Unit : mm)

Reference dimensions of mounting holes and vent opening (Unit : mm)

External thermistor model



Built-in thermistor model

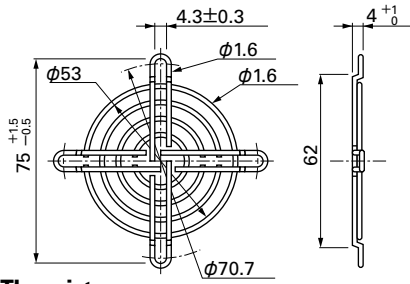


Options (Unit : mm)

Finger guards

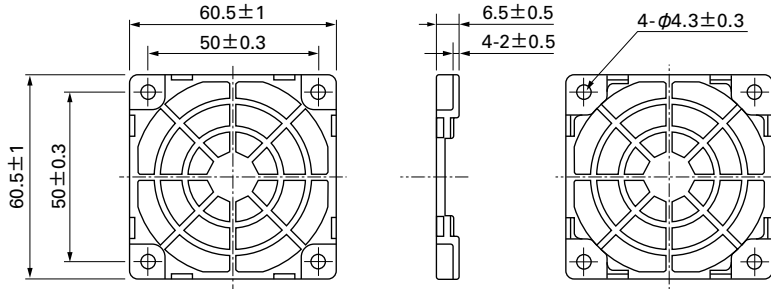
Model : 109-139E Surface treatment : Nickel-chrome plating (silver)
Color : Cation electropainting (black)

Inlet side, Outlet side



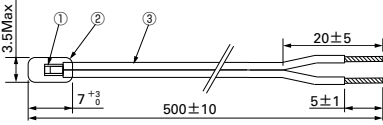
Resin finger guards

Model : 109-1003G



Thermistor

Model : 169-002



Number	Name	Standards, materials, etc.
①	Thermistor	Chip
②	Insulated cord	Epoxy resin
③	Lead	UL2555 CSA TR-64 AWG#28 (blue)

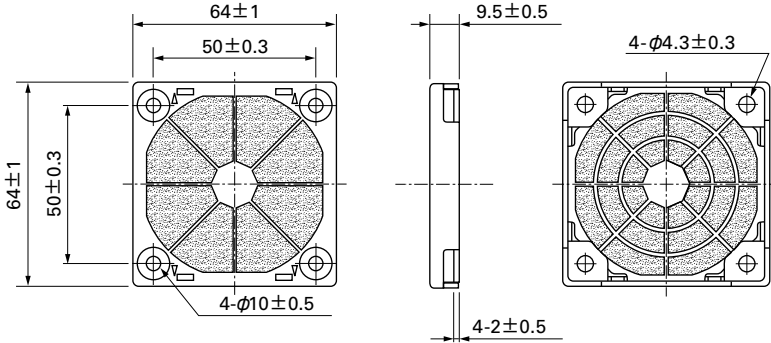
Item	Spec
2-1	Resistance R25 6.8KΩ ±3%
2-2	B constant B25/50 3950K ±2%
2-3	Maximum rated power 188mW (25°C under still air)
2-4	Insulation resistance 100MΩ or more (DC500V megger)
2-5	Dielectric strength No problem (AC1500V 1 minute)
2-6	Operating temperature range -30°C to +80°C
2-7	Storage temperature range -40°C to +100°C

Manufactured by OHIZUMI MFG CO.,LTD.

Mfr. Part No. 159-682-86 □□□

Resin filter kits

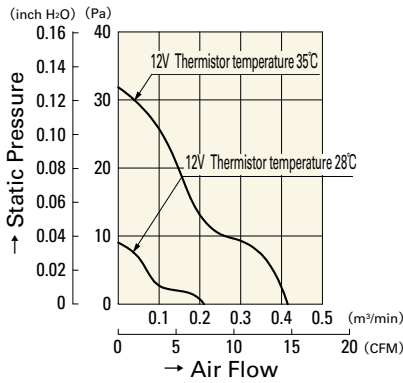
Model : 109-1003F13 (13PPI), 109-1003F20 (20PPI)
: 109-1003F30 (30PPI), 109-1003F40 (40PPI)



Thermal Speed Controlled Fan 60mm

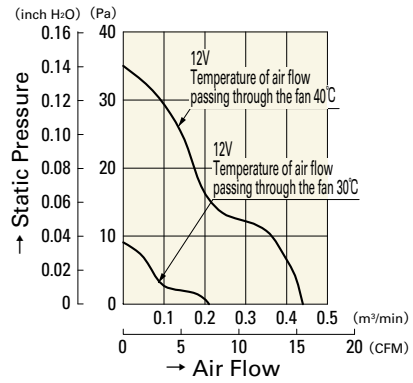
Air Flow and Static Pressure Characteristics

External thermistor model



109P0612T6H12

Built-in thermistor model

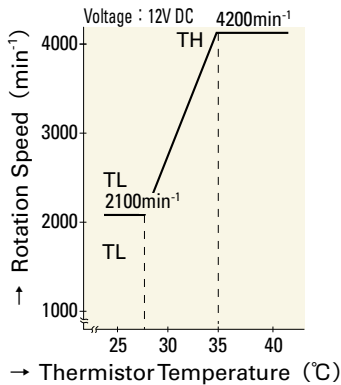


109P0612T6H122

Temperature-Rotation Speed Characteristics

External thermistor model

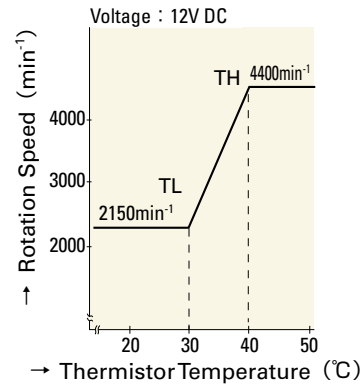
■ Characteristics of Thermistor-detected Temperature vs Speed



109P0612T6H12

Built-in thermistor model

■ Typical characteristics of temperature of air flowing through the fan versus rotation speed



109P0612T6H122

60mm

X-ON Electronics

Largest Supplier of Electrical and Electronic Components

Click to view similar products for [DC Fans](#) category:

Click to view products by [Sanyo Denki](#) manufacturer:

Other Similar products are found below :

[614R](#) [AUB0612L](#) [AFB0948HH-S687](#) [G2E085-AA05-10](#) [4318/12T](#) [AUB0912H-F00](#) [3412N/2ME](#) [W2G110-AM39-01](#) [8412GLV](#) [8412NGL-12](#) [6448-384](#) [4114N/17-251](#) [4318/2R](#) [4412F/2D](#) [424JMU](#) [4414/2HH](#) [4112 N/12GL-175](#) [9GA0912F402](#) [9GA0812B20011](#)
[AFB0824SHBAV1](#) [DV5214/2NP-230](#) [9GA0912H4021](#) [THC1548MGDJJ](#) [9GA0812B2001](#) [GFB1224SHG](#) [8500NU](#) [9WG1212E101-E](#)
[3241.124](#) [DC1203812W2B-2T0](#) [MF40060V1-1000U-G99](#) [DC0401012V2B-3T0](#) [ASFP14391](#) [ASFP64371](#) [ASFP64391](#) [ASFP84391](#)
[ASFP92391](#) [MF92251V3-1000U-G99](#) [9A0612G402](#) [AD5012HB-C71](#) [AD5012MB-C71](#) [ASFP84372](#) [ASFP64372](#) [31100-000440-RS](#)
[026758A](#) [514F](#) [MEC0381V1-000U-G99](#) [4292](#) [MF40101V2-1000U-A99](#) [MF60152V1-1000U-G99](#) [3610KL-04W-B50-D00](#)