

80mm sq.

San Ace 80

20mm thick, 25mm thick
External thermistor model /
Built-in thermistor model



Note: Optional external thermistors are sold separately.

General Specifications

- Material Frame: Plastics (Flammability: UL94V-0), Impeller: Plastics (Flammability: UL94V-1)
- Life Expectancy Varies for each model (L10: Survival rate: 90% at 60°C, rated voltage, and continuously run in a free air state)
- Lead Wire ⊕red ⊖black (Control) brown (Only for external thermistor type)
- Fail-safe The motor becomes high speed when the thermistor is unable to detect the temperature in case of open or short circuit etc. (Models equipped with a pulse sensor are excluded.)
- Storage Temperature... -30°C to +70°C (Non-condensing)

80×80×20mm (Mass : 100g)

Specifications External thermistor model

| Model No. | Rated Voltage [V] | Operating Voltage Range [V] | Rated Current [A] | Rated Input [W] | Rated Speed [min ⁻¹] | Air Flow [m ³ /min] [CFM] | Static Pressure [Pa] [inchH ₂ O] | SPL [dB(A)] | Operating Temperature [°C] | Life Expectancy [h] |
|---------------|-------------------|-----------------------------|-------------------|-----------------|----------------------------------|--------------------------------------|---|-------------|----------------------------|---------------------|
| 109P0812T6H12 | 12 | 10.2 to 13.8 | 0.18 | 2.16 | 2,900 | 0.84 29.7 | 29.4 0.118 | 31 | -10 to +60 | 60,000 |
| | | | 0.1 | 1.2 | 1,450 | 0.42 14.8 | 7.4 0.030 | 18 | | |

Note: The top row gives characteristics shown when the thermistor temperature is 35°C, while the bottom row gives characteristics shown when the thermistor temperature is 28°C (Thermistor: 169-002).

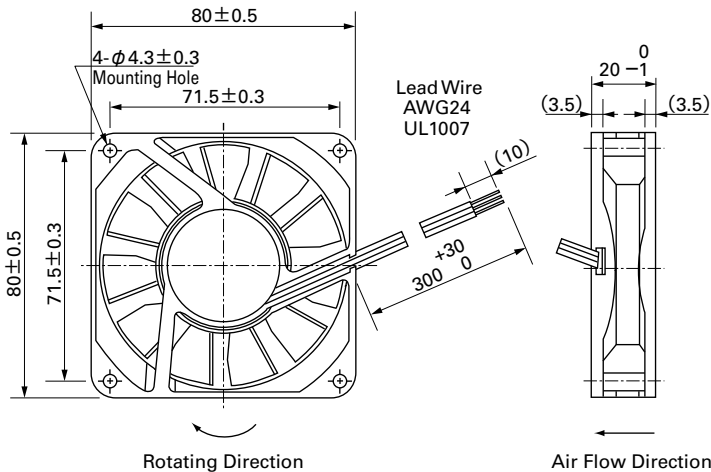
Built-in thermistor model

| Model No. | Rated Voltage [V] | Operating Voltage Range [V] | Rated Current [A] | Rated Input [W] | Rated Speed [min ⁻¹] | Air Flow [m ³ /min] [CFM] | Static Pressure [Pa] [inchH ₂ O] | SPL [dB(A)] | Operating Temperature [°C] | Life Expectancy [h] |
|----------------|-------------------|-----------------------------|-------------------|-----------------|----------------------------------|--------------------------------------|---|-------------|----------------------------|---------------------|
| 109P0812T6H122 | 12 | 10.2 to 13.8 | 0.18 | 2.16 | 3,050 | 0.88 31.0 | 32.5 0.131 | 32 | -10 to +60 | 60,000 |
| | | | 0.1 | 1.2 | 1,450 | 0.42 14.8 | 7.4 0.030 | 20 | | |

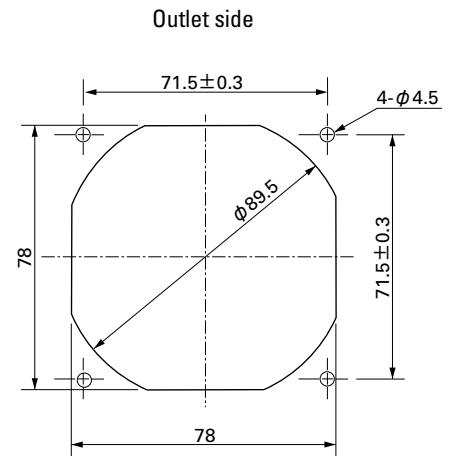
Note: The top row gives characteristics shown when the temperature is 40°C, while the bottom row gives characteristics shown when the temperature is 30°C.

Dimensions (Unit : mm)

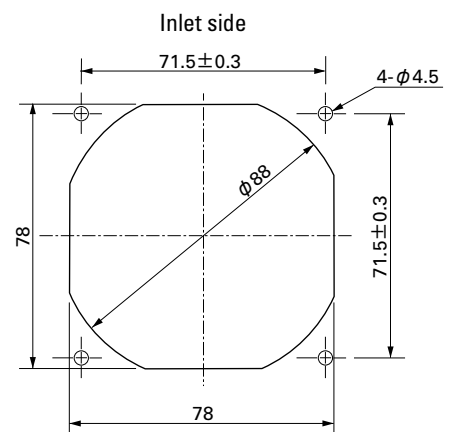
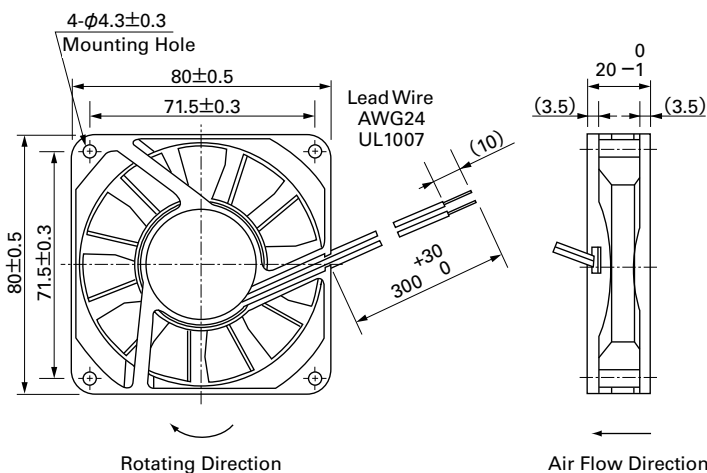
External thermistor model



Reference dimensions of mounting holes and vent opening (Unit : mm)



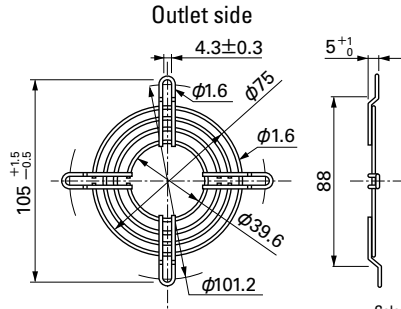
Built-in thermistor model



Options (Unit : mm)

Finger guards

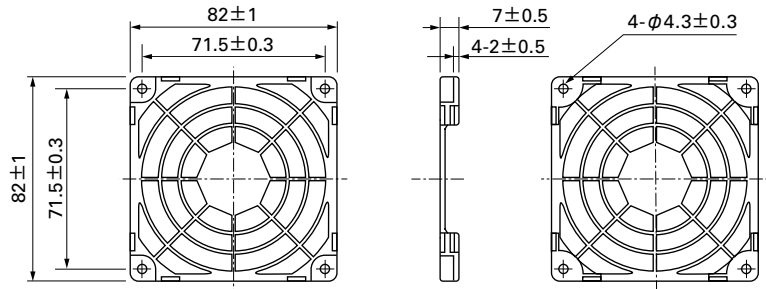
Model : 109-049C Surface treatment : Nickel-chrome plating (silver) Color : 109-049H : Cation electropainting (black)



Model : 109-049E Surface treatment : Nickel-chrome plating (silver) : 109-049H : Cation electropainting (black)

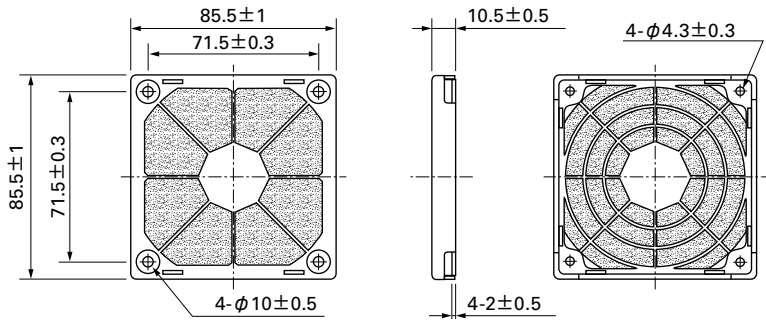
Resin finger guards

Model : 109-1002G



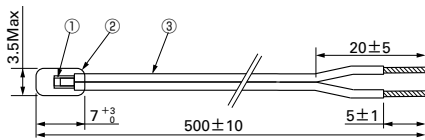
Resin filter kits

Model : 109-1002F13 (13PPI), 109-1002F20 (20PPI), 109-1002F30 (30PPI), 109-1002F40 (40PPI)



Thermistor

Model : 169-002



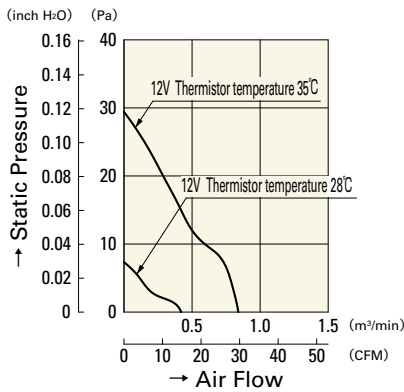
| Number | Name | Standards, materials, etc. |
|--------|----------------|--------------------------------|
| ① | Thermistor | Chip |
| ② | Insulated cord | Epoxy resin |
| ③ | Lead | UL2555 CSA TR-64 AWG#28 (blue) |

| Item | Spec |
|------|---|
| 2-1 | Resistance R25 6.8KΩ ±3% |
| 2-2 | B constant B25/50 3950K ±2% |
| 2-3 | Maximum rated power 188mW (25°C under still air) |
| 2-4 | Insulation resistance 100MΩ or more (DC500V megger) |
| 2-5 | Dielectric strength No problem (AC1500V 1 minute) |
| 2-6 | Operating temperature range -30°C to +80°C |
| 2-7 | Storage temperature range -40°C to +100°C |

Manufactured by OHIZUMI MFG CO.,LTD.
Mfr. Part No. 159-682-86 □□□

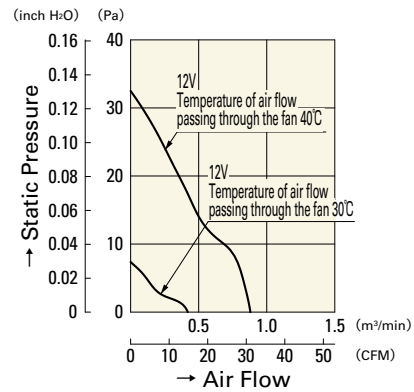
Air Flow and Static Pressure Characteristics

External thermistor model



109P0812T6H12

Built-in thermistor model



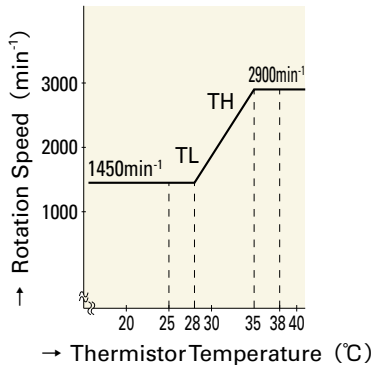
109P0812T6H122

Temperature-Rotation Speed Characteristics

External thermistor model

■ Characteristics of Thermistor-detected Temperature vs Speed

Voltage : 12V DC

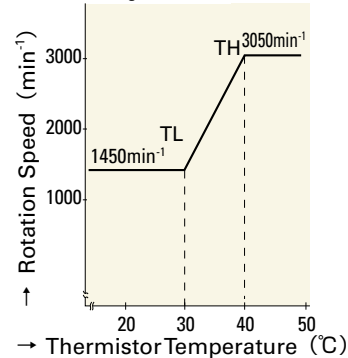


109P0812T6H12

Built-in thermistor model

■ Typical characteristics of temperature of air flowing through the fan versus rotation speed

Voltage : 12V DC



109P0812T6H122

X-ON Electronics

Largest Supplier of Electrical and Electronic Components

Click to view similar products for [DC Fans](#) category:

Click to view products by [Sanyo Denki](#) manufacturer:

Other Similar products are found below :

[614R](#) [AUB0612L](#) [AFB0948HH-S687](#) [G2E085-AA05-10](#) [4318/12T](#) [AUB0912H-F00](#) [3412N/2ME](#) [W2G110-AM39-01](#) [8412GLV](#) [8412NGL-12](#) [6448-384](#) [4114N/17-251](#) [4318/2R](#) [4412F/2D](#) [424JMU](#) [4414/2HH](#) [4112 N/12GL-175](#) [9GA0912F402](#) [9GA0812B20011](#)
[AFB0824SHBAV1](#) [DV5214/2NP-230](#) [9GA0912H4021](#) [THC1548MGDJJ](#) [9GA0812B2001](#) [GFB1224SHG](#) [8500NU](#) [9WG1212E101-E](#)
[3241.124](#) [DC0401012V2B-3T0](#) [ASFP14391](#) [ASFP64371](#) [ASFP64391](#) [ASFP84391](#) [ASFP92391](#) [9A0612G402](#) [AD5012HB-C71](#)
[AD5012MB-C71](#) [ASFP84372](#) [ASFP64372](#) [31100-000440-RS](#) [ASFP14372](#) [ASFP16371](#) [ASFP40770](#) [ASFP42770](#) [ASFP44770](#) [ASFP64392](#)
[ASFP82392](#) [ASFP84392](#) [ASFP92371](#) [ASFP92392](#)