

DC Fan Motors

Splash Proof Fan □ 120mm

SAN ACE 120W



Splash Proof Fans

General specifications IP55 (Dust resistant, Machine protected against water jets)

Life expectancy100,000 hours, indoor environment (survival rate: 90% at 60°C, rated voltage, and continuously run in a free air state)

Motor protection system ..Current cut system (with reverse-connection protection)

Dielectric strength50/60 Hz, 500 VAC, 1 minute
(between lead conductor and frame)

Operating thermally range -10°C to +60°C (non-condensing)

Fan power leadH speed, ⊕ red, ⊖ black
M speed, ⊕ red, ⊖ blue

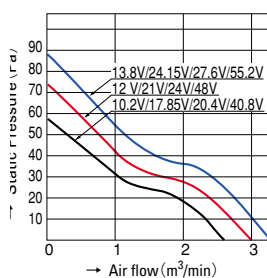
38mm thick

Specifications

Model No	Rated voltage (V)	Operating voltage range (V)	Rated current (A)	Rated input (W)	Rated rotating speed (min ⁻¹)	Air flow (m ³ /min)	(CFM)	Static pressure (Pa)	Noise (dB[A])	Mass (g)
109W1212H102	12	10.2~13.8	0.4	4.8	2,850	3.0	106.0	70.5	41	420
109W1212M102			0.22	2.64	2,150	2.25	79.4	41.1	34	
109W1221H102	21	17.8~24.2	0.24	5.04	2,850	3.0	106.0	70.5	41	
109W1224H102			0.21	5.04	2,850	3.0	106.0	70.5	41	
109W1224M102	24	20.4~27.6	0.1	2.4	2,150	2.25	79.4	41.1	34	
109W1248H102			0.12	5.76	2,850	3.0	106.0	70.5	41	
109W1248M102	48	40.8~55.2	0.06	2.88	2,150	2.25	79.4	41.1	34	

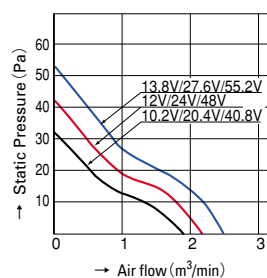
Typical air flow and static pressure characteristics

H speed



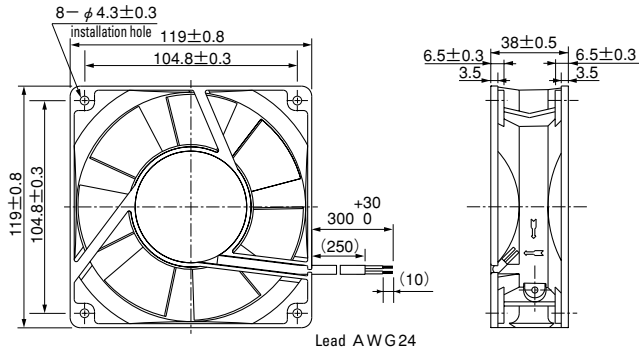
109W1212H102
109W1221H102
109W1224H102
109W1248H102

M speed



109W1212M102
109W1224M102
109W1248M102

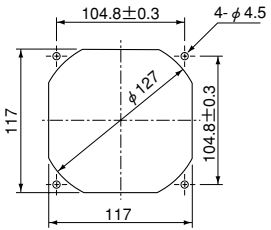
Dimensions (unit : mm)



Splash Proof Fans

Reference dimensional diagram for installation holes (unit : mm)

Discharge sides • Suction sides



120mm

SANYO DENKI

1-15-1, Kita-otsuka, Toshima-ku, Tokyo 170-8451, Japan. PHONE : +81 3 3917 5151
Home Page: <http://www.sanyodenki.co.jp>

X-ON Electronics

Largest Supplier of Electrical and Electronic Components

Click to view similar products for [DC Fans](#) category:

Click to view products by [Sanyo Denki](#) manufacturer:

Other Similar products are found below :

[614R](#) [AUB0612L](#) [AFB0948HH-S687](#) [G2E085-AA05-10](#) [4318/12T](#) [AUB0912H-F00](#) [3412N/2ME](#) [W2G110-AM39-01](#) [8412GLV](#) [8412NGL-12](#) [6448-384](#) [4114N/17-251](#) [4318/2R](#) [4412F/2D](#) [424JMU](#) [4414/2HH](#) [4112 N/12GL-175](#) [9GA0912F402](#) [9GA0812B20011](#)
[AFB0824SHBAV1](#) [DV5214/2NP-230](#) [9GA0912H4021](#) [THC1548MGDJJ](#) [9GA0812B2001](#) [GFB1224SHG](#) [8500NU](#) [9WG1212E101-E](#)
[3241.124](#) [DC0401012V2B-3T0](#) [ASFP14391](#) [ASFP64371](#) [ASFP64391](#) [ASFP84391](#) [ASFP92391](#) [9A0612G402](#) [AD5012HB-C71](#)
[AD5012MB-C71](#) [ASFP84372](#) [ASFP64372](#) [31100-000440-RS](#) [ASFP14372](#) [ASFP16371](#) [ASFP16372](#) [ASFP40770](#) [ASFP42770](#) [ASFP44770](#)
[ASFP64392](#) [ASFP82392](#) [ASFP84392](#) [ASFP92371](#)