



# 60×60×25 mm

San Cooler 60 9A type

## General Specifications

- Material ..... Frame: Plastic (Flammability: UL 94V-0), Impeller: Plastic (Flammability: UL 94V-0)
- Expected life ..... See the table below. (L10 life: 90% survival rate for continuous operation in free air at 60°C, rated voltage)
- Motor protection function ..... Locked rotor burnout protection, Reverse polarity protection  
For details, please refer to p. 547.
- Dielectric strength ..... 50/60 Hz, 500 VAC, for 1 minute (between lead wire conductors and frame)
- Insulation resistance ..... 10 MΩ or more with a 500 VDC megger (between lead wire conductors and frame)
- Sound pressure level (SPL) ..... At 1 m away from the air inlet
- Storage temperature ..... -30 to +70°C (Non-condensing)
- Lead wire ..... ⊕Red ⊖Black or Blue (Sensor) Yellow
- Mass ..... 80 g

## Specifications

The models listed below **have ribs and pulse sensors.** For models without ribs, append "1" to the end of model numbers.

Model no.	Rated voltage [V]	Operating voltage range [V]	Rated current [A]	Rated input [W]	Rated speed [min <sup>-1</sup> ]	Max. airflow [m <sup>3</sup> /min] [CFM]	Max. static pressure [Pa] [inchH <sub>2</sub> O]	SPL [dB (A)]	Operating temperature [°C]	Expected life [h]		
<b>9A0612G401</b>	12	6 to 13.2	0.24	2.88	5600	0.78 27.6	87.3 0.351	39	-20 to +60	30000/60°C		
<b>9A0612S401</b>			0.17	2.04	4600	0.65 23.0	56.8 0.228	33				
<b>9A0612H401</b>		6 to 13.8	0.11	1.32	3800	0.53 18.7	40.2 0.161	28			-20 to +70	40000/60°C
<b>9A0612F401</b>			0.09	1.08	3200	0.44 15.5	29.4 0.118	24				
<b>9A0612M401</b>			7 to 13.8	0.06	0.72	2600	0.36 12.7	19.6 0.079				
<b>9A0624G401</b>	24	12 to 27.6	0.13	3.12	5600	0.78 27.6	87.3 0.351	39	-20 to +60	30000/60°C		
<b>9A0624S401</b>			0.08	1.92	4600	0.65 23.0	56.8 0.228	33				
<b>9A0624H401</b>		12 to 27.6	0.06	1.44	3800	0.53 18.7	40.2 0.161	28			-20 to +70	40000/60°C
<b>9A0624F401</b>			0.05	1.2	3200	0.44 15.5	29.4 0.118	24				
<b>9A0624M401</b>			14 to 27.6	0.04	0.96	2600	0.36 12.7	19.6 0.079				

The following sensor and control options are available for selection.

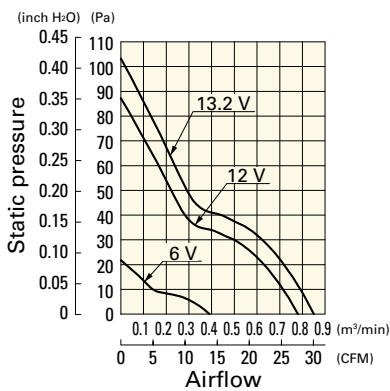
Available for all models. **Without sensor**

Differs according to the model. Refer to the table on p. 565. **Lock sensor** **PWM control**

## Airflow - Static Pressure Characteristics

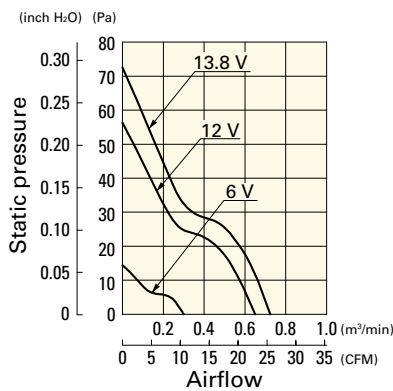
**9A0612G401** With pulse sensor

Operating voltage range



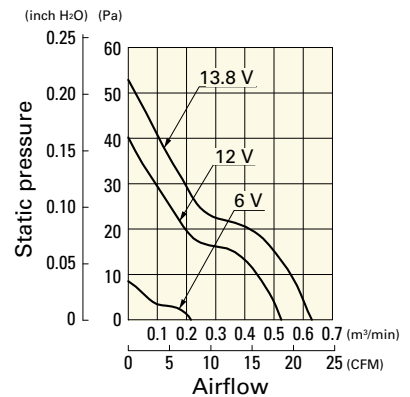
**9A0612S401** With pulse sensor

Operating voltage range



**9A0612H401** With pulse sensor

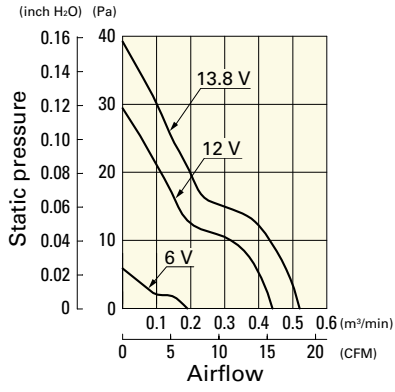
Operating voltage range



## Airflow - Static Pressure Characteristics

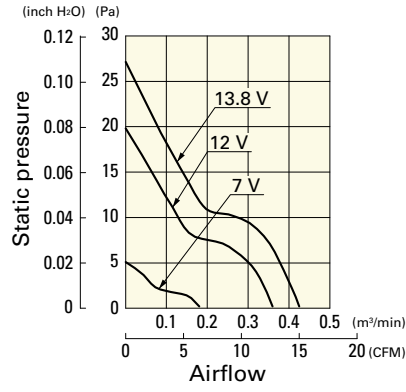
**9A0612F401** With pulse sensor

Operating voltage range



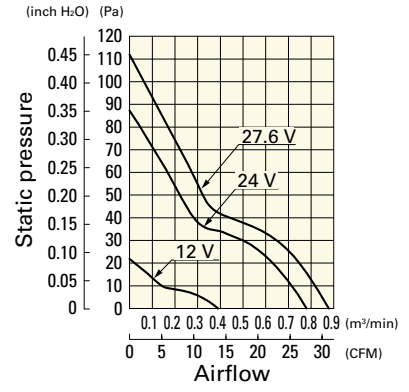
**9A0612M401** With pulse sensor

Operating voltage range



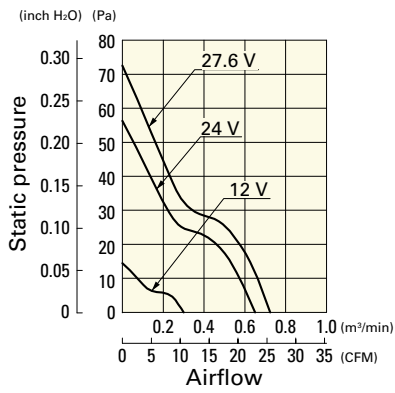
**9A0624G401** With pulse sensor

Operating voltage range



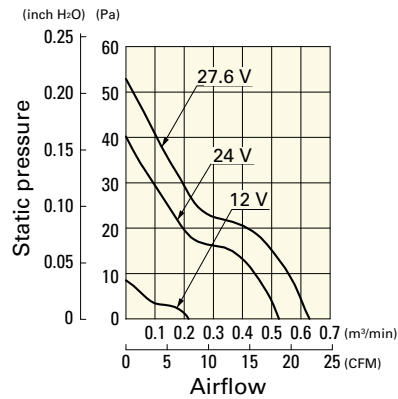
**9A0624S401** With pulse sensor

Operating voltage range



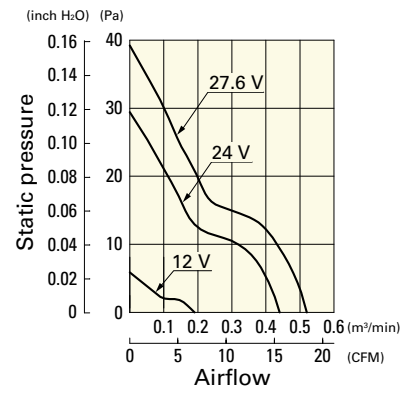
**9A0624H401** With pulse sensor

Operating voltage range



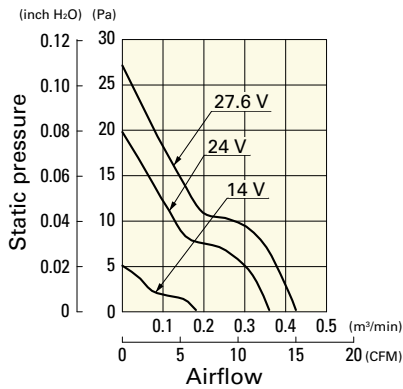
**9A0624F401** With pulse sensor

Operating voltage range

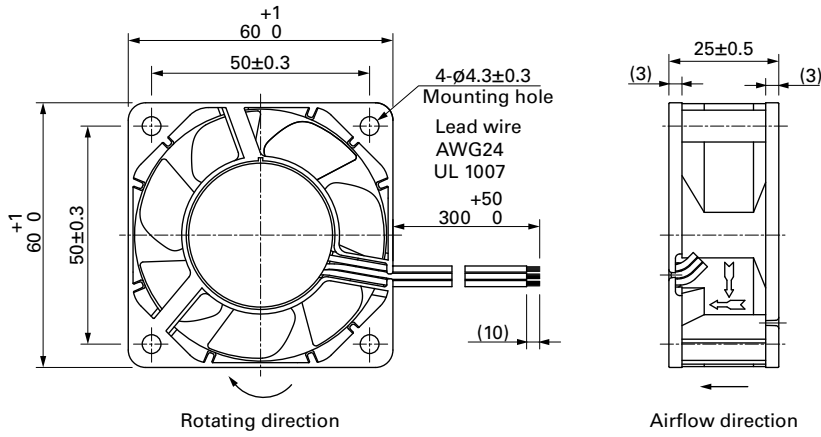


**9A0624M401** With pulse sensor

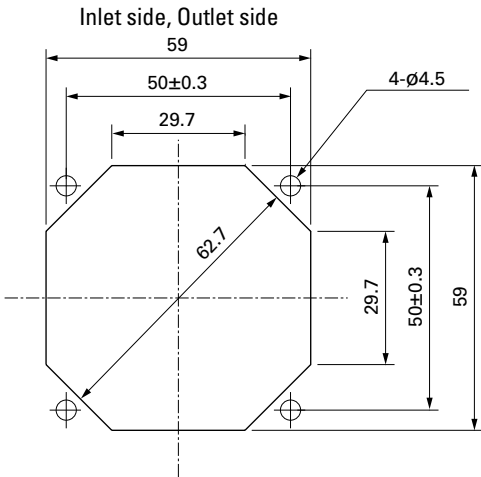
Operating voltage range



**Dimensions (unit: mm)** (With ribs)



**Reference Dimensions of Mounting Holes and Vent Opening (unit: mm)**



**Options**

**Finger guards**

page: p. 532

Model no.: 109-139E, 109-139H

**Resin finger guards**

page: p. 539

Model no.: 109-1003G

**Resin filter kits**

page: p. 540

Model no.: 109-1003F13 (13PPI), 109-1003F20 (20PPI),  
109-1003F30 (30PPI), 109-1003F40 (40PPI)

## X-ON Electronics

Largest Supplier of Electrical and Electronic Components

*Click to view similar products for [DC Fans](#) category:*

*Click to view products by [Sanyo Denki](#) manufacturer:*

Other Similar products are found below :

[614R](#) [AUB0612L](#) [AFB0948HH-S687](#) [G2E085-AA05-10](#) [4318/12T](#) [AUB0912H-F00](#) [3412N/2ME](#) [W2G110-AM39-01](#) [8412GLV](#) [8412NGL-12](#) [6448-384](#) [4114N/17-251](#) [4318/2R](#) [4412F/2D](#) [424JMU](#) [4414/2HH](#) [4112 N/12GL-175](#) [9GA0912F402](#) [9GA0812B20011](#)  
[AFB0824SHBAV1](#) [DV5214/2NP-230](#) [9GA0912H4021](#) [THC1548MGDJJ](#) [9GA0812B2001](#) [GFB1224SHG](#) [8500NU](#) [9WG1212E101-E](#)  
[3241.124](#) [DC0401012V2B-3T0](#) [ASFP14391](#) [ASFP64371](#) [ASFP64391](#) [ASFP84391](#) [ASFP92391](#) [9A0612G402](#) [AD5012HB-C71](#)  
[AD5012MB-C71](#) [ASFP84372](#) [ASFP64372](#) [31100-000440-RS](#) [ASFP14372](#) [ASFP16371](#) [ASFP16372](#) [ASFP40770](#) [ASFP42770](#) [ASFP44770](#)  
[ASFP64392](#) [ASFP82392](#) [ASFP84392](#) [ASFP92371](#)