



Ø 172×150×51 mm

San Ace 172GP 9GP type

Sidecut type

General Specifications

- Material Frame: Aluminum (Black coating), Impeller: Plastic (Flammability: UL 94V-1)
- Expected life See the table below. (L10 life: 90% survival rate for continuous operation in free air at 60°C, rated voltage)
- Motor protection function Locked rotor burnout protection, Reverse polarity protection
For details, please refer to p. 529.
- Dielectric strength 50/60 Hz, 500 VAC, for 1 minute (between lead wire conductors and frame)
- Insulation resistance 10 MΩ or more with a 500 VDC megger (between lead wire conductors and frame)
- Sound pressure level (SPL) At 1 m away from the air inlet
- Storage temperature -30 to +70°C (Non-condensing)
- Lead wire ⊕Red ⊖Black (Sensor) Yellow (Control) Brown
- Mass 880 g
- G-force tolerance 735 m/s² (75 G) for 1000 hours
(Measured with our G-force testing machine.)

Specifications

The models listed below **have pulse sensors with PWM control function.**

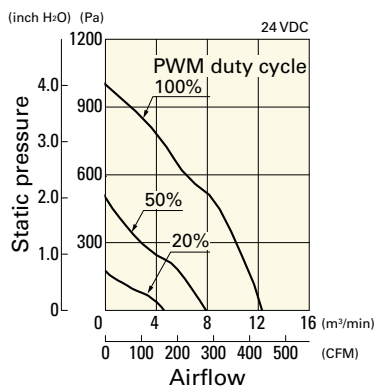
Model no.	Rated voltage [V]	Operating voltage range [V]	PWM duty cycle* [%]	Rated current [A]	Rated input [W]	Rated speed [min ⁻¹]	Max. airflow [m ³ /min] [CFM]	Max. static pressure [Pa] [inchH ₂ O]	SPL [dB (A)]	Operating temperature [°C]	Expected life [h]
9GP5724P5H001	24	16 to 30	100	5.0	120	8000	12.3 434	1000 4.02	77	-20 to +70	40000/60°C (70000/40°C)
			20	0.5	12.0	3000	4.6 162	175 0.7	51		
9GP5748P5G001	48	36 to 72	100	5.0	240	10500	16.1 568	1600 6.43	83		
			20	0.41	19.7	3700	5.6 198	250 1.01	57		

* PWM frequency: 25 kHz. Fan does not rotate when PWM duty cycle is 0%.

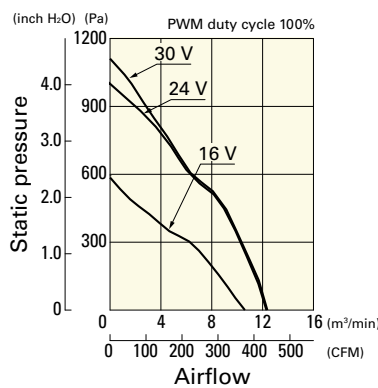
Airflow - Static Pressure Characteristics / PWM Duty - Speed Characteristics Example

9GP5724P5H001 With pulse sensor with PWM control function

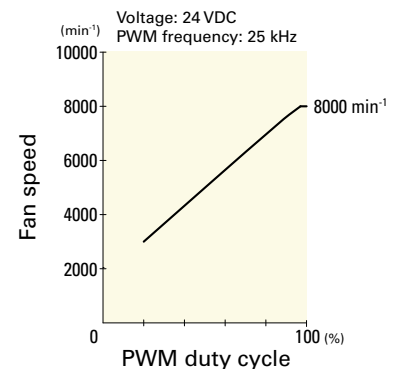
PWM duty cycle



Operating voltage range



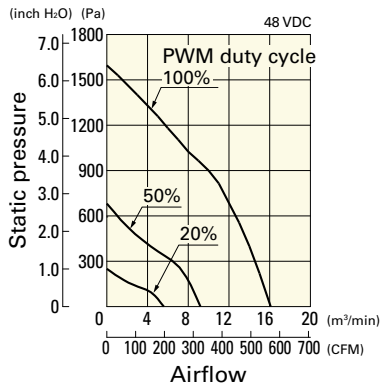
PWM duty - Speed characteristics example



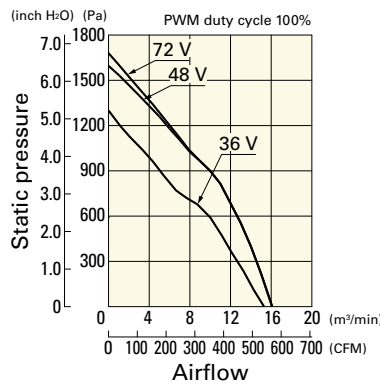
Airflow - Static Pressure Characteristics / PWM Duty - Speed Characteristics Example

9GP5748P5G001 With pulse sensor with PWM control function

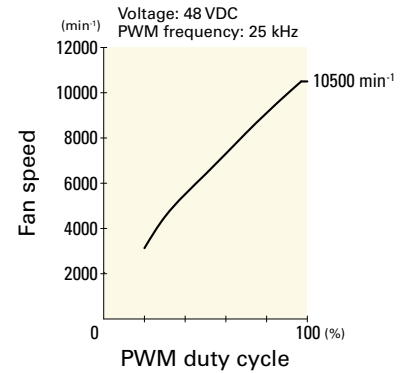
PWM duty cycle



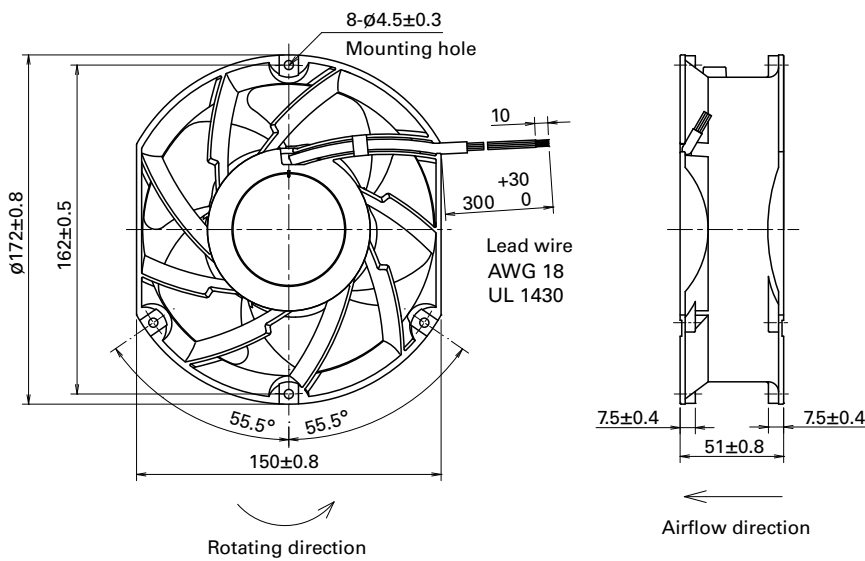
Operating voltage range



PWM duty - Speed characteristics example



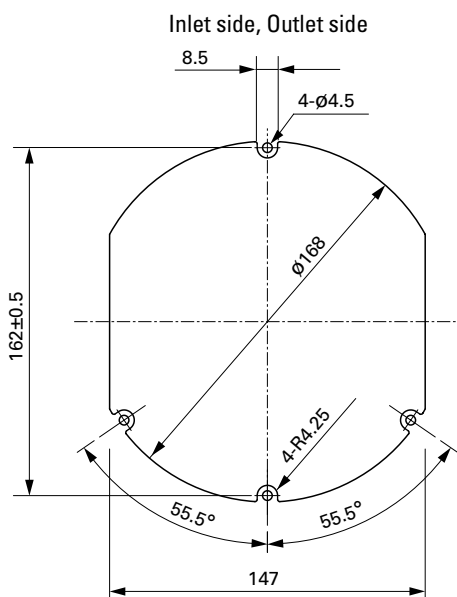
Dimensions (unit: mm)



DC

G Proof Fan \varnothing 172 mm

Reference Dimensions of Mounting Holes and Vent Opening (unit: mm)



Options

Finger guards

page: p. 515

Model no.: 109-319J, 109-319E, 109-319H, 109-320

Centrifugal Fan

Cooling fan blows air in a centrifugal course. It features high static pressure.

Related product: Splash Proof Centrifugal Fan p. 319

Model Numbering System Not every combination of the following codes or characters is available. Contact us for an available combination.

9T	M	48	P	4	H	01
Type name	Impeller size	Voltage	PWM control function	Thickness	Speed code	Individual customer's spec. (2 to 3 digits)

Bracket-mounted Centrifugal Fan

9B1T	P	48	P	0	H	001
Type name	Impeller size	Voltage	PWM control function	Thickness	Speed code	Individual customer's spec. (3 digits)

Type name	9B1T	9T				
Impeller size (mm)	G, GA	J	M	N	P	S
	∅175	∅133	∅100	∅150	∅221	∅225
Voltage (V)	24	48				
	24	48				
Thickness (mm)	0	1	4			
	69 min., 99, 119	35	25			
Speed code	H	G	etc.			

How to Read Specifications (DC fan)

Model no.	Rated voltage [V]	Operating voltage range [V]	Rated current [A]	Rated input [W]	Rated speed [min ⁻¹]	Max. airflow [m ³ /min] [CFM]	Max. static pressure [Pa] [inchH ₂ O]	SPL [dB (A)]	Operating temperature [°C]	Expected life [h]
9GA0412G7001	12	7 to 13.8	0.17	2.04	13100	0.36 12.7	192 0.77	42	-20 to +70	40000/60°C (70000/40°C)

- Rated voltage This is the necessary voltage to drive the fan. E.g.) 12 VDC, 24 VDC, 48 VDC
- Operating voltage range The voltage range over which fan operation is guaranteed.
- Rated current The current when the fan is operating at rated voltage (at free air).
- Rated input The power value when the fan is operating at rated voltage (at free air).
- Rated speed The speed when the fan is operating at rated voltage (at free air).
- Max. airflow The maximum airflow that the fan can generate during rated operation (measured with our double chamber measuring device). Airflow is the volume of air generated by the fan per unit of time.
- Max. static pressure The maximum static pressure value that the fan can produce during rated operation (measured with our double chamber measuring device). Static pressure indicates a fan's ability to move air against resistance due to the internal structure of the device to which the fan is installed.
- SPL SPL stands for Sound Pressure Level. The noise level during the fan's rated operation. Please refer to the technical material section for the measurement method.
- Operating temperature The temperature range over which fan operation is guaranteed (Non- condensing).
- Expected life Service life hours that 90% of bearings will survive without failing when continuously operated at the rated voltage and 60°C temperature. Expected life at 40°C is for reference only. For more information, please refer to the technical material section.

X-ON Electronics

Largest Supplier of Electrical and Electronic Components

Click to view similar products for [DC Fans](#) category:

Click to view products by [Sanyo Denki](#) manufacturer:

Other Similar products are found below :

[614R](#) [AUB0612L](#) [AFB0948HH-S687](#) [G2E085-AA05-10](#) [4318/12T](#) [AUB0912H-F00](#) [3412N/2ME](#) [W2G110-AM39-01](#) [8412GLV](#) [8412NGL-12](#) [6448-384](#) [4114N/17-251](#) [4318/2R](#) [4412F/2D](#) [424JMU](#) [4414/2HH](#) [4112 N/12GL-175](#) [9GA0912F402](#) [9GA0812B20011](#)
[AFB0824SHBAV1](#) [DV5214/2NP-230](#) [9GA0912H4021](#) [THC1548MGDJJ](#) [9GA0812B2001](#) [GFB1224SHG](#) [8500NU](#) [9WG1212E101-E](#)
[3241.124](#) [DC0401012V2B-3T0](#) [ASFP14391](#) [ASFP64371](#) [ASFP64391](#) [ASFP84391](#) [ASFP92391](#) [9A0612G402](#) [AD5012HB-C71](#)
[AD5012MB-C71](#) [ASFP84372](#) [ASFP64372](#) [31100-000440-RS](#) [026758A](#) [514F](#) [MEC0381V1-000U-G99](#) [4292](#) [MF60152V1-1000U-G99](#)
[3610KL-04W-B50-D00](#) [109P0412K3023](#) [EE92251B1-000U-F99](#) [8218J/2H4P](#) [PF60381B1-000U-S99](#)