

140mm sq.

San Ace 140L



Model no. 9LB1424B501, 9LB1448F501 are not certified.

General Specifications

- Material Frame: Aluminum,
Impeller: Plastics (Flammability: UL94V-1)
- Expected Life Refer to specifications (L10:Survival rate: 90% at 60°C ,
rated voltage, and continuously run in a free air state)
- Lead Wire ⊕red ⊖black or blue (Sensor) yellow
- Storage Temperature -30°C to +70°C (Non-condensing)

140×140×51mm (Mass : 610g) **9LB type**

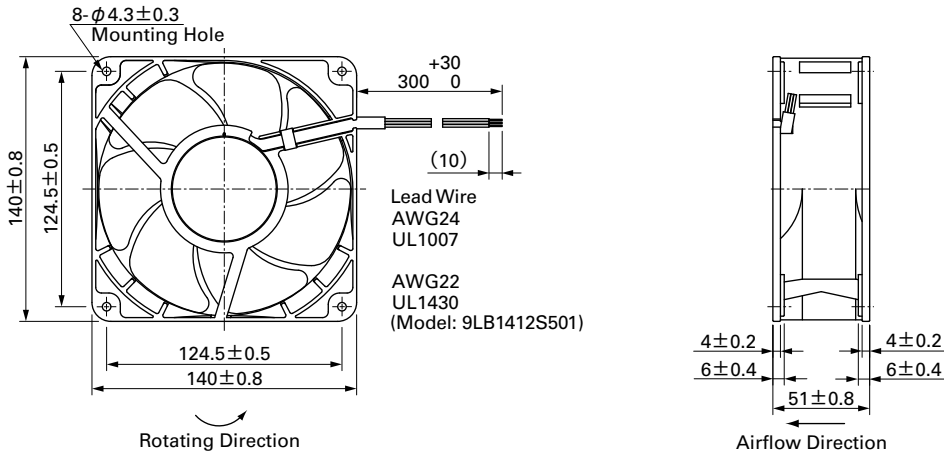
Specifications

The following nos. **have pulse sensors.**

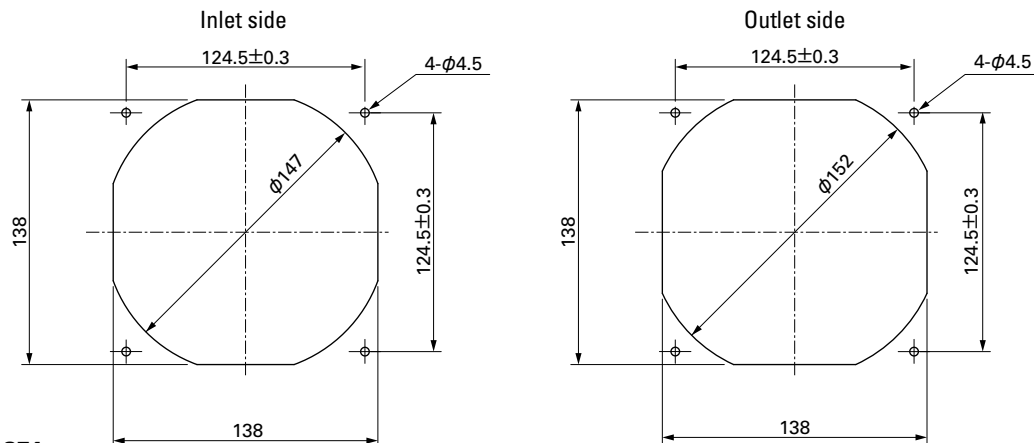
Model No.	Rated Voltage [V]	Operating Voltage Range [V]	Rated Current [A]	Rated Input [W]	Rated Speed [min ⁻¹]	Max. Airflow [m ³ /min] [CFM]	Max. Static Pressure [Pa] [inchH ₂ O]	SPL [dB(A)]	Operating Temperature [°C]	Expected Life [h]
9LB1412S501	12	10.2 to 13.8	2.7	32.4	4,200	8.1 286.2	240 0.96	57	- 20 to + 70	60,000/60°C
9LB1412H501			1.25	15.0	3,100	5.9 208.5	130 0.52	49		100,000/60°C
9LB1412M501			0.46	5.52	2,050	3.9 138	63 0.25	39		60,000/60°C
9LB1424S501	24	20.4 to 27.6	1.38	33.12	4,200	8.1 286.2	240 0.96	57		60,000/60°C
9LB1424B501			0.97	23.3	3,700	7.1 251	186 0.75	55		100,000/60°C
9LB1424H501			0.60	14.4	3,100	5.9 208.5	130 0.52	49		60,000/60°C
9LB1424M501			0.22	5.28	2,050	3.9 138	63 0.25	39		100,000/60°C
9LB1448S501	48	40.8 to 55.2	0.71	34.08	4,200	8.1 286.2	240 0.96	57		60,000/60°C
9LB1448H501			0.27	12.96	3,100	5.9 208.5	130 0.52	49		100,000/60°C
9LB1448F501			0.18	8.6	2,550	4.8 169	91 0.37	44		100,000/60°C
9LB1448M501			0.12	5.76	2,050	3.9 138	63 0.25	39		

Other sensor specifications are available as options. Please refer to the index (p. 509).

Dimensions (unit: mm)



Reference Dimensions of Mounting Holes and Vent Opening (unit: mm)



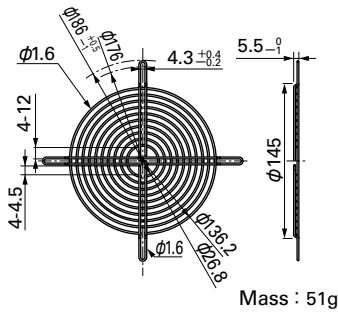
Options (unit: mm)

Finger Guards

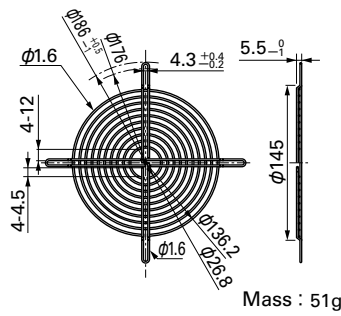
Model : 109-719 Surface treatment : Nickel-chrome plating (silver) Color

Model : 109-719H Surface treatment : Cation electropainting (black) Color

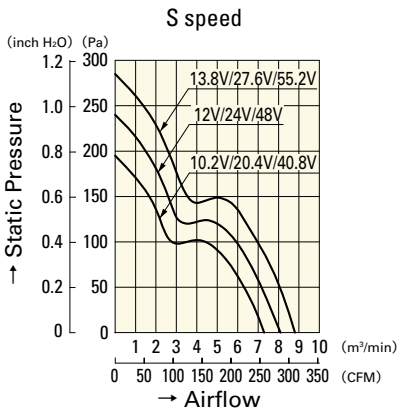
Inlet side, Outlet side



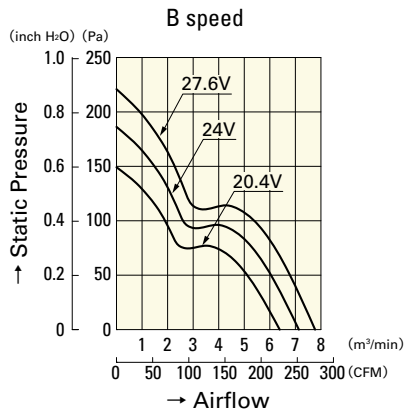
Inlet side, Outlet side



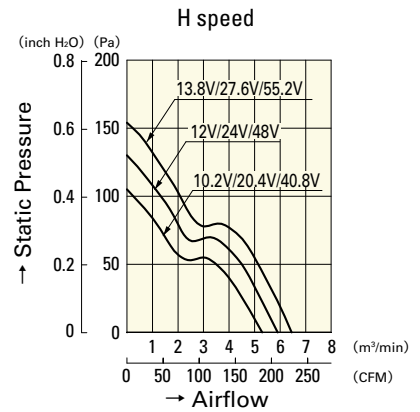
Airflow - Static Pressure Characteristics



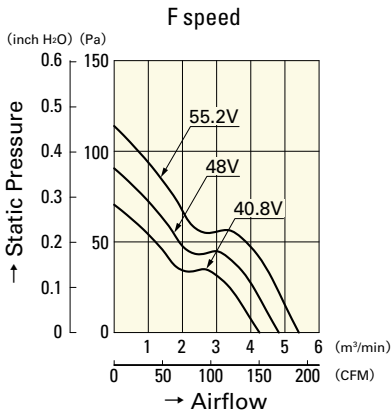
- 9LB1412S501**
- 9LB1424S501**
- 9LB1448S501**



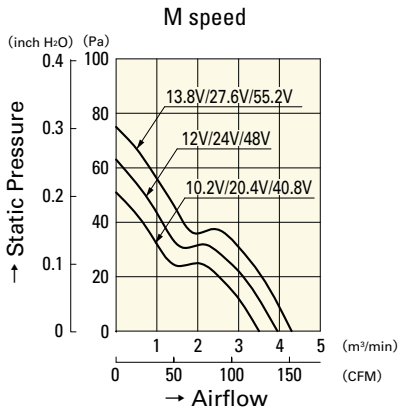
- 9LB1424B501**



- 9LB1412H501**
- 9LB1424H501**
- 9LB1448H501**



- 9LB1448F501**



- 9LB1412M501**
- 9LB1424M501**
- 9LB1448M501**

DC
Long Life Fan 140mm

X-ON Electronics

Largest Supplier of Electrical and Electronic Components

Click to view similar products for [DC Fans](#) category:

Click to view products by [Sanyo Denki](#) manufacturer:

Other Similar products are found below :

[614R](#) [AUB0612L](#) [AFB0948HH-S687](#) [G2E085-AA05-10](#) [4318/12T](#) [AUB0912H-F00](#) [3412N/2ME](#) [W2G110-AM39-01](#) [8412GLV](#) [8412NGL-12](#) [6448-384](#) [4114N/17-251](#) [4318/2R](#) [4412F/2D](#) [424JMU](#) [4414/2HH](#) [4112 N/12GL-175](#) [9GA0912F402](#) [9GA0812B20011](#)
[AFB0824SHBAV1](#) [DV5214/2NP-230](#) [9GA0912H4021](#) [THC1548MGDJJ](#) [9GA0812B2001](#) [GFB1224SHG](#) [8500NU](#) [9WG1212E101-E](#)
[3241.124](#) [DC0401012V2B-3T0](#) [ASFP14391](#) [ASFP64371](#) [ASFP64391](#) [ASFP84391](#) [ASFP92391](#) [9A0612G402](#) [AD5012HB-C71](#)
[AD5012MB-C71](#) [ASFP84372](#) [ASFP64372](#) [31100-000440-RS](#) [026758A](#) [514F](#) [MEC0381V1-000U-G99](#) [4292](#) [MF60152V1-1000U-G99](#)
[3610KL-04W-B50-D00](#) [109P0412K3023](#) [EE92251B1-000U-F99](#) [8218J/2H4P](#) [PF60381B1-000U-S99](#)