



# 60×60×25 mm

San Ace 60W 9WP type

## General Specifications

- Material ..... Frame: Plastic (Flammability: UL 94V-0), Impeller: Plastic (Flammability: UL 94V-1)
- Expected life ..... See the table below. (L10 life: 90% survival rate for continuous operation in indoor free air at 60°C, rated voltage)
- Motor protection function ..... Locked rotor burnout protection, Reverse polarity protection  
For details, please refer to p. 547.
- Dielectric strength ..... 50/60 Hz, 500 VAC, for 1 minute (between lead wire conductors and frame)
- Insulation resistance ..... 10 MΩ or more with a 500 VDC megger (between lead wire conductors and frame)
- Sound pressure level (SPL) ..... At 1 m away from the air inlet
- Storage temperature ..... -30 to +70°C (Non-condensing)
- Lead wire ..... ⊕Red ⊖Black (Sensor) Yellow
- Mass ..... 110 g
- Ingress protection ..... IP68

## Specifications

The models listed below **have ribs and pulse sensors**. For models without ribs, append "1" to the end of model numbers.

Model no.	Rated voltage [V]	Operating voltage range [V]	Rated current [A]	Rated input [W]	Rated speed [min <sup>-1</sup> ]	Max. airflow [m <sup>3</sup> /min] [CFM]	Max. static pressure [Pa] [inchH <sub>2</sub> O]	SPL [dB (A)]	Operating temperature [°C]	Expected life [h]
9WP0612G401	12	10.2 to 13.2	0.21	2.52	5600	0.78 27.5	87.3 0.351	39	-20 to +60	40000/60°C
9WP0612D401			0.21	2.52	5150	0.72 25	73.5 0.3	37		
9WP0612H401		10.2 to 13.8	0.11	1.32	3800	0.53 18.7	40.2 0.161	28	-20 to +70	60000/60°C
9WP0624J401	24	21.6 to 26.4	0.2	4.8	7600	1.06 37.1	155.0 0.622	44	-20 to +60	40000/60°C
9WP0624G401			0.13	3.12	5600	0.78 27.5	87.3 0.351	39		
9WP0624H401		20.4 to 27.6	0.06	1.44	3800	0.53 18.7	40.2 0.161	28	-20 to +70	60000/60°C
9WP0648H401	48	40 to 53	0.04	1.92	3800	0.53 18.7	40.2 0.161	28	-20 to +70	60000/60°C

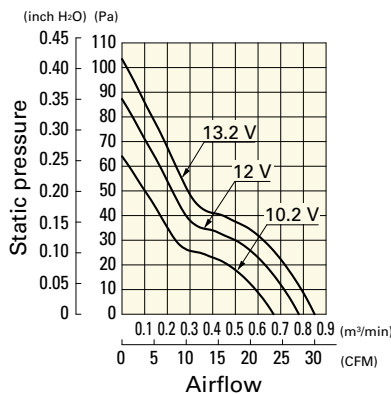
The following sensor and control options are available for selection.

Differs according to the model. Refer to the table on p. 580. **Without sensor** **Lock sensor** **PWM control**

## Airflow - Static Pressure Characteristics

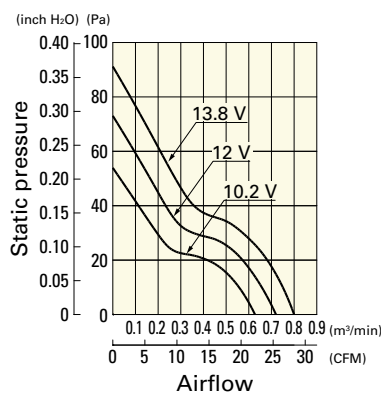
9WP0612G401 With pulse sensor

Operating voltage range



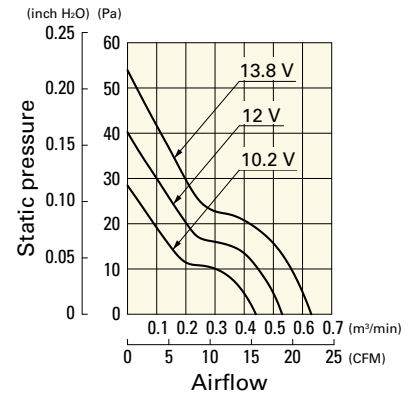
9WP0612D401 With pulse sensor

Operating voltage range



9WP0612H401 With pulse sensor

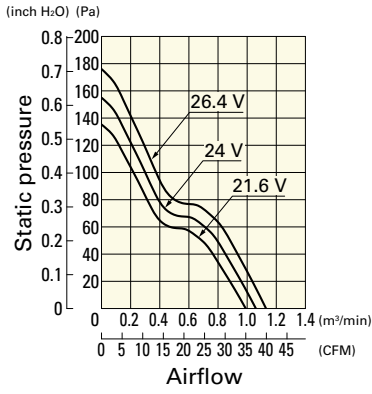
Operating voltage range



## Airflow - Static Pressure Characteristics

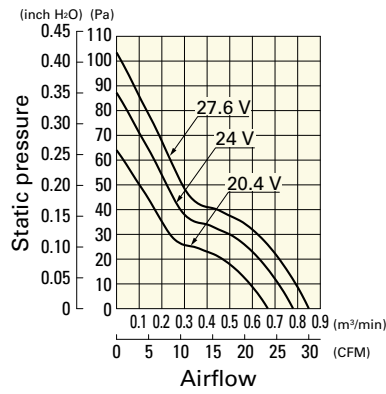
**9WP0624J401** With pulse sensor

Operating voltage range



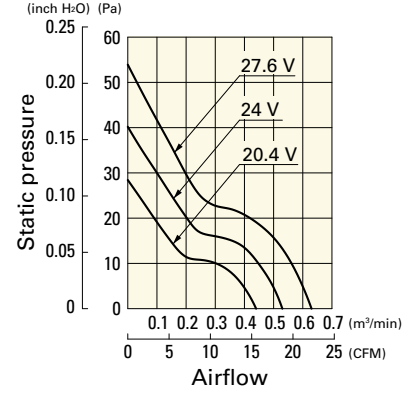
**9WP0624G401** With pulse sensor

Operating voltage range



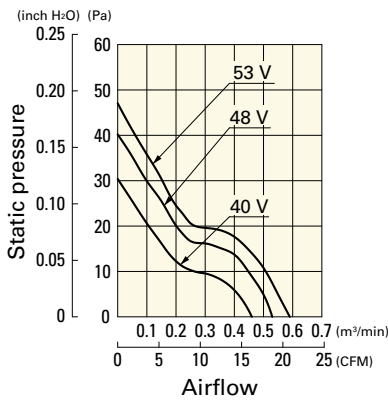
**9WP0624H401** With pulse sensor

Operating voltage range

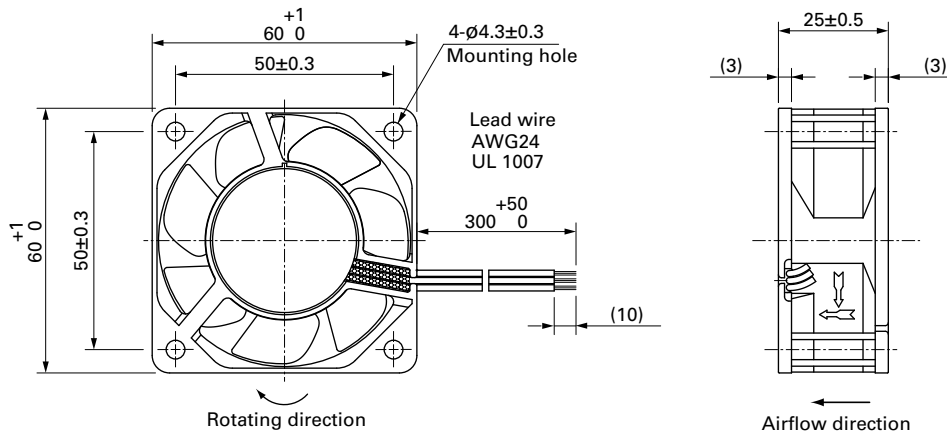


**9WP0648H401** With pulse sensor

Operating voltage range

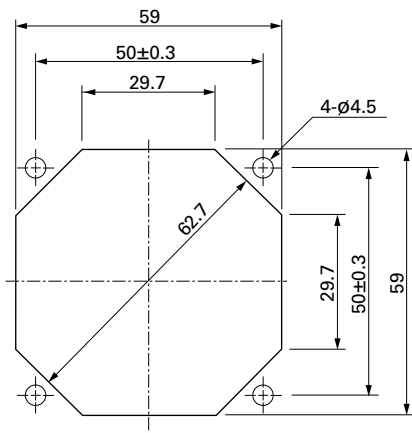


## Dimensions (unit: mm) (With ribs)



## Reference Dimensions of Mounting Holes and Vent Opening (unit: mm)

Inlet side, Outlet side



## Options

### Finger guards

page: p. 532

Model no.: 109-139E, 109-139H

### Resin finger guards

page: p. 539

Model no.: 109-1003G

## X-ON Electronics

Largest Supplier of Electrical and Electronic Components

*Click to view similar products for [DC Fans](#) category:*

*Click to view products by [Sanyo Denki](#) manufacturer:*

Other Similar products are found below :

[F1238H24B-FHR](#) [F1238X24B1-FSR-TTL](#) [PMD1204PBB1-A \(2\).GN](#) [AUB0612L](#) [F6025X12B1-RHR](#) [G4020H05B2-RSR-EM](#) [4318/12T](#)  
[AUB0912H-F00](#) [3412N/2ME](#) [W2G110-AM39-01](#) [USTF501005HW](#) [8412GLV](#) [8412NGL-12](#) [6448-384](#) [3258JH](#) [4114N/17-251](#) [4412F/2D](#)  
[OD127AP-28HTB](#) [424JMU](#) [3110KL-05W-B50-G00](#) [1608KL-04W-B29-L00](#) [EF40101BX-1000U-G99](#) [4414/2HH](#) [512F/2P-549](#) [4112](#)  
[N/12GL-175](#) [9GA0924L4021](#) [9GA0924M4021](#) [9GA0924M4011](#) [9GA0912M4D011](#) [9GA0924W4D01](#) [9GA0912F4021](#) [9GA0912H4D011](#)  
[9GA0824L20021](#) [9GA0824L20011](#) [9GA0812A2002](#) [9GA0812B2D001](#) [9GA0812L20021](#) [9WP1248M1021](#) [9GA0812A2D001](#)  
[9GA0824L2D001](#) [9GA0924W4D011](#) [9GA0912W402](#) [9GA0912M402](#) [9GA0824B2D001](#) [9GA0824A20021](#) [9GA0912W4021](#)  
[9GA0924W402](#) [9GA0812L2D0011](#) [9GA0812A20021](#) [9GA0824L2001](#)