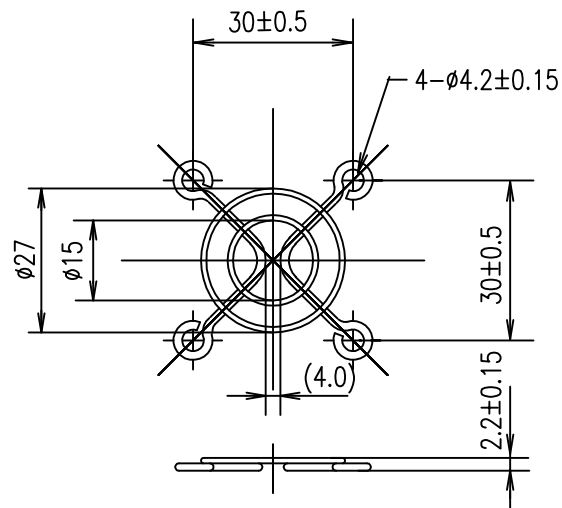


| ITEM | PART NO. | DESCRIPTION | Q'TY | REV | DATE | DESCRIPTION | APPROVAL | REF. |
|------|----------|------------------------------------|------|-----|-----------|------------------|-----------|------|
| 1 | KM38 | 38X38 FAN GUARD, G.T. P/N: SC38-W1 | | 0 | 08-DEC-08 | ORIGINAL RELEASE | <i>MM</i> | |
| 2 | | | | | | | | |
| 3 | | | | | | | | |
| 4 | | | | | | | | |
| 5 | | | | | | | | |



NOTES:

1. MATERIAL: SAE C1008 (OR EQUIVALENT) BRIGHT BASIC WIRE.
2. FINISH: BRIGHT NICKEL CHROME PLATING.
3. WELD JOINTS TO WITHSTAND 88 LBS PULL FORCE.
4. (1) RINGS ARE $\phi 1.0 \pm 0.1$ MM.
(2) RIBS ARE $\phi 1.4 \pm 0.1$ MM.
5. GENERAL TOLERANCE UNLESS NOTED: ± 0.5 MM.

| | | | | |
|--|---|-------|----------------------------------|------------------------|
| UNLESS NOTED: TOLERANCES SHALL BE X = $\pm .300$ XX = $\pm .150$ XXX = $\pm .075$ ANGULAR = $\pm 2'$ | REMARKS | | SHOWN Q'TY | OPPOSITE Q'TY |
| | THIRD ANGLE | SCALE | MATERIAL | APPROVED BY: <i>MM</i> |
| THIS DRAWING IS THE PROPERTY OF SANYO DENKI AMERICA, INC. AND SHALL BE DEEMED AS PROPRIETARY INFORMATION. USE OF ANY INFORMATION CONTAINED HEREIN SHALL BE PROHIBITED WITHOUT WRITTEN PERMISSION OF SANYO AMERICA, INC. | METRIC | | DATE: 08-DEC-08 | DATE: 08-DEC-08 |
| | MODEL | | NAME 38X38MM FAN FINGER GUARD | |
| | SANYO DENKI AMERICA, INC. <small>TORRANCE, CALIFORNIA, U.S.A.</small> | | DRAWING NO. KM38 | REVISED 0 |

X-ON Electronics

Largest Supplier of Electrical and Electronic Components

Click to view similar products for [Fan Accessories](#) category:

Click to view products by [Sanyo Denki](#) manufacturer:

Other Similar products are found below :

[LZ31](#) [LZ32P-1](#) [63070-2-4013](#) [64442-1-7612](#) [71882-2-4053](#) [73816-2-3634](#) [95778-1-5171](#) [99485901](#) [1247-4-6254](#) [RF119](#) [2151-4-7320](#)
[27453.32262](#) [95779-1-5171](#) [9614-2-4013](#) [99485906](#) [F92-B](#) [2170-4-7320](#) [27453.32241](#) [R88ACPU001M1](#) [R88ACPU001M2](#) [31570-2-4013](#)
[LZ215](#) [LZ22-2](#) [LZ24-1](#) [LZ24B](#) [LZ30-9](#) [LZ37-2](#) [450-20-0025](#) [525-00-0009](#) [450-20-0017](#) [450-20-0020](#) [04.846.1353.0](#) [04.846.1453.0](#)
[055032](#) [08121](#) [08188](#) [08195](#) [08196](#) [09576-2-4013](#) [54476-2-4013](#) [71883-2-4053](#) [52545-2-4037](#) [63071-2-4013](#) [52544-2-4037](#) [64445-1-7612](#)
[66786-4-7320](#) [88601-2-2929](#) [08164](#) [4013-2-4039](#) [R88A-CTW001N](#)