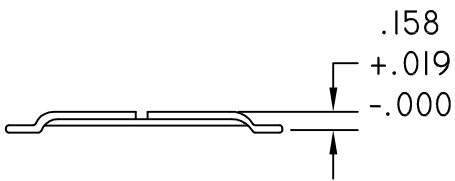
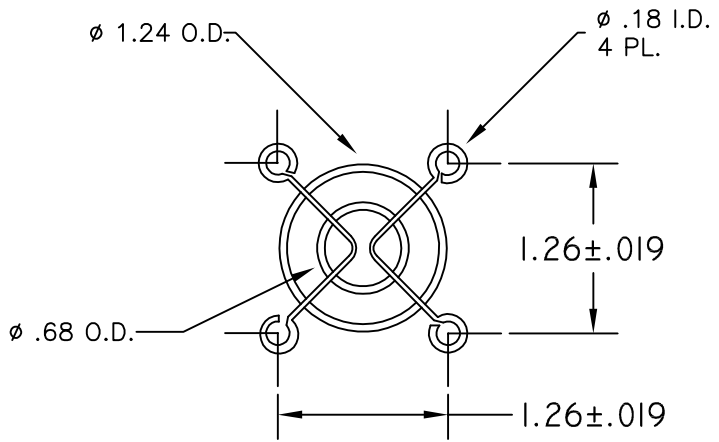


ITEM	PART NO.	DESCRIPTION	Q'TY	REV	DATE	DESCRIPTION	APPROVAL	REF.
1	KM40	40MM WIRE FORM FAN GUARD		0	08-27-04	ORIGINAL RELEASE	<i>JF</i>	
2								
3								
4								
5								



KM40

MAT'L:  
 WIRE, STEEL C1008 ELECTROPLATED BRIGHT NICKEL CHROME, CLEAR ZINC, ELECTRO DEPOSIT. PLATING THICKNESS = .0005" min.

WELD JOINTS TO WITHSTAND MIN. 70LBS. SEPARATION FORCE TO MEET UL/CSA STANDARDS. CONFORMS TO U.L.  $\phi 1/4$ " PLUG GAGE TEST

<small>UNLESS NOTED:          TOLERANCES SHALL BE          X = ±.300          .XX = ±.150          .XXX = ±.075          ANGULAR = ±2'</small>	REMARKS			SHOWN Q'TY	OPPOSITE Q'TY
	THIRD ANGLE	SCALE	MATERIAL	APPROVED BY: <i>JF</i>	DRAWN BY: <i>BEA</i>
	METRIC			DATE: 08-27-04	DATE: 08-27-04
<small>THIS DRAWING IS THE PROPERTY OF          SANYO DENKI AMERICA, INC. AND          SHALL BE DEEMED AS PROPRIETARY          INFORMATION. USE OF ANY          INFORMATION CONTAINED HEREIN          SHALL BE PROHIBITED WITHOUT          WRITTEN PERMISSION OF SANYO          AMERICA, INC.</small>	MODEL			NAME	
	<b>SANYO DENKI AMERICA, INC.</b> <small>TORRANCE, CALIFORNIA, U.S.A.</small>			40MM WIRE FORM FAN FINGER GUARD	
	DRAWING NO.			REVISED	
	KM40			0	

## X-ON Electronics

Largest Supplier of Electrical and Electronic Components

*Click to view similar products for [Fan Accessories](#) category:*

*Click to view products by [Sanyo Denki](#) manufacturer:*

Other Similar products are found below :

[LZ31](#) [LZ32P-1](#) [63070-2-4013](#) [64442-1-7612](#) [71882-2-4053](#) [73816-2-3634](#) [95778-1-5171](#) [99485901](#) [1247-4-6254](#) [RF119](#) [2151-4-7320](#)  
[27453.32262](#) [95779-1-5171](#) [9614-2-4013](#) [99485906](#) [F92-B](#) [2170-4-7320](#) [27453.32241](#) [R88ACPU001M1](#) [R88ACPU001M2](#) [31570-2-4013](#)  
[LZ215](#) [LZ22-2](#) [LZ24-1](#) [LZ24B](#) [LZ30-9](#) [LZ37-2](#) [450-20-0025](#) [525-00-0009](#) [420-05-0276](#) [450-20-0017](#) [450-20-0020](#) [04.846.1353.0](#)  
[04.846.1453.0](#) [055032](#) [08121](#) [08188](#) [08195](#) [08196](#) [09576-2-4013](#) [54476-2-4013](#) [71883-2-4053](#) [52545-2-4037](#) [63071-2-4013](#) [52544-2-4037](#)  
[64445-1-7612](#) [66786-4-7320](#) [88601-2-2929](#) [08164](#) [4013-2-4039](#)