

Compact EMC/RFI Filter for Industrial Motor Drive Applications

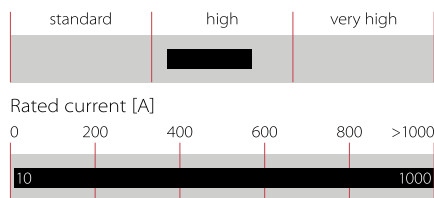


- Very compact and light weight design requiring minimum space
- Easy, time-saving installation and contacting
- Protective covers as optional accessory available
- Attenuation performance according to EN 61800-3/A11



Performance indicators

Attenuation performance



Technical specifications

| | |
|--|--|
| Maximum continuous operating voltage | 3x 520/300 VAC (480 VAC +10% possible) |
| Operating frequency | DC to 60 Hz |
| Rated currents | 10 to 1000 A @ 50°C |
| High potential test voltage | P → E 2750 VDC for 2 sec P → P 2250 VDC for 2 sec |
| Protection category | IP 20 (10 to 100 A) IP 00 (150 to 1000 A) |
| Overload capability | 4x rated current at switch on, 1.5x rated current for 1 minute, once per hour |
| Temperature range (operation and storage) | -25°C to +100°C (25/100/21) |
| Flammability corresponding to | UL 94 V-2 or better |
| Design corresponding to | UL 1283, CSA 22.2 No. 8 1986, IEC/EN 60939 |
| MTBF @ 50°C/400 V (Mil-HB-217F) | >320,000 hours |

Approvals & Compliances



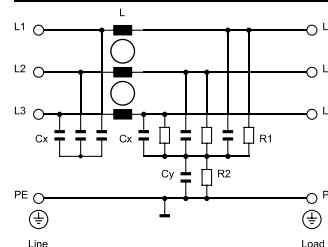
Features and benefits

- An extremely compact and light weight filter design requiring minimum mounting space in installations and cabinets
- Simple and time-saving installation with good accessibility for automatic and hand tools
- Solid, touch-safe terminal blocks, for all filters from 10 to 100 A, offering sufficient contacting cross section according to the EN 60204-1 installation standard
- Optionally available transparent protective covers for all filters with busbars from 150 to 1000 A, to protect the installer, operator or inspector from accidental touching of live conductors. They can easily be retrofitted even if the filter is already installed and connected
- These EMC filters provide the attenuation performance needed to fulfill EN 61800-3/A11
- Guaranteed filter performance under fullload operating conditions
- 15 different filter models allow the specific choice and deployment for most industrial applications

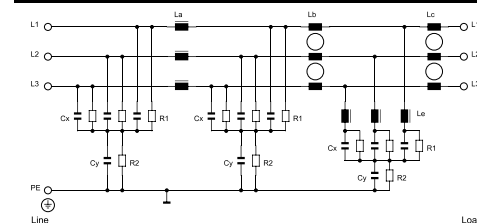
Typical applications

- Variable speed electrical power drive systems/motor drives for mainly industrial purpose
- Various industrial applications comprising frequency inverters, motor drives and servo drives





Typical electrical schematic (up to 100 A)



Typical electrical schematic (>100 A), for FN3271 refer to page 2



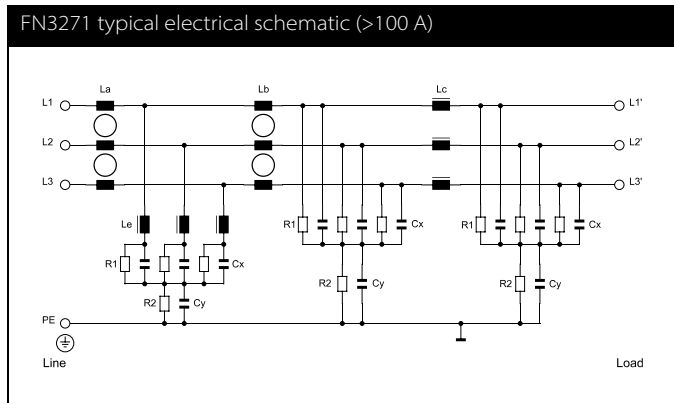
Filter selection table

| Filter | Buy | Rated current @ 50°C (40°C) | Typical drive power rating* | Leakage current @ 520 VAC/50 Hz | Power loss @ 25°C/50 Hz | Input/Output connections | | Weight [kg] | Protective covers*** |
|-----------------|---|--------------------------------|--------------------------------|------------------------------------|----------------------------|-----------------------------|------|----------------|-------------------------|
| | | | | | | [A] | [kW] | | [mA]** |
| FN3270H-10-44 |  | 10 (11) | 5.5 | 3.1 | 2.4 | -44 | | 0.4 | |
| FN3270H-20-44 |  | 20 (22) | 11 | 3.1 | 4.1 | -44 | | 0.5 | |
| FN3270H-35-33 |  | 35 (38) | 22 | 3.4 | 6.8 | -33 | | 0.7 | |
| FN3270H-50-34 |  | 50 (55) | 30 | 3.4 | 12.8 | -34 | | 1.2 | |
| FN3270H-65-34 |  | 65 (71) | 37 | 3.4 | 13.5 | -34 | | 1.3 | |
| FN3270H-80-35 |  | 80 (88) | 45 | 3.4 | 13.5 | -35 | | 2.2 | |
| FN3270H-100-35 |  | 100 (110) | 55 | 3.4 | 17.1 | -35 | | 2.6 | |
| FN3270H-150-99 |  | 150 (164) | 75 | 6.9 | 7.5 | -99 | | 6.1 | 801916 |
| FN3270H-200-99 |  | 200 (219) | 110 | 6.9 | 13.2 | -99 | | 6.1 | 801916 |
| FN3270H-250-99 |  | 250 (274) | 132 | 6.9 | 20.6 | -99 | | 6.1 | 801916 |
| FN3270H-320-99 |  | 320 (350) | 160 | 6.9 | 12.2 | -99 | | 7.2 | 801916 |
| FN3270H-400-99 |  | 400 (438) | 220 | 6.9 | 19.2 | -99 | | 7.2 | 801916 |
| FN3270H-600-99 |  | 600 (657) | 315 | 6.9 | 35.6 | -99 | | 7.7 | 801916 |
| FN3270H-800-99 |  | 800 (876) | 400 | 6.9 | 51.8 | -99 | | 15.8 | 806275 |
| FN3270H-1000-99 |  | 1000 (1095) | 560 | 6.9 | 81.0 | -99 | | 15.8 | 806275 |
| FN3271H-150-99 |  | 150 (164) | 75 | 6.9 | 7.5 | -99 | | 6.1 | 801916 |
| FN3271H-200-99 |  | 200 (219) | 110 | 6.9 | 13.2 | -99 | | 6.1 | 801916 |
| FN3271H-250-99 |  | 250 (274) | 132 | 6.9 | 20.6 | -99 | | 6.1 | 801916 |
| FN3271H-320-99 |  | 320 (350) | 160 | 6.9 | 12.2 | -99 | | 7.2 | 801916 |
| FN3271H-400-99 |  | 400 (438) | 220 | 6.9 | 19.2 | -99 | | 7.2 | 801916 |
| FN3271H-600-99 |  | 600 (657) | 315 | 6.9 | 35.6 | -99 | | 7.7 | 801916 |
| FN3271H-800-99 |  | 800 (876) | 400 | 6.9 | 51.8 | -99 | | 15.8 | 806275 |
| FN3271H-1000-99 |  | 1000 (1095) | 560 | 6.9 | 81.0 | -99 | | 15.8 | 806275 |

* Calculated at rated current, 480 VAC and cos phi=0.8. The exact value depends upon the efficiency of the drive, the motor and the entire application.

** Standardized calculated leakage current acc. IEC60939 under normal operating conditions.

*** Please contact your local Schaffner partner to order the optional protective covers with the order code in the table above.



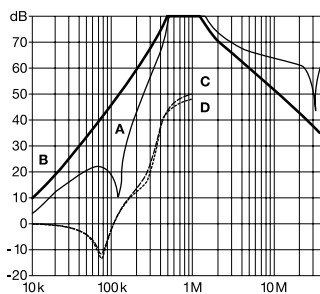
FN3271H description

- FN3271H can be used for applications where a differential mode choke is needed on the load side.
- In general FN3271H is a mirrored version of the high current FN3270H (>100A).
- PE is not mirrored and is still available on line side, due to safety measures.
- In 50/50 Ohm measurement for insertion loss no difference can be detected.

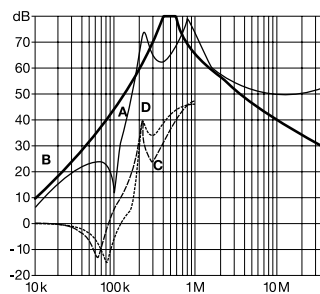
Typical filter attenuation

Per CISPR 17; A=50 Ω/50 Ω sym; B=50 Ω/50 Ω asym; C=0.1 Ω/100 Ω sym; D=100 Ω/0.1 Ω sym

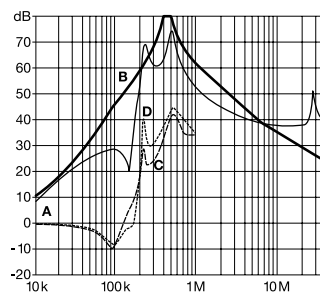
10 and 20 A types



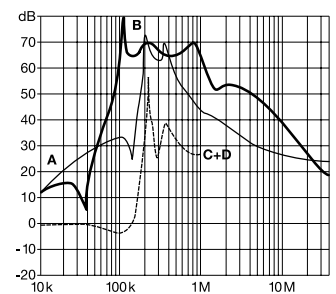
35 to 65 A types



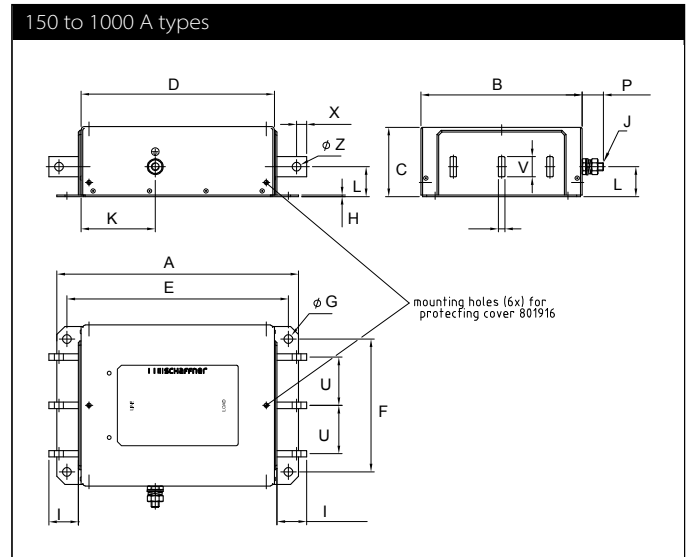
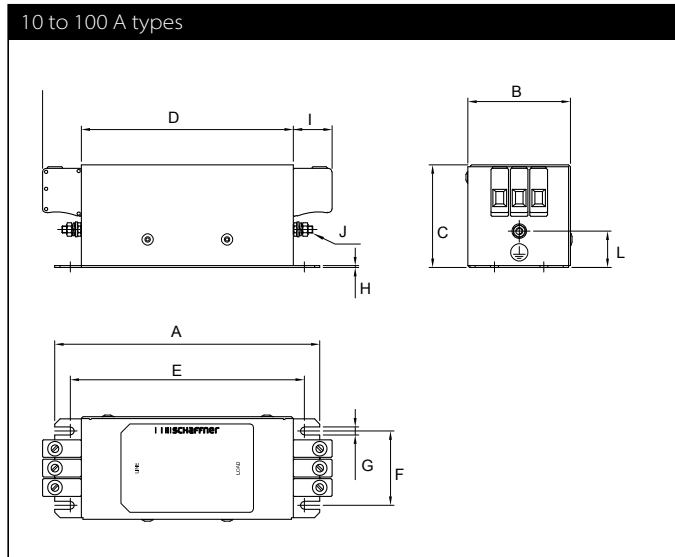
80 and 100 A types



150 to 1000 A types



Mechanical data



Dimensions

| | 10 A | 20 A | 35 A | 50 A | 65 A | 80 A | 100 A | 150 A | 200 A | 250 A | 320 A | 400 A | 600 A | 800 A | 1000 A |
|----------|-------|-------|-------|-------|-------|-------|-------|-------|-------|-------|-------|-------|-------|-------|--------|
| A | 150 | 150 | 160 | 170 | 170 | 200 | 230 | 300 | 300 | 300 | 300 | 300 | 300 | 370 | 370 |
| B | 58 | 58 | 70 | 85 | 85 | 95 | 95 | 200 | 200 | 200 | 200 | 200 | 200 | 190 | 190 |
| C | 58 | 58 | 68 | 80 | 80 | 90 | 90 | 86 | 86 | 86 | 86 | 86 | 86 | 125 | 125 |
| D | 120 | 120 | 130 | 140 | 140 | 170 | 200 | 240 | 240 | 240 | 240 | 240 | 240 | 310 | 310 |
| E | 132.5 | 132.5 | 142.5 | 152.5 | 152.5 | 182.5 | 212.5 | 275 | 275 | 275 | 275 | 275 | 275 | 345 | 345 |
| F | 42 | 42 | 50 | 65 | 65 | 75 | 75 | 165 | 165 | 165 | 165 | 165 | 165 | 155 | 155 |
| G | 4.5 | 4.5 | 5.5 | 5.5 | 5.5 | 5.5 | 5.5 | Ø11 | Ø11 | Ø11 | Ø11 | Ø11 | Ø11 | Ø11 | Ø11 |
| H | 1 | 1 | 1 | 1 | 1 | 1.5 | 1.5 | 2 | 2 | 2 | 2 | 2 | 2 | 3 | 3 |
| I | 22 | 22 | 25 | 39 | 39 | 45 | 45 | 40 | 40 | 40 | 40 | 40 | 40 | 50 | 50 |
| J | M4 | M4 | M5 | M6 | M6 | M8 | M8 | M10 | M10 | M10 | M10 | M10 | M10 | M10 | M12 |
| K | | | | | | | | 92 | 92 | 92 | 92 | 92 | 92 | 138 | 138 |
| L | 20.5 | 20.5 | 20 | 15 | 15 | 16 | 16 | 37 | 37 | 37 | 37 | 37 | 37 | 67 | 67 |
| M | | | | | | | | 380 | 380 | 380 | 380 | 380 | 380 | 610 | 610 |
| N | | | | | | | | 211 | 211 | 211 | 211 | 211 | 211 | 201 | 201 |
| O | | | | | | | | 93 | 93 | 93 | 93 | 93 | 93 | 132 | 132 |
| P | | | | | | | | 26.5 | 26.5 | 26.5 | 26.5 | 26.5 | 26.5 | 29 | 29 |
| U | | | | | | | | 60 | 60 | 60 | 60 | 60 | 60 | 60 | 60 |
| V | | | | | | | | 20 | 20 | 20 | 25 | 25 | 25 | 40 | 40 |
| W | | | | | | | | 3 | 3 | 3 | 6 | 6 | 8 | 8 | 8 |
| X | | | | | | | | 10 | 10 | 10 | 12.5 | 12.5 | 12.5 | 20 | 20 |
| Y | | | | | | | | 37 | 37 | 37 | 37 | 37 | 37 | 47 | 47 |
| Z | | | | | | | | Ø9 | Ø9 | Ø9 | Ø11 | Ø11 | Ø11 | Ø13.5 | Ø13.5 |

All dimensions in mm; 1 inch = 25.4 mm
Tolerances according to: ISO 2768-m/EN 22768-m

Filter input/output connector cross sections

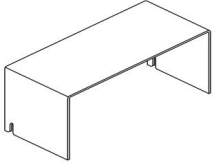
| | -33 | -34 | -35 | -44 |
|---------------------------|--------------------|--------------------|--------------------|--------------------|
| | | | | |
| Solid wire | 16 mm ² | 35 mm ² | 50 mm ² | 10 mm ² |
| Flex wire | 10 mm ² | 25 mm ² | 50 mm ² | 6 mm ² |
| AWG type wire | AWG 6 | AWG 2 | AWG 1/0 | AWG 8 |
| Recommended torque | 1.5-1.8 Nm | 4.0-4.5 Nm | 7-8 Nm | 1.0-1.2 Nm |

Please visit www.schaffner.com to find more details on filter connectors.

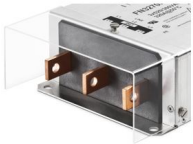
Accessories

Protective Cover for Busbar Filters

Construction schematic



Installation example



Applicable Busbar Filters

FN3359

FN3270



Transparent protective covers for FN3359 and FN3270 with busbars from 150 to 1000 A

Protection for the operator or inspector from accidental touching of live conductors.

Easily to be added after the filter has been installed and connected.

[Datasheet PDF >](#)

Surge Protection Devices



SPD with a fail safe function to prevent short-circuit (separation of circuit and element is visually confirmable)

Compliance with IEC 61643-1 that meets the new JIS standards

Against indirect lightning surge for single phase / three phase power supplies Quick response for surge

Impulse current capacity 8/20 μ s-5,000A

Impulse test category: Class II (Type II)

Every pathway consists of same elements. Between line and line/between lines and ground can protect as the same level.

[Datasheet PDF >](#)



Headquarters, global innovation and development

Switzerland

Schaffner Group

Industrie Nord
Nordstrasse 11e
4542 Luterbach
T +41 32 681 66 26
info@schaffner.com



Sales and application centers

China

Schaffner EMC Ltd. Shanghai

T20-3 C, No 565 Chuangye Road,
Pudong district
201201 Shanghai
T +86 21 3813 9500
cschina@schaffner.com
www.schaffner.com.cn

Finland

Schaffner Oy

Sauvonrinne 19 H
08500 Lohja
T +358 50 468 7284
finlandsales@schaffner.com

France

Schaffner EMC S.A.S.

16-20 Rue Louis Rameau
95875 Bezons
T +33 1 34 34 30 60
F +33 1 39 47 02 28
francesales@schaffner.com

Germany

Schaffner Deutschland GmbH

Schoemperlenstrasse 12B
76185 Karlsruhe
T +49 721 56910
germanysales@schaffner.com

India

Schaffner India Pvt. Ltd

REGUS WORLD TRADE CENTRE
WTC, 22nd Floor Unit No 2238, Brigade
Gateway Campus, 26/1, Dr. Rajkumar Road
Malleshwaram (W)
560055 Bangalore
T +91 80 67935355
indiasales@schaffner.com

Italy

Schaffner EMC S.r.l.

Via Ticino, 30
20900 Monza (MB)
T +39 039 21 41 070
italysales@schaffner.com

Japan

Schaffner EMC K.K.

Taiju-Seimei Sangenjaya Bldg.
1-32-12, Kamiyuma, Setagaya-ku
154-0011 Tokyo
T +81 3 5712 3650
F +81 3 5712 3651
japansales@schaffner.com
www.schaffner.jp

Singapore

Schaffner EMC Pte Ltd.

#05-09, Kg Ubi Ind. Estate
408705 Singapore
T +65 6377 3283
F +65 6377 3281
singaporesales@schaffner.com

Spain

Schaffner EMC España

Calle Caléndula 93, Miniparc III, Edificio E
El Soto de Moraleja, Alcobendas
28109 Madrid
T +34 917 912 900
F +34 917 912 901
spainsales@schaffner.com

Sweden

Schaffner EMC AB

Östermalmstorg 1
114 42 Stockholm
T +46 8 5050 2425
swedensales@schaffner.com
www.schaffner.com

Switzerland

Schaffner EMV AG

Industrie Nord
Nordstrasse 11e
4542 Luterbach
T +41 32 681 66 88
T +41 32 681 66 26
switzerlandsales@schaffner.com

Taiwan

Schaffner EMV Ltd.

20 Floor-2, No 97, Section 1, XinTai 5th Road
22175 XiZhi District New Taipei City 22175
T +886 2 2697 5500
F +886 2 2697 5533
taiwansales@schaffner.com
www.schaffner.com.tw

Thailand

Schaffner EMC Co. Ltd.

Northern Region Industrial Estate
67 Moo 4 Tambon Ban Klang
Amphur Muangng P.O. Box 14
51000 Lamphun
T +66 53 58 11 04
F +66 53 58 10 19
thailandsales@schaffner.com

United Kingdom

Schaffner Ltd.

1, Oakmede Place
Binfield
RG42 4JF Berkshire
T +44 118 9770070
F +44 118 9792969
uksales@schaffner.com

USA

Schaffner EMC Inc.

52 Mayfield Avenue
Edison, New Jersey
T +1 732 225 9533
F +1 732 225 4789
usasales@schaffner.com
www.schaffnerusa.com

To find your local partner within Schaffner's global network: www.schaffner.com

© 2021 Schaffner Group

The content of this document has been carefully checked and understood. However, neither Schaffner nor its subsidiaries assume any liability whatsoever for any errors or inaccuracies of this document and the consequences thereof. Published specifications are subject to change without notice. Product suitability for any area of application must ultimately be determined by the customer. In all cases, products must never be operated outside their published specifications. Schaffner does not guarantee the availability of all published products. This disclaimer shall be governed by substantive Swiss law and resulting disputes shall be settled by the courts at the place of business of Schaffner Holding AG. Latest publications and a complete disclaimer can be downloaded from the Schaffner website. All trademarks recognized.

X-ON Electronics

Largest Supplier of Electrical and Electronic Components

Click to view similar products for [Power Line Filters](#) category:

Click to view products by [Schaffner](#) manufacturer:

Other Similar products are found below :

[6609019-3](#) [6609026-5](#) [6609030-6](#) [6609973-2](#) [D30A](#) [7-1609090-5](#) [F2810](#) [F4456A](#) [F7382Z](#) [F7863Z](#) [FAHAV3100ZC000](#) [806276](#) [FN2020B-1-06](#) [FN2080B-10-06](#) [FN2410H-32-33](#) [FN2410H-80-34](#) [FP144](#) [FS4153-20-06](#) [FS4353-500-99](#) [12-MMB-030-11-D](#) [DB4-393](#) [15811T200](#)
[20B1](#) [LC630](#) [2B1](#) [1609080-2](#) [1609993-8](#) [1-6609070-1](#) [F1100AA02](#) [F1150CC10](#) [F1500CA10](#) [F1500CA15](#) [F4041Z](#) [F7585E](#) [1B1](#)
[FN2070A-16-06](#) [FN2090A-20-06](#) [FN2090B-12-06](#) [FN2090Z-1-06](#) [FN2410H-25-33](#) [FN2410H-60-34](#) [FN2410H-8-44](#) [FN2412H-8-44](#)
[FN323B-6-01](#) [FN3258H-130-35](#) [FN610R-3-06](#) [20EHQ7](#) [20EHZ7](#) [20K1](#) [30B6](#)