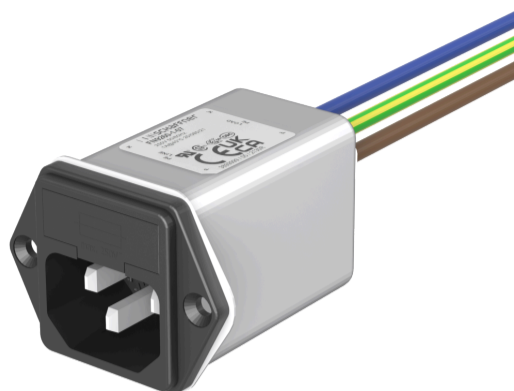


General Purpose Power Entry Module with Fuses



- Rated currents up to 10 A
- Integrated single/dual fuse holder
- Optional reduced leakage current versions (A/B type)
- Complies with IEC/EN 60601-1
- Snap-in versions (S type)
- Good attenuation performance
- NEW: Wire leads option



Performance indicators

Attenuation performance



Rated current [A]



Approvals & Compliances



The FN9260 power entry module combines an IEC inlet, mains filter with excellent filter attenuation and fuses in a small form factor. Choosing FN9260 product line brings you rapid availability of a standard filter associated with the necessary safety acceptances. Standard IEC connector filters are a practical solution helping you to pass EMI system approval in a short time. A wide selection on amperage ratings, output connections, mounting possibilities and filters for medical applications are designed to offer you the desired solution.

Features and Benefits

- Exceptional conducted attenuation performance, based on chokes with high saturation resistance and excellent thermal behavior
- FN9260 B versions comply with the requirements of 1MOP acc. to IEC/EN 60601-1 for creepage and clearance, leakage current and high potential testing
- Versions up to 10 A are available with fuse holder for one or two fuses
- Custom-specific versions are available on request

Technical Specifications

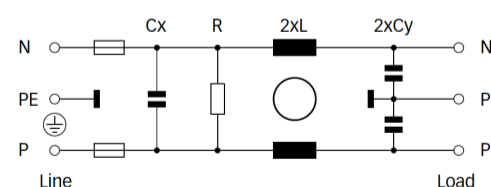
| | |
|--|--|
| Maximum continuous operating voltage | 250 VAC, 50/60 Hz |
| Operating frequency | DC to 400 Hz |
| Rated currents | 1 to 10 A @ 40°C max |
| High potential test voltage | P → PE 2000 VAC for 2 sec (standard types) P → PE 2500 VAC for 2 sec (B types) P → N 760 VAC for 2 sec |
| Protection category | IP 40 according to IEC 60529 |
| Temperature range (operation and storage) | -25°C to +85°C (25/85/21) |
| Design corresponding to | UL 60939-3, CSA Std C22.2 No. 8-13, IEC/EN 60939-3, GB/T15287, GB/T15288 |
| Flammability corresponding to | Inlet plastic: UL 94 V-0 Fuseholder plastic: UL 94 V-0 |
| MTBF @ 40°C/230 V (Mil-HB-217F) | 2,200,000 hours |
| Fuse holder | 1 or 2 fuses (Ø5 x 20 mm) (certified to IEC 60127-6) |

Typical Applications

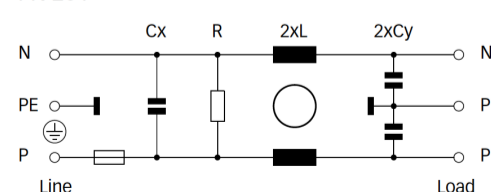
- Portable electrical and electronic equipment
- Medical equipment
- Small to medium-sized machines and household equipment
- Single-phase power supplies, switch-mode power supplies
- Test and measurement equipment

Typical electrical schematic

FN 9260 (B types without Y-capacitors)



FN 261



Filter Selection Table

| Filter | Buy | Rated current @ 40°C (25°C) | Leakage current* @ 250 VAC/50 Hz (@ 120 VAC/60 Hz) | Inductance** | | Capacitance** | | Resistance** | Output connections | | Fuses*** | Weight |
|-------------------|-----|--------------------------------|--|--------------|------|---------------|------|--------------|--------------------|-------|----------|--------|
| | | | | L | Cx | Cy | R | | | | | |
| | | [A] | [mA] | [mH] | [µF] | [nF] | [kΩ] | | | [Qty] | [g] | |
| FN9260v-1-yy-zz | | 1 (1.2) | 0.31 (0.18) | 5.3 | 0.1 | 2.2 | 1000 | -06 | -07 | 2 | 55 | |
| FN9260v-2-yy-zz | | 2 (2.3) | 0.31 (0.18) | 2.7 | 0.1 | 2.2 | 1000 | -06 | -07 | 2 | 55 | |
| FN9260v-4-yy-zz | | 4 (4.6) | 0.31 (0.18) | 1.0 | 0.1 | 2.2 | 1000 | -06 | -07 | 2 | 55 | |
| FN9260v-6-yy-zz | | 6 (6.9) | 0.31 (0.18) | 0.3 | 0.1 | 2.2 | 1000 | -06 | -07 | 2 | 55 | |
| FN9260v-10-yy-zz | | 10 (11.5) | 0.31 (0.18) | 0.2 | 0.1 | 2.2 | 1000 | -06 | -07 | 2 | 55 | |
| FN9260vA1-1-yy-zz | | 1 (1.2) | 0.03 (0.02) | 5.3 | 0.1 | 0.22 | 1000 | -06 | -07 | 2 | 55 | |
| FN9260vA-2-yy-zz | | 2 (2.3) | 0.07 (0.04) | 2.7 | 0.1 | 0.47 | 1000 | -06 | -07 | 2 | 55 | |
| FN9260vA-4-yy-zz | | 4 (4.6) | 0.07 (0.04) | 1.0 | 0.1 | 0.47 | 1000 | -06 | -07 | 2 | 55 | |
| FN9260vA-6-yy-zz | | 6 (6.9) | 0.07 (0.04) | 0.3 | 0.1 | 0.47 | 1000 | -06 | -07 | 2 | 55 | |
| FN9260vA-10-yy-zz | | 10 (11.5) | 0.07 (0.04) | 0.2 | 0.1 | 0.47 | 1000 | -06 | -07 | 2 | 55 | |
| FN9260vB-1-yy-zz | | 1 (1.2) | 0.00 | 5.3 | 0.1 | | 1000 | -06 | -07 | 2 | 55 | |
| FN9260vB-2-yy-zz | | 2 (2.3) | 0.00 | 2.7 | 0.1 | | 1000 | -06 | -07 | 2 | 55 | |
| FN9260vB-4-yy-zz | | 4 (4.6) | 0.00 | 1.0 | 0.1 | | 1000 | -06 | -07 | 2 | 55 | |
| FN9260vB-6-yy-zz | | 6 (6.9) | 0.00 | 0.3 | 0.1 | | 1000 | -06 | -07 | 2 | 55 | |
| FN9260vB-10-yy-zz | | 10 (11.5) | 0.00 | 0.2 | 0.1 | | 1000 | -06 | -07 | 2 | 55 | |
| FN261v-1-06-zz | | 1 (1.2) | 0.31 (0.18) | 5.3 | 0.1 | 2.2 | 1000 | -06 | | 1 | 55 | |
| FN261v-2-06-zz | | 2 (2.3) | 0.31 (0.18) | 2.7 | 0.1 | 2.2 | 1000 | -06 | | 1 | 55 | |
| FN261v-4-06-zz | | 4 (4.6) | 0.31 (0.18) | 1.0 | 0.1 | 2.2 | 1000 | -06 | | 1 | 55 | |
| FN261v-6-06-zz | | 6 (6.9) | 0.31 (0.18) | 0.3 | 0.1 | 2.2 | 1000 | -06 | | 1 | 55 | |
| FN261v-10-06-zz | | 10 (11.5) | 0.31 (0.18) | 0.2 | 0.1 | 2.2 | 1000 | -06 | | 1 | 55 | |

* Leakage current under normal operating conditions (acc. to IEC60939-3). Note: if the neutral line is interrupted, worst case leakage could reach twice this level.

** Tolerances apply: Inductance: -30/+50%, Capacitance: ±20%, Resistance: ±10%

*** Fuses are not included in the filter and need to be selected according to application

Product selector

FN9260vw- xx-yy-zz

- 10: Snap-in range for S version only
- 20: Snap-in range 0.6 to 1.5mm
- 30: Snap-in range 1.6 to 2.5mm
- 06: Snap-in range 2.6 to 3.5mm
- 06: Fast-on 6.3 x 0.8mm (spade/soldering)
- 07: Wire leads
- 1 to 10: Rated current
- Blank: Standard version
- A: Safety version
- B: Medical version (without Y-capacitor)
- Blank: Standard housing with mounting flanges
- S: Snap-in version, snapper on vertical side

For example: FN9260-1-06-10, FN9260SB-10-06-20, FN261S-6-06-30

Typical Filter Attenuation

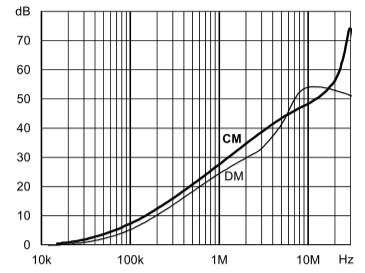
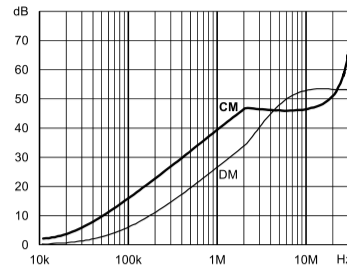
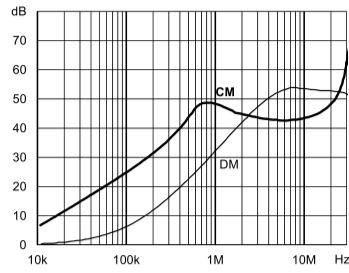
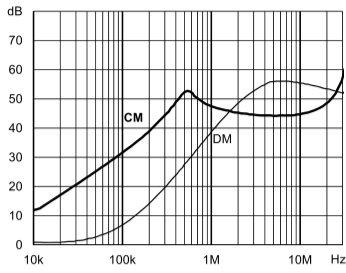
Per CISPR 17; DM (differential mode)=50 Ω/50 Ω sym; CM (common mode)=50 Ω/50 Ω asym

FN261/ FN9260: 1 A type

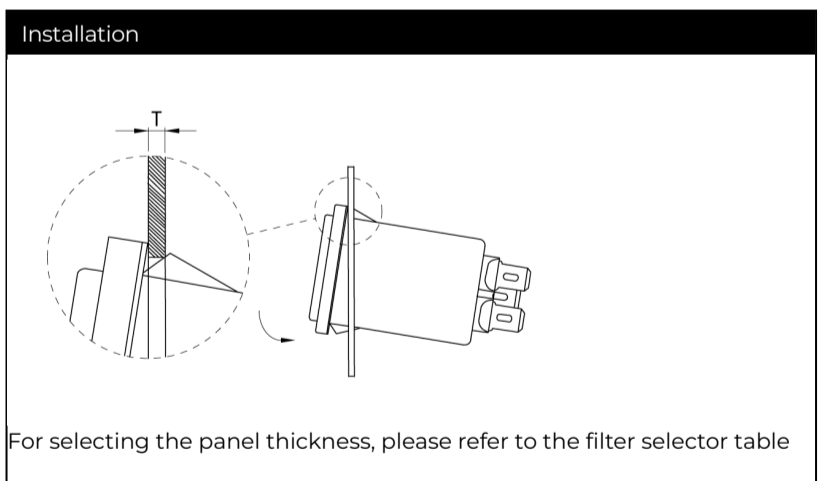
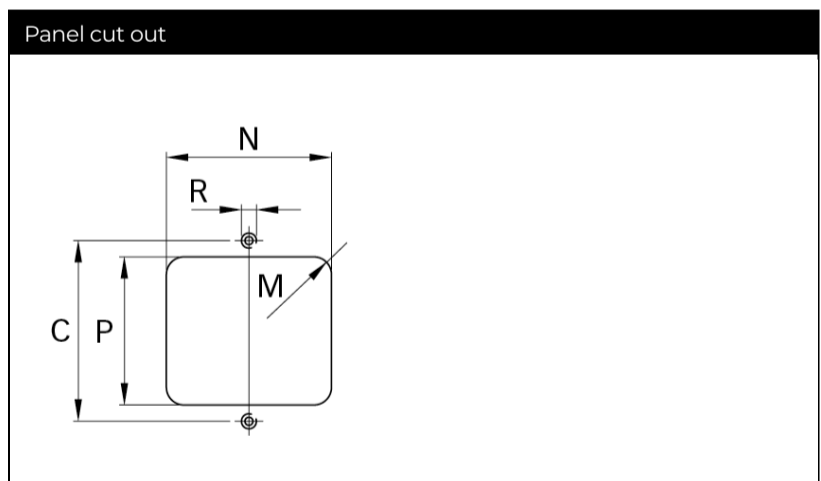
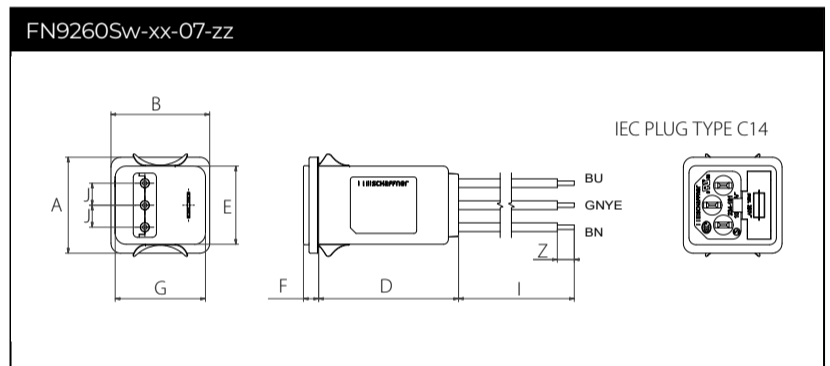
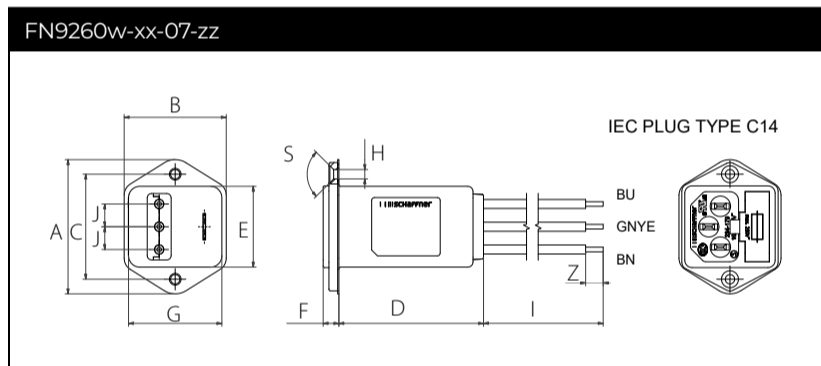
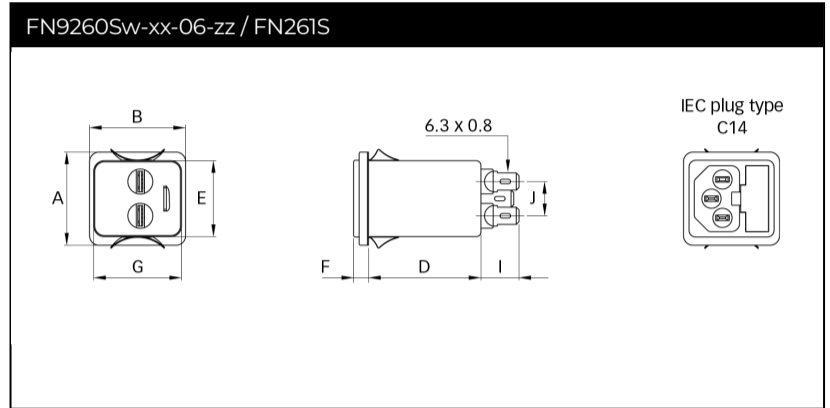
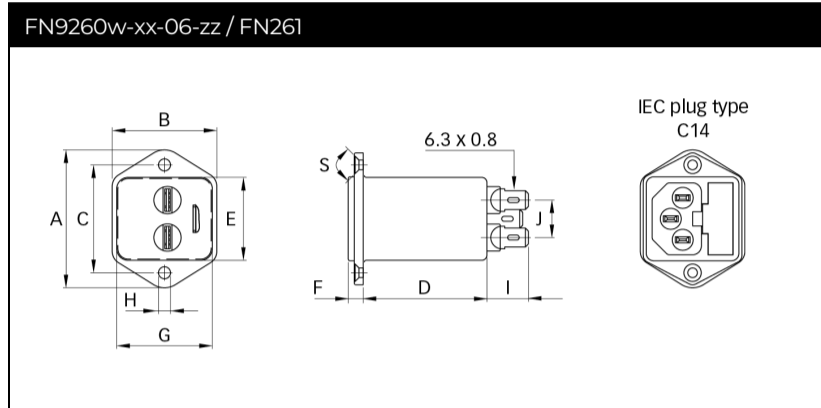
FN261/ FN9260: 2 A type

FN261/ FN9260: 4 A type

FN261/ FN9260: 6 and 10 A types



Mechanical Data



Dimensions

| | FN9260vw-xx-06-zz FN261 Fast-On | FN9260vw-xx-07-zz Wire leads** | FN9260Sw-xx-06-zz FN261 Fast-On | FN9260Sw-xx-07-zz Wire leads** | Tolerances |
|-----------|---------------------------------------|-----------------------------------|---------------------------------------|-----------------------------------|------------|
| A | 46 | 46 | 34 | 34 | ±0.3 |
| B | 35 | 35 | 35 | 35 | ±0.3 |
| C | 36 | 36 | | | ±0.3 |
| D | 41 | 50 | 41 | 50 | |
| E | 27.8 | 27.8 | 27.8 | 27.8 | +0.3/-0 |
| F | 5.5 | 5.5 | 5.5 | 5.5 | ±0.3 |
| G | 32 | 32 | 32 | 32 | +0.3/-0 |
| H | Ø3.2 | Ø3.2 | | | ±0.1 |
| I | 14±0.5 | 160±5** | 14±0.5 | 160±5** | |
| J | 12.5 | 7.8 | 12.5 | 7.8 | |
| M | R ≤3.5 | R ≤3.5 | R ≤3.5 | R ≤3.5 | |
| N | 33 +0.3/-0 | 33 +0.3/-0 | 33 +0.2/-0 | 33 +0.2/-0 | |
| P | 29 ±0.3 | 29 ±0.3 | 29.5 ±0.2 | 29.5 ±0.2 | |
| R* | M3 | M3 | | | |
| S | 90° | 90° | | | |
| Z | | 6 | | 6 | |

*Recommended torque for M3 (90° countersunk flat head) is 0.5 Nm

** 1 A - 6 A - AWG18; 10 A - AWG16

All dimensions in mm; 1 inch = 25.4 mm / Tolerances according: ISO 2768-m/EN 22768-m

Please visit www.schaffner.com to find more details on filter connections.

Accessories

Power Cord with angled Locking System C13



- Protects appliances that are vulnerable to vibration
- Connector cannot be accidentally pulled or vibrated out of the inlet
- Space availability/constraints
- Different angles for ease of access
- Space saving
- Release locking mechanism
- Prevents accidental disconnection

[Technical Data Sheet >](#)

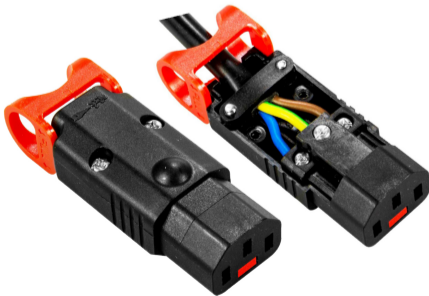
IL 13P IEC C13 Rewireable Angled Connectors with Locking System



- Protects appliances that are vulnerable to vibration
- Connector cannot be accidentally pulled or vibrated out of the inlet
- Space availability/constraints
- Different angles for ease of access
- Space saving
- Release locking mechanism
- Prevents accidental disconnection

[Technical Data Sheet >](#)

IL 13P IEC C13 Rewireable Connectors with Locking System



The locking system has a tensile force of typical 300N. It is recommended to use it with flange mount filters. For details refer to our Application Note "Using IEC Lock Power Cords with IEC Inlets and Filters".

Schaffner power connector with IEC lock guard against accidental disconnection of all electrical appliances with an IEC inlet. No exchange or modification of the IEC inlet or IEC inlet filter system is needed. Easy retrofit .for all electronic equipments and devices

[Technical Data Sheet >](#)

Headquarters, Global Innovation and Development

Switzerland

Schaffner Holding AG

Industrie Nord
Nordstrasse 11e
4542
Luterbach
+41 32 681 66 26
info@schaffner.com

Sales and Application Centers

China

Schaffner EMC Ltd. Shanghai

T20-3 C, No 565 Chuangye Road, Pudong district
201201
Shanghai
+86 2138139500
cschina@schaffner.com

Finland

Schaffner Oy

Sauvonrinne 19 H
8500
Lohja
+358 50 468 7284
finlandsales@schaffner.com

France

Schaffner EMC S.A.S.

16-20 Rue Louis Rameau
95875
Bezons
+33 1 34 34 30 60
francesales@schaffner.com

Germany

Schaffner Deutschland GmbH

Schoemperlenstrasse 12B
76185
Karlsruhe
+49 721 56910
germanysales@schaffner.com

India

Schaffner India Pvt. Ltd

Regus World Trade Centre
WTC, 22nd Floor Unit No 2238, Brigade Gateway Campus, 26/1, Dr. Rajkumar Road Malleshwaram (W)
560055
Bangalore
+91 8067935355
indiasales@schaffner.com

Italy

Schaffner EMC S.r.l.

Via Ticino, 30
20900
Monza (MB)
+39 039 21 41 070
italysales@schaffner.com

Japan

Schaffner EMC K.K.

ISM Sangenjaya 7F
1-32-12 Kamiuma, Setagaya-ku
154-0011
Tokyo
+81 3 5712 3650
japansales@schaffner.com

Singapore

Schaffner EMC Pte Ltd.

Blk 3015A Ubi Road 1, #05-09, Kampong Ubi Industrial Estate
408705
Singapore
+65 63773283
singaporesales@schaffner.com

Spain

Schaffner EMC España

Calle Caléndula 93, Miniparc III, Edificio E El Soto de Moraleja, Alcobendas
28109
Madrid
+34 917 912 900
spainsales@schaffner.com

Sweden

Schaffner EMC AB

Östermalmstrorg 1
114 42
Stockholm
+46 8 5050 2425
swedensales@schaffner.com

Switzerland

Schaffner EMV AG

Industrie Nord
Nordstrasse 11e
4542
Luterbach
+41 32 681 66 26
switzerlandsales@schaffner.com

Taiwan

Schaffner EMV Ltd.

U-Town
20 Floor-2, No 97, Section 1, XinTai 5th Road, XiZhi District
22175
New Taipei City
+886 226975500
taiwansales@schaffner.com

Thailand

Schaffner EMC Co. Ltd.

Sathorn Square Tower
Room 3780, 37FL, 98 North-Sathorn Rd, Silom, Bangrak
10500
Bangkok
+66 621056397
thailandsales@schaffner.com

United Kingdom

Schaffner Ltd.

1, Oakmede Place
Terrace Road
RG42 4JF
Binfield
+44 118 9770070
uksales@schaffner.com

United States

Schaffner EMC Inc.

52 Mayfield Avenue
Edison, New Jersey
+1 732 225 9533
usasales@schaffner.com

To find your local partner within Schaffner's global network schaffner.com

© 2022 Schaffner Group

The content of this document has been carefully checked and understood. However, neither Schaffner nor its subsidiaries assume any liability whatsoever for any errors or inaccuracies of this document and the consequences thereof. Published specifications are subject to change without notice. Product suitability for any area of application must ultimately be determined by the customer. In all cases, products must never be operated outside their published specifications. Schaffner does not guarantee the availability of all published products. This disclaimer shall be governed by substantive Swiss law and resulting disputes shall be settled by the courts at the place of business of Schaffner Holding AG. Latest publications and a complete disclaimer can be downloaded from the Schaffner website. All trademarks recognized.

X-ON Electronics

Largest Supplier of Electrical and Electronic Components

Click to view similar products for [AC Power Entry Modules](#) category:

Click to view products by [Schaffner](#) manufacturer:

Other Similar products are found below :

[6167.0002](#) [6609100-2](#) [7-6609955-2](#) [FN361-6-06](#) [FN389-4-22](#) [FN9233S1-10-06](#) [FN9233S1-8-06](#) [FN9233S1B-8-06](#) [FN9233S1R-1-06](#)
[FN9233S1R-12-06](#) [FN9233SB-1-06](#) [FN9233SB-12-06](#) [FN9233SB-8-06](#) [FN9233SR-10-06](#) [FN9244B-15-06HI](#) [FN9244EB-3-06](#) [FN9244EB-8-06](#) [FN9244ER-15-06](#) [FN9244ER-8-06](#) [FN9244ES1-8-06](#) [FN9244ESB-8-06](#) [FN9244R-12-06](#) [FN9244S1-12-06](#) [FN9244S1R-3-06](#)
[FN9244SB-8-06](#) [FN9244SR-10-06](#) [FN9244SR-3-06](#) [FN9244SR-6-06](#) [FN9244U-3-06](#) [FN9244U-8-06](#) [PE00SSSXB](#) [Fuse-H-EUR-1](#)
[PM00XD000](#) [15EJMS8](#) [1-6609941-2](#) [200JM6-2](#) [CA121003-6](#) [SK-1015\(F1-5\)](#) [1-6609153-2](#) [FN323-1-05](#) [FN372-2-](#) [FN9233B-8-06](#)
[FN9233EB-1-06](#) [FN9233ES1R-10-06](#) [FN9233S-10-06](#) [FN9233S1B-10-06](#) [FN9233S1B-12-06](#) [FN9233S1B-6-06](#) [FN9233U-6-06](#) [FN9244-6-07](#)