

SCHAFFNER

energy efficiency and reliability

FN 9280 & FN9290 Series IEC Power Entry Modules



Schaffner Group

FN9280 & FN9290 Series: Features

Approvals



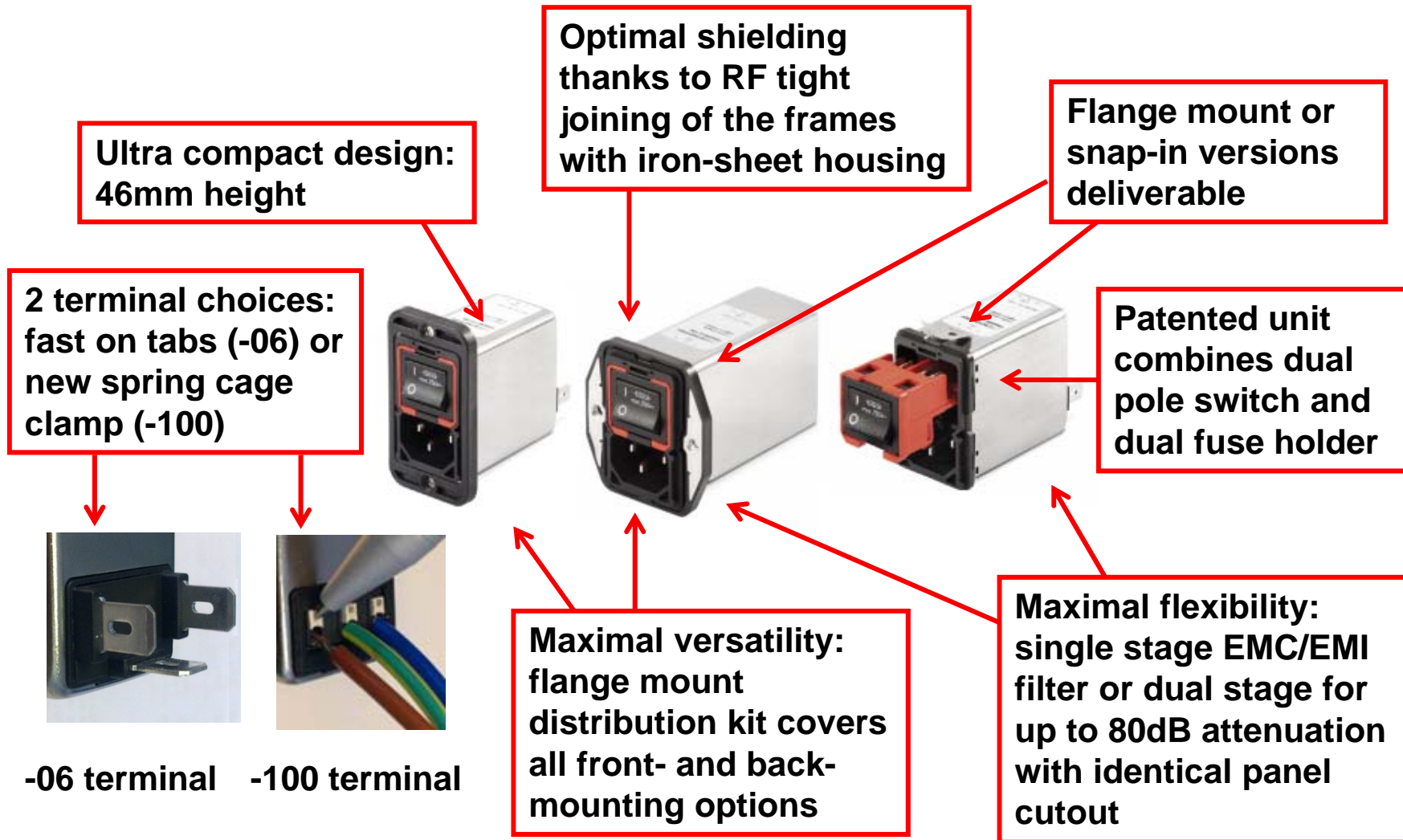
(CQC approval pending)

RoHS



- **UL, CSA, ENEC and CQC approvals for worldwide application**
- **FN 9280 with single stage filter**
- **FN9290 with dual stage filter**
- **Ultra compact design**
- **Rated currents from 1A to 10A**
- **Dual fuse holder**
- **2-pole rocker switch**
- **Good attenuation performance**
- **Faston or spring cage terminals**

FN9280 & FN9290 Series: The New IEC Power Module Families

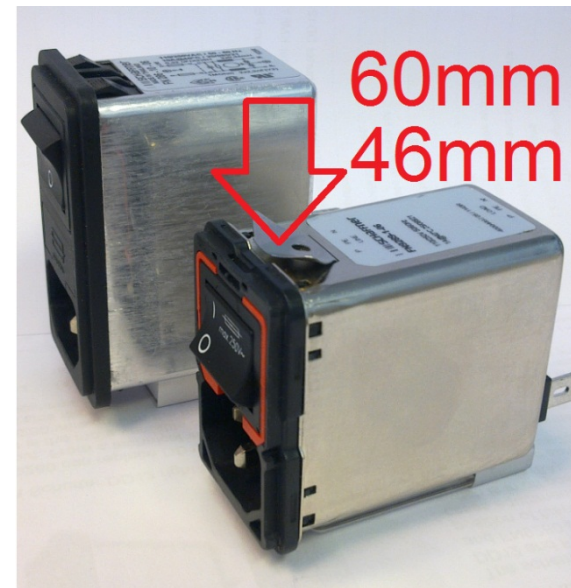


FN9280 & FN9289 Series: Ultra Compact Design

- Best in class design with only 46mm height
- Excellent shielding with sheet-metal-enclosed housing
- Improved filter performance
- Flange mount (FN9280) or snap-in (FN9289) versions



comparison FN9282 vs. FN282



comparison FN9289 vs. FN286

FN9280 & FN9290 Series: New Patented Mounting Flanges



Flange Mount Distribution Kit

Scope of delivery:

- 1 filter, 2 frames, 2 self tapping screws and 2 washers for rear mounting cover
- 4 flange mount versions:
 - Front mounting
 - Rear mounting
 - Mounting holes top/bottom
 - Mounting holes left/right



FN9280 & FN9290 Series: New Patented Plug-In Unit

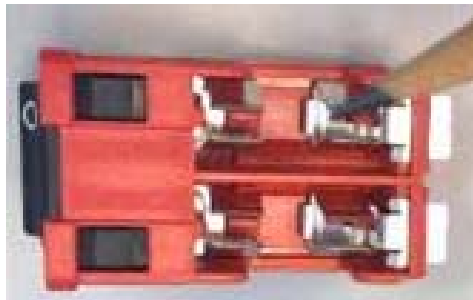


Removable with simple tools

High quality dual pole switch and dual fuse holder combined in one unit



Extra safe dual fuse holder

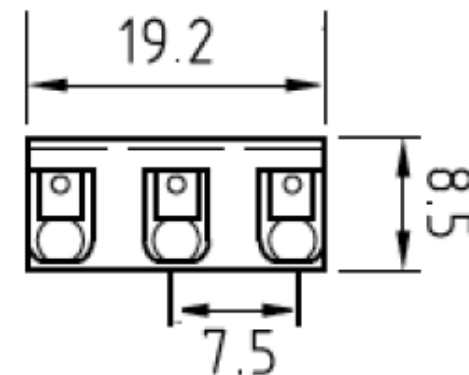


spare fuse holder



FN9280 & FN9290 Series: New Spring Cage Clamp Terminal (-100)

- Schaffner introduces with the spring cage clamp a new terminal for IEC power entry modules
- Clamping range 0.20 – 1.6 mm² (AWG24 - AWG16) for solid or flexible wire
- Complies with protection level IP20



FN9280 Series: Filter Versions

Standard Version: FN9280 series

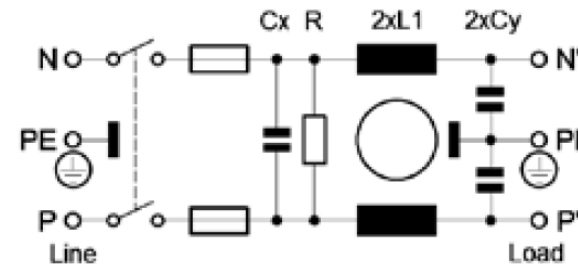
- Proven single stage EMC/EMI filter with good attenuation performance
- Integrated bleed resistor to cover all safety standards
- High quality dual pole line switch
- X- and Y- caps designed to comply with all safety standards
- Medical Version (B) without Y- caps

Optional Version: FN9280E series

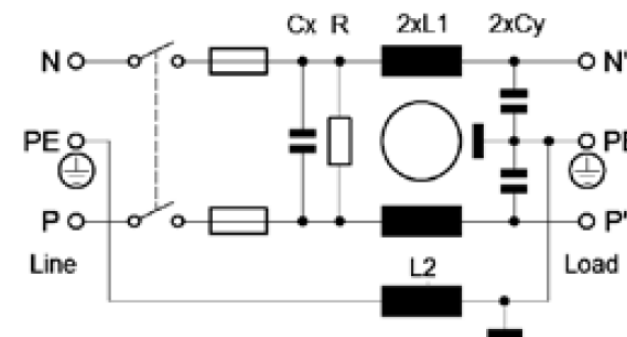
- Integrated earth line choke to suppress earth ground loops and asymmetric noise

Typical electrical schematic

FN 9280 Standard types (B types without Cy)



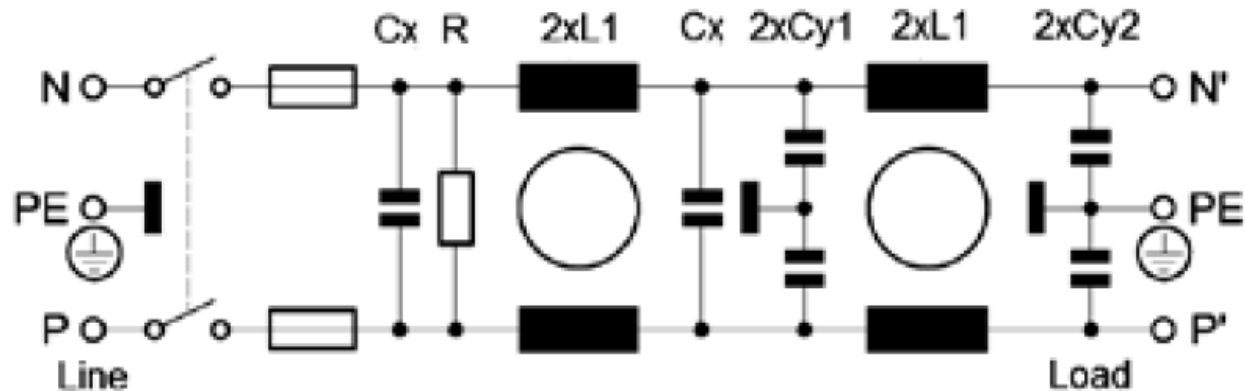
FN 9280 E types (B types without Cy)



FN9290 Series: High Performance EMC/EMI Filters

- Dual stage EMC EMI filter with up to 80dB attenuation
- Safety and low leakage current design identical with FN9280 series
- Medical Version (B) without Y- caps

FN 9290 Standard types (B types without Cy)



FN9280 & FN9290 Series: Maximal Flexibility

- ✓ All series with identical cutout
 - ✓ All series with identical mounting possibilities
 - ✓ All series with identical terminal choice
- = Large variety enables fast EMC system approval with standard filter program



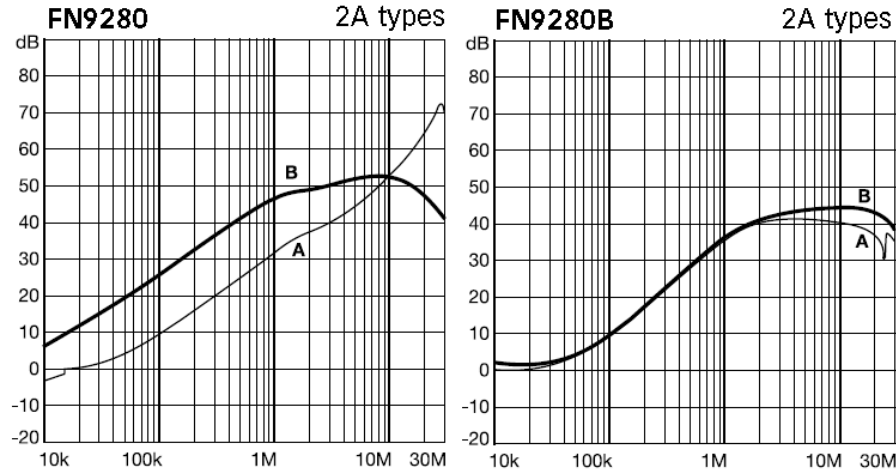
FN9280
FN9280B
(short version)



FN9280E
FN9280BE
FN9290
FN9290B
(long version)

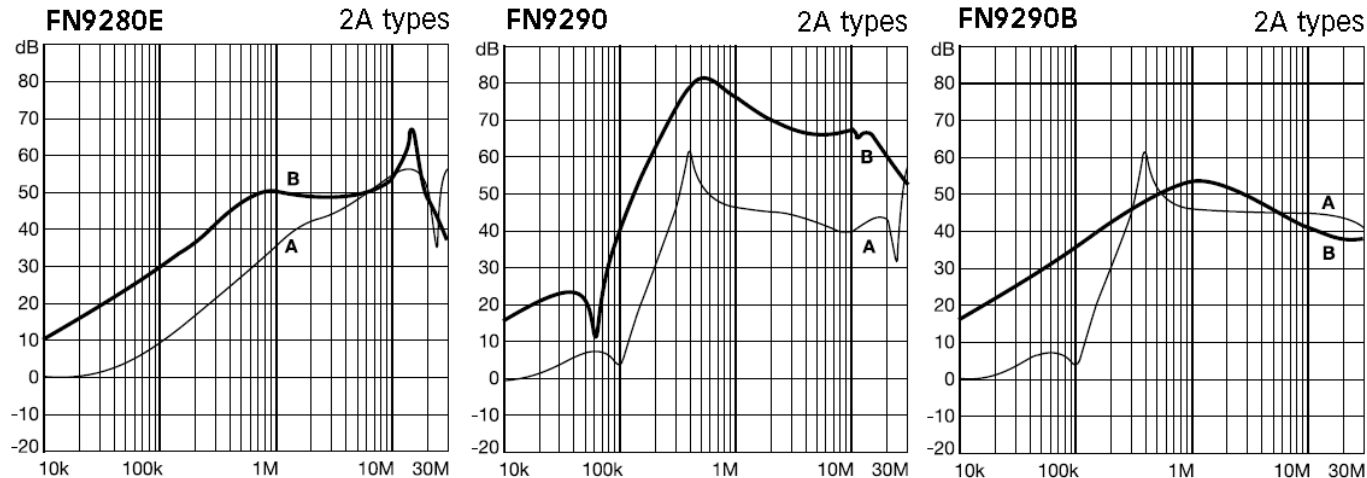
FN9280 & FN9290 Series: EMC design support

Typical filter attenuation



A = 50Ω/50Ω sym; B = 50Ω/50Ω asym

- Datasheet with attenuation curves of all filter types including medical versions



FN9280 & FN9290 series: Typical Applications



- **Portable electrical and electric equipment**
- **High end consumer goods**
- **EDP and office equipment**
- **Single phase power supplies**
- **Switch mode power supplies**
- **Test and measurement equipment**
- **Medical electrical devices (MD)**
- **In-Vitro-Diagnostic devices (IVD)**

50 YEARS
since 1962



SCHAFFNER
energy efficiency and reliability



Thank you very much for your attention !

Visit us on www.schaffner.com

X-ON Electronics

Largest Supplier of Electrical and Electronic Components

Click to view similar products for [AC Power Entry Modules](#) category:

Click to view products by [Schaffner](#) manufacturer:

Other Similar products are found below :

[0098.0050](#) [6-1609987-9](#) [6167.0002](#) [7-6609955-2](#) [FN389-4-22](#) [FN9233ER-12-06](#) [FN9233S1-10-06](#) [FN9233S1-8-06](#) [FN9233S1B-8-06](#)
[FN9233S1R-1-06](#) [FN9233S1R-12-06](#) [FN9233SB-1-06](#) [FN9233SB-12-06](#) [FN9233SB-8-06](#) [FN9233SR-10-06](#) [FN9233SR-3-06](#) [FN9244B-15-06](#)
[HI](#) [FN9244EB-3-06](#) [FN9244EB-8-06](#) [FN9244ER-15-06](#) [FN9244ER-8-06](#) [FN9244ES1-8-06](#) [FN9244ESB-8-06](#) [FN9244EU-6-06](#)
[FN9244R-12-06](#) [FN9244R-3-07](#) [FN9244R-8-06](#) [FN9244S1-10-06](#) [FN9244S1-12-06](#) [FN9244S1-3-06](#) [FN9244S1B-6-06](#) [FN9244S1R-3-06](#)
[FN9244S-6-06](#) [FN9244SB-10-06](#) [FN9244SB-6-06](#) [FN9244SB-8-06](#) [FN9244SR-10-06](#) [FN9244SR-6-06](#) [FN9244U-3-06](#) [FN9244U-8-06](#)
[FN9260A-6-06](#) [PE00SSSXB](#) [Fuse-H-EUR-1](#) [Fuse-H-USA-1](#) [PM00XD000](#) [PS0SSDBX0](#) [PS0SXSH3B](#) [A-0701-HT-H](#) [RAPC3FG](#) [15EJMS8](#)