

## Power Cord with angled Locking System C13



- Protects appliances that are vulnerable to vibration
- Connector cannot be accidentally pulled or vibrated out of the inlet
- Space availability/constraints
- Different angles for ease of access
- Space saving
- Release locking mechanism
- Prevents accidental disconnection



### Approvals & Compliances



### Technical Specifications

<b>Temperature range (operation and storage)</b>	-25°C to +70°C
<b>Connector (line side) and cables</b>	Please refer to Available combinations IL 13 table
<b>Connector (load side)</b>	IEC C13 according to IEC/EN 60320-2-2 with IEC Lock UL 498, CSA C22.2 no. 42, Protection Class I
<b>Flammability corresponding to</b>	Plugs: UL 94 V-2 or better; Cable: IEC 60332-1 Cat. F2
<b>High potential test voltage</b>	P-> PE 2000 VAC (1 min 50 Hz) P-> N 2000 VAC (1 min 50 Hz)
<b>Maximum continuous operating voltage</b>	250 VAC, 50/60 Hz
<b>Protection category</b>	IP 20 according IEC 60529
<b>Rated currents</b>	10 A for C13 plug

### Cable Selection Table IL 13

<b>IL 13P-R-C14-H05-3100-X*</b>	right angled IEC cable assembly with locking system for IEC C14 inlet
<b>IL 13P-L-EU1-H05-3100-X*</b>	left angled IEC cable assembly with locking system for IEC C14 inlet, EU version
<b>IL 13P-U-SE-H05-3100-X*</b>	up angled IEC cable assembly with locking system for IEC C14 inlet, stripped ends
<b>IL 13P-D-UK1-H05-3100-X*</b>	down angled IEC cable assembly with locking system for IEC C14 inlet, UK version

To compile a complete part number, please replace the X\* with the required length (please refer to table below for available length per cable type):

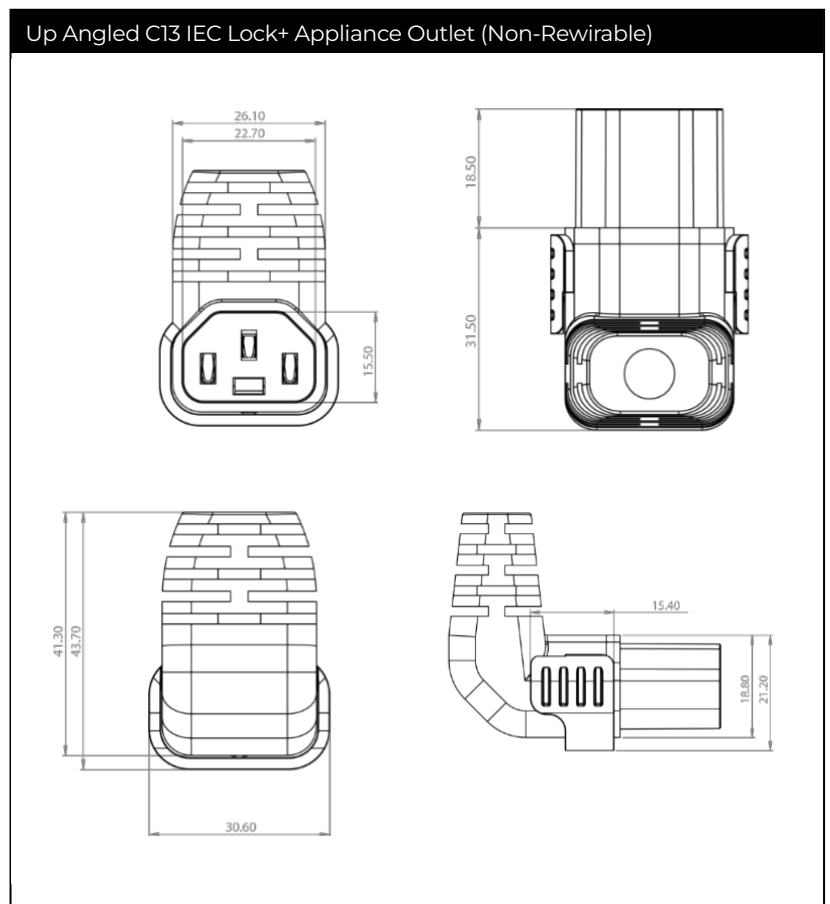
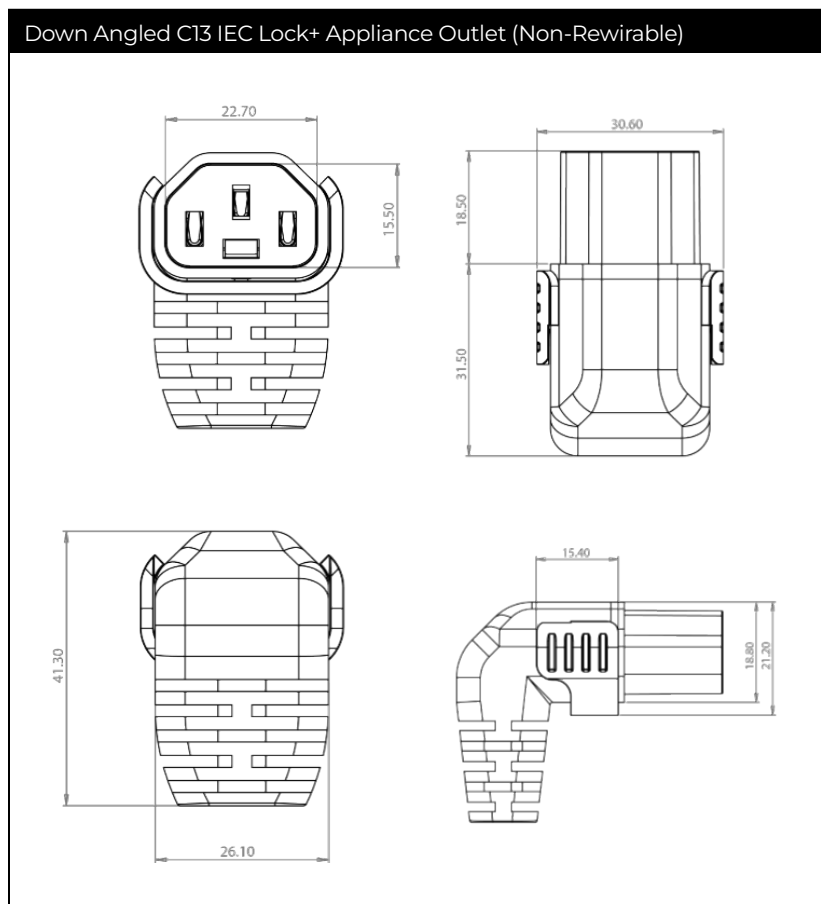
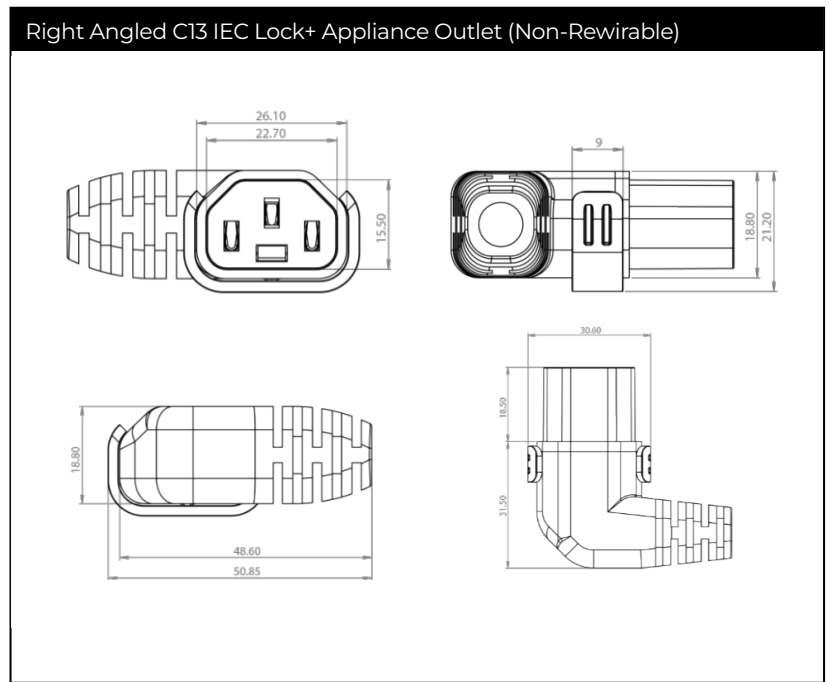
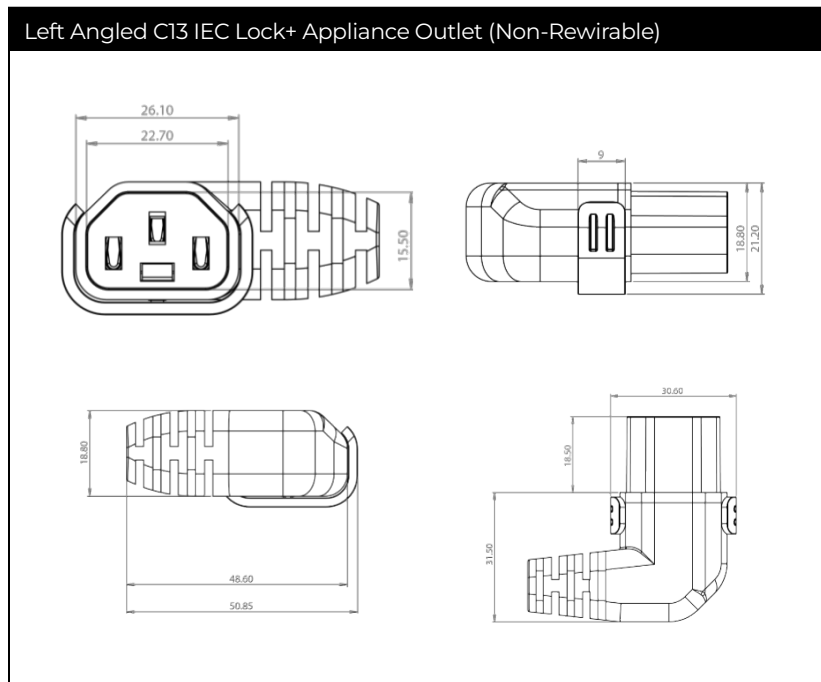
- X\* options = 200, 300 cm

### Available Combinations IL 13

To compile a complete part number exchange the letters (IL13P-yyy-zzz-aaa-bbb-c) with the data from the table below.

Load side IL13P IL13P (-R/-L/-D/-U)		Line side plug yyy	Cable type zzz	Cable core aaa	Rating	Cable length* bbb		Cable color c	Cert.			
<b>IL13P-R</b>	IEC C13 Female plug, right angled, lock	IEC C14, male, straight	C14	H05VV-F H05	3x1.00mm <sup>2</sup>	3100	250VAC 10A	100 cm 200 cm 300 cm	100 200 300	Black	-	CB KC KEMA SAA
		CEE 7/VII, right angled or straight	EU1									
		Stripped Ends BS1363, right angled fused 5A	SE UK1									
<b>IL13P-L</b>	IEC C13 Female plug, left angled, lock	IEC C14, male, straight	C14	H05VV-F H05	3x1.0mm <sup>2</sup>	3100	250VAC 10A	100 cm 200 cm 300 cm	100 200 300	Black	-	CB KC KEMA SAA
		CEE 7/VII, right angled or straight	EU1									
		Stripped Ends BS1363, right angled fused 5A	SE UK1									
<b>IL13P-D</b>	IEC C13 Female plug, down angled, lock	IEC C14, male, straight	C14	H05VV-F H05	3x1.0mm <sup>2</sup>	3100	250VAC 10A	100 cm 200 cm 300 cm	100 200 300	Black	-	CB KC KEMA SAA
		CEE 7/VII, right angled or straight	EU1									
		Stripped Ends BS1363, right angled fused 5A	SE UK1									
<b>IL13P-U</b>	IEC C13 Female plug, up angled, lock	IEC C14, male, straight	C14	H05VV-F H05	3x1.0mm <sup>2</sup>	3100	250VAC 10A	100 cm 200 cm 300 cm	100 200 300	Black	-	CB KC KEMA SAA
		CEE 7/VII, right angled or straight	EU1									
		Stripped Ends BS1363, right angled fused 5A	SE UK1									

\*feet values are calculated to the matching length in cm



## Headquarters, Global Innovation and Development

### Switzerland

#### Schaffner Holding AG

Industrie Nord  
 Nordstrasse 11e  
 4542  
 Luterbach  
 +41 32 681 66 26  
[info@schaffner.com](mailto:info@schaffner.com)

## Sales and Application Centers

### China

#### Schaffner EMC Ltd. Shanghai

T20-3 C, No 565 Chuangye Road, Pudong district  
 201201  
 Shanghai  
 +86 2138139500  
[cschina@schaffner.com](mailto:cschina@schaffner.com)

### Finland

#### Schaffner Oy

Sauvonrinne 19 H  
 8500  
 Lohja  
 +358 50 468 7284  
[finlandsales@schaffner.com](mailto:finlandsales@schaffner.com)

### France

#### Schaffner EMC S.A.S.

16-20 Rue Louis Rameau  
 95875  
 Bezons  
 +33 1 34 34 30 60  
[francesales@schaffner.com](mailto:francesales@schaffner.com)

### Germany

#### Schaffner Deutschland GmbH

Schoemperlenstrasse 12B  
 76185  
 Karlsruhe  
 +49 721 56910  
[germanysales@schaffner.com](mailto:germanysales@schaffner.com)

### India

#### Schaffner India Pvt. Ltd

Regus World Trade Centre  
 WTC, 22nd Floor Unit No 2238, Brigade Gateway Campus, 26/1, Dr. Rajkumar Road Malleshwaram (W)  
 560055  
 Bangalore  
 +91 8067935355  
[indiasales@schaffner.com](mailto:indiasales@schaffner.com)

### Italy

#### Schaffner EMC S.r.l.

Via Ticino, 30  
 20900  
 Monza (MB)  
 +39 039 21 41 070  
[italysales@schaffner.com](mailto:italysales@schaffner.com)

### Japan

#### Schaffner EMC K.K.

ISM Sangenjaya 7F  
 1-32-12 Kamiyama, Setagaya-ku  
 154-0011  
 Tokyo  
 +81 3 5712 3650  
[japansales@schaffner.com](mailto:japansales@schaffner.com)

### Singapore

#### Schaffner EMC Pte Ltd.

Blk 3015A Ubi Road 1, #05-09, Kampong Ubi Industrial Estate  
 408705  
 Singapore  
 +65 63773283  
[singaporesales@schaffner.com](mailto:singaporesales@schaffner.com)

### Spain

#### Schaffner EMC España

Calle Caléndula 93, Miniparc III, Edificio E El Soto de Moraleja, Alcobendas  
 28109  
 Madrid  
 +34 917 912 900  
[spainsales@schaffner.com](mailto:spainsales@schaffner.com)

### Sweden

#### Schaffner EMC AB

Östermalmstrorg 1  
 114 42  
 Stockholm  
 +46 8 5050 2425  
[swedensales@schaffner.com](mailto:swedensales@schaffner.com)

### Switzerland

#### Schaffner EMV AG

Industrie Nord  
 Nordstrasse 11e  
 4542  
 Luterbach  
 +41 32 681 66 26  
[switzerlandsales@schaffner.com](mailto:switzerlandsales@schaffner.com)

### Taiwan

#### Schaffner EMV Ltd.

U-Town  
 20 Floor-2, No 97, Section 1, XinTai 5th Road, XiZhi District  
 22175  
 New Taipei City  
 +886 226975500  
[taiwansales@schaffner.com](mailto:taiwansales@schaffner.com)

### Thailand

#### Schaffner EMC Co. Ltd.

Sathorn Square Tower  
 Room 3780, 37FL, 98 North-Sathorn Rd, Silom, Bangrak  
 10500  
 Bangkok  
 +66 621056397  
[thailandsales@schaffner.com](mailto:thailandsales@schaffner.com)

### United Kingdom

#### Schaffner Ltd.

1, Oakmede Place  
 Terrace Road  
 RG42 4JF  
 Binfield  
 +44 118 9770070  
[uksales@schaffner.com](mailto:uksales@schaffner.com)

### United States

#### Schaffner EMC Inc.

52 Mayfield Avenue  
 Edison, New Jersey  
 +1 732 225 9533  
[usasales@schaffner.com](mailto:usasales@schaffner.com)

To find your local partner within Schaffner's global network [schaffner.com](http://schaffner.com)

© 2022 Schaffner Group

The content of this document has been carefully checked and understood. However, neither Schaffner nor its subsidiaries assume any liability whatsoever for any errors or inaccuracies of this document and the consequences thereof. Published specifications are subject to change without notice. Product suitability for any area of application must ultimately be determined by the customer. In all cases, products must never be operated outside their published specifications. Schaffner does not guarantee the availability of all published products. This disclaimer shall be governed by substantive Swiss law and resulting disputes shall be settled by the courts at the place of business of Schaffner Holding AG. Latest publications and a complete disclaimer can be downloaded from the Schaffner website. All trademarks recognized.

## X-ON Electronics

Largest Supplier of Electrical and Electronic Components

*Click to view similar products for [AC Power Leads](#) category:*

*Click to view products by [Schaffner](#) manufacturer:*

Other Similar products are found below :

[YP-61+YC12](#) [YP21A+YC13](#) [6601](#) [FTP-629Y603](#) [1700001947](#) [IL13-EU1-H05-3100-300-S](#) [2217913-1](#) [P28976-M45](#) [BB-3271V86](#) [P29844-M5](#) [P29844-M10](#) [P28818-M6](#) [387005324](#) [387005325](#) [59903000000](#) [387007040](#) [IL13P-EU1-H05-3100-300](#) [PCAK2](#) [EM9169](#) [32004](#) [32002](#) [W-98979](#) [W-98980](#) [W-98983](#) [W-98987](#) [W-99183](#) [AM TO TYPE-C-0.3M](#) [HC-3C1.5MM-Z-P](#) [HC-CE1.2MM-W-K](#) [AK-RD-07A](#) [LPS275](#) [18049236](#) [LA0055](#) [HC-3C1.5MM-W-P](#) [NUFPWC-03PMMS-LC500](#) [NUF-MSAP-08BMMM-RJ](#) [BEST 053](#) [W-99469](#) [W2243](#) [W-99945](#) [W-99764](#) [W-98642](#) [W-98643](#) [W-99440](#) [W-97783](#) [W-99175](#) [W-97760](#) [W-99243](#) [M02411](#) [W-98692](#)