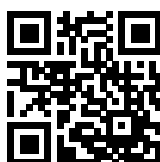


Power Cord with angled Locking System C13



- Protects appliances that are vulnerable to vibration
- Connector cannot be accidentally pulled or vibrated out of the inlet
- Space availability/constraints
- Different angles for ease of access
- Space saving
- Release locking mechanism
- Prevents accidental disconnection



Approvals & Compliances



Technical Specifications

Temperature range (operation and storage)	-25°C to +70°C
Connector (line side) and cables	Please refer to Available combinations IL 13 table
Connector (load side)	IEC C13 according to IEC/EN 60320-2-2 with IEC Lock UL 498, CSA C22.2 no. 42, Protection Class I
Flammability corresponding to	Plugs: UL 94 V-2 or better; Cable: IEC 60332-1 Cat. F2
High potential test voltage	P-> PE 2000 VAC (1 min 50 Hz) P-> N 2000 VAC (1 min 50 Hz)
Maximum continuous operating voltage	250 VAC, 50/60 Hz
Protection category	IP 20 according IEC 60529
Rated currents	10 A for C13 plug

Cable Selection Table IL 13

IL 13P-R-C14-H05-3100-X*	right angled IEC cable assembly with locking system for IEC C14 inlet
IL 13P-L-EU1-H05-3100-X*	left angled IEC cable assembly with locking system for IEC C14 inlet, EU version
IL 13P-U-SE-H05-3100-X*	up angled IEC cable assembly with locking system for IEC C14 inlet, stripped ends
IL 13P-D-UK1-H05-3100-X*	down angled IEC cable assembly with locking system for IEC C14 inlet, UK version

To compile a complete part number, please replace the X* with the required length (please refer to table below for available length per cable type):

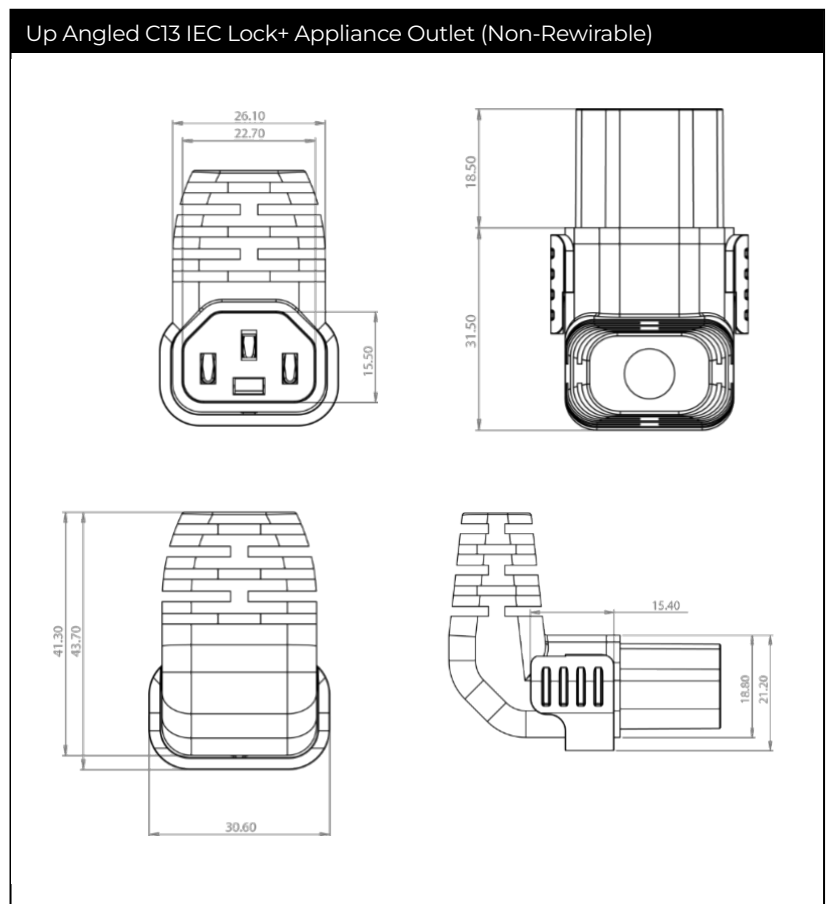
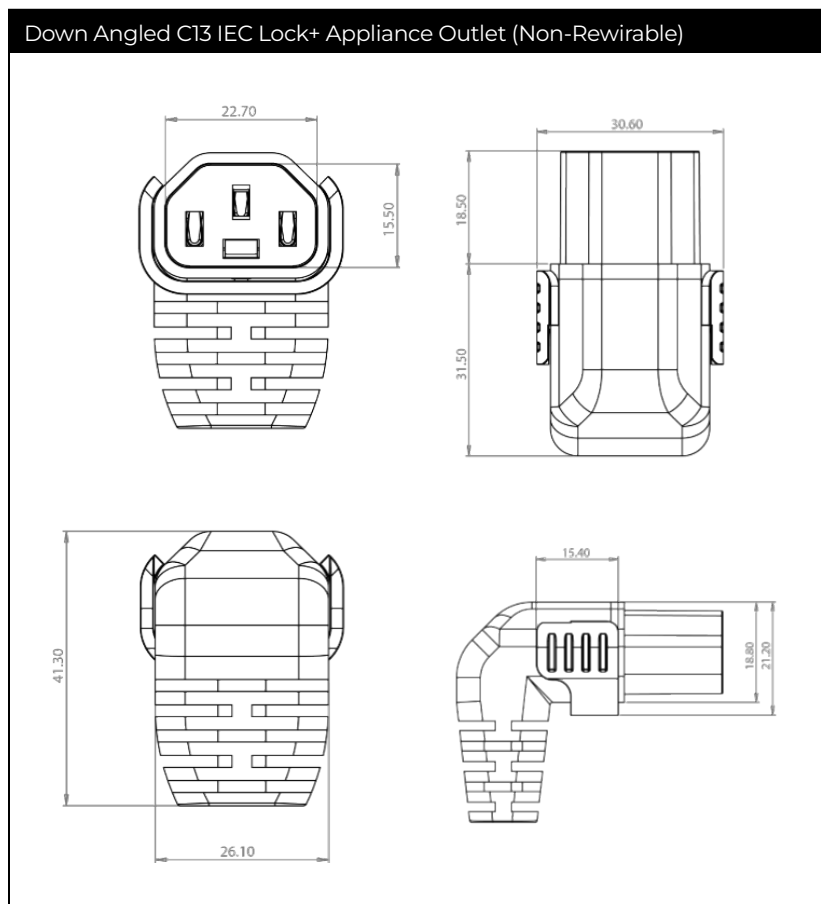
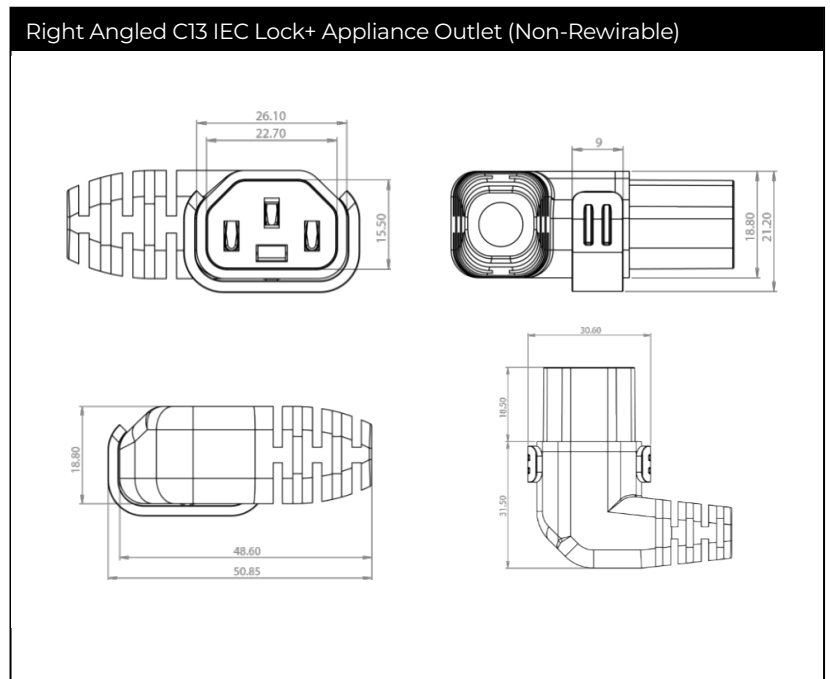
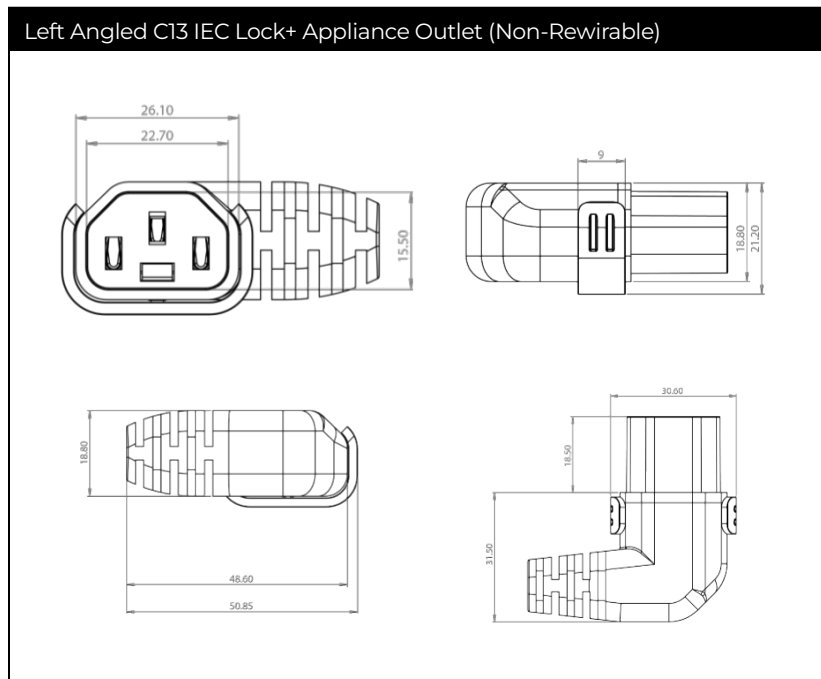
- X* options = 200, 300 cm

Available Combinations IL 13

To compile a complete part number exchange the letters (IL13P-yyy-zzz-aaa-bbb-c) with the data from the table below.

Load side IL13P IL13P (-R/-L/-D/-U)		Line side plug yyy	Cable type zzz	Cable core aaa	Rating	Cable length* bbb		Cable color c	Cert.			
IL13P-R	IEC C13 Female plug, right angled, lock	IEC C14, male, straight	C14	H05VV-F H05	3x1.00mm ²	3100	250VAC 10A	100 cm 200 cm 300 cm	100 200 300	Black	-	CB KC KEMA SAA
		CEE 7/VII, right angled or straight	EU1									
		Stripped Ends BS1363, right angled fused 5A	SE UK1									
IL13P-L	IEC C13 Female plug, left angled, lock	IEC C14, male, straight	C14	H05VV-F H05	3x1.0mm ²	3100	250VAC 10A	100 cm 200 cm 300 cm	100 200 300	Black	-	CB KC KEMA SAA
		CEE 7/VII, right angled or straight	EU1									
		Stripped Ends BS1363, right angled fused 5A	SE UK1									
IL13P-D	IEC C13 Female plug, down angled, lock	IEC C14, male, straight	C14	H05VV-F H05	3x1.0mm ²	3100	250VAC 10A	100 cm 200 cm 300 cm	100 200 300	Black	-	CB KC KEMA SAA
		CEE 7/VII, right angled or straight	EU1									
		Stripped Ends BS1363, right angled fused 5A	SE UK1									
IL13P-U	IEC C13 Female plug, up angled, lock	IEC C14, male, straight	C14	H05VV-F H05	3x1.0mm ²	3100	250VAC 10A	100 cm 200 cm 300 cm	100 200 300	Black	-	CB KC KEMA SAA
		CEE 7/VII, right angled or straight	EU1									
		Stripped Ends BS1363, right angled fused 5A	SE UK1									

*feet values are calculated to the matching length in cm



Headquarters, Global Innovation and Development

Switzerland

Schaffner Holding AG

Industrie Nord
Nordstrasse 11e
4542
Luterbach
+41 32 681 66 26
info@schaffner.com

Sales and Application Centers

China

Schaffner EMC Ltd. Shanghai

T20-3 C, No 565 Chuangye Road, Pudong district
201201
Shanghai
+86 2138139500
cschina@schaffner.com

Finland

Schaffner Oy

Sauvonrinne 19 H
8500
Lohja
+358 50 468 7284
finlandsales@schaffner.com

France

Schaffner EMC S.A.S.

16-20 Rue Louis Rameau
95875
Bezons
+33 1 34 34 30 60
francesales@schaffner.com

Germany

Schaffner Deutschland GmbH

Schoemperlenstrasse 12B
76185
Karlsruhe
+49 721 56910
germanysales@schaffner.com

India

Schaffner India Pvt. Ltd

Regus World Trade Centre
WTC, 22nd Floor Unit No 2238, Brigade Gateway Campus, 26/1, Dr. Rajkumar Road Malleshwaram (W)
560055
Bangalore
+91 8067935355
indiasales@schaffner.com

Italy

Schaffner EMC S.r.l.

Via Ticino, 30
20900
Monza (MB)
+39 039 21 41 070
italysales@schaffner.com

Japan

Schaffner EMC K.K.

ISM Sangenjaya 7F
1-32-12 Kamiyama, Setagaya-ku
154-0011
Tokyo
+81 3 5712 3650
japansales@schaffner.com

Singapore

Schaffner EMC Pte Ltd.

Blk 3015A Ubi Road 1, #05-09, Kampong Ubi Industrial Estate
408705
Singapore
+65 63773283
singaporesales@schaffner.com

Spain

Schaffner EMC España

Calle Caléndula 93, Miniparc III, Edificio E El Soto de Moraleja, Alcobendas
28109
Madrid
+34 917 912 900
spainsales@schaffner.com

Sweden

Schaffner EMC AB

Östermalmstrorg 1
114 42
Stockholm
+46 8 5050 2425
swedensales@schaffner.com

Switzerland

Schaffner EMV AG

Industrie Nord
Nordstrasse 11e
4542
Luterbach
+41 32 681 66 26
switzerlandsales@schaffner.com

Taiwan

Schaffner EMV Ltd.

U-Town
20 Floor-2, No 97, Section 1, XinTai 5th Road, XiZhi District
22175
New Taipei City
+886 226975500
taiwansales@schaffner.com

Thailand

Schaffner EMC Co. Ltd.

Sathorn Square Tower
Room 3780, 37FL, 98 North-Sathorn Rd, Silom, Bangrak
10500
Bangkok
+66 621056397
thailandsales@schaffner.com

United Kingdom

Schaffner Ltd.

1, Oakmede Place
Terrace Road
RG42 4JF
Binfield
+44 118 9770070
uksales@schaffner.com

United States

Schaffner EMC Inc.

52 Mayfield Avenue
Edison, New Jersey
+1 732 225 9533
usasales@schaffner.com

To find your local partner within Schaffner's global network schaffner.com

© 2022 Schaffner Group

The content of this document has been carefully checked and understood. However, neither Schaffner nor its subsidiaries assume any liability whatsoever for any errors or inaccuracies of this document and the consequences thereof. Published specifications are subject to change without notice. Product suitability for any area of application must ultimately be determined by the customer. In all cases, products must never be operated outside their published specifications. Schaffner does not guarantee the availability of all published products. This disclaimer shall be governed by substantive Swiss law and resulting disputes shall be settled by the courts at the place of business of Schaffner Holding AG. Latest publications and a complete disclaimer can be downloaded from the Schaffner website. All trademarks recognized.

X-ON Electronics

Largest Supplier of Electrical and Electronic Components

Click to view similar products for [AC Power Leads](#) category:

Click to view products by [Schaffner](#) manufacturer:

Other Similar products are found below :

[YP-61+YC12](#) [YP21A+YC13](#) [6601](#) [FTP-629Y603](#) [1700001947](#) [IL13-EU1-H05-3100-300-S](#) [2217913-1](#) [P28976-M45](#) [BB-3271V86](#) [P29844-M5](#) [P29844-M10](#) [P28818-M6](#) [387005324](#) [387005325](#) [59903000000](#) [387007040](#) [IL13P-EU1-H05-3100-300](#) [PCAK2](#) [EM9169](#) [32004](#) [32002](#) [W-98979](#) [W-98980](#) [W-98983](#) [W-98987](#) [W-99183](#) [AM TO TYPE-C-0.3M](#) [HC-3C1.5MM-Z-P](#) [HC-CE1.2MM-W-K](#) [AK-RD-07A](#) [LPS275](#) [18049236](#) [LA0055](#) [HC-3C1.5MM-W-P](#) [NUFPWC-03PMMS-LC500](#) [NUF-MSAP-08BMMM-RJ](#) [BEST 053](#) [W-99469](#) [W2243](#) [W-99945](#) [W-99764](#) [W-98642](#) [W-98643](#) [W-99440](#) [W-97783](#) [W-99175](#) [W-97760](#) [W-99243](#) [M02411](#) [W-98692](#)