

Adapter-Plate AP-G-130x130x26

Part no.:10.01.12.03876

<https://www.schmalz.com/10.01.12.03876>

Homepage > Vacuum Clamping Technology > Clamping Equipment for Woodworking > Clamping Equipment for Nesting Table Systems >

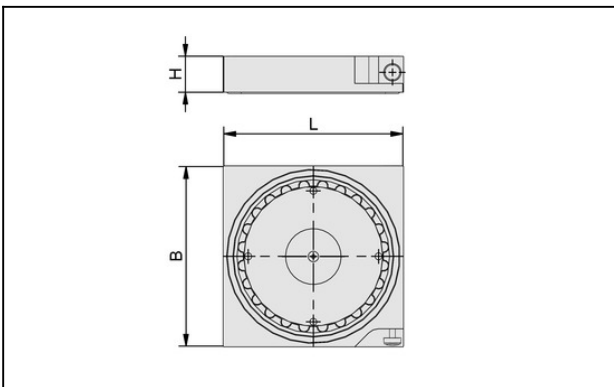
Adapter-Plates AP-G > AP-G-130x130x26

Adapter-Plate AP for usage of Vacuum Blocks VCBL-B



for: Smooth Table Systems
 Working height H1 (max): 100 mm
 Length L: 130 mm
 Width B: 130 mm
 Height H: 26 mm

Design Data



Attribute	Value
B	130 mm
H	26 mm
L	130 mm

Accessories

Adapter-Plate AP-G-130x130x26

Part no.:10.01.12.03876

<https://www.schmalz.com/10.01.12.03876>



VCBL-B 140x130x29 TV

Part no.10.01.12.03165

Vacuum block

Dimensions (LxW): 140 x 130 mm

Height H: 29 mm

with: Sensing valve



VCBL-B 140x130x48 TV

Part no.10.01.12.03169

Vacuum block

Dimensions (LxW): 140 x 130 mm

Height H: 48 mm

with: Sensing valve



VCBL-B 140x130x74 TV

Part no.10.01.12.03173

Vacuum block

Dimensions (LxW): 140 x 130 mm

Height H: 74 mm

with: Sensing valve

Adapter-Plate AP-G-130x130x26

Part no.:10.01.12.03876

<https://www.schmalz.com/10.01.12.03876>



VCBL-B 125x75x29 TV

Part no.10.01.12.03166

Vacuum block

Dimensions (LxW): 125 x 75 mm

Height H: 29 mm

with: Sensing valve



VCBL-B 125x75x48 TV

Part no.10.01.12.03170

Vacuum block

Dimensions (LxW): 125 x 75 mm

Height H: 48 mm

with: Sensing valve



VCBL-B 125x75x74 TV

Part no.10.01.12.03174

Vacuum block

Dimensions (LxW): 125 x 75 mm

Height H: 74 mm

with: Sensing valve

Adapter-Plate

AP-G-130x130x26

Part no.:10.01.12.03876

<https://www.schmalz.com/10.01.12.03876>



VCBL-B 120x50x29 TV

Part no.10.01.12.03167

Vacuum block

Dimensions (LxW): 120 x 50 mm

Height H: 29 mm

with: Sensing valve



VCBL-B 120x50x48 TV

Part no.10.01.12.03171

Vacuum block

Dimensions (LxW): 120 x 50 mm

Height H: 48 mm

with: Sensing valve



VCBL-B 120x50x74 TV

Part no.10.01.12.03175

Vacuum block

Dimensions (LxW): 120 x 50 mm

Height H: 74 mm

with: Sensing valve

Adapter-Plate AP-G-130x130x26

Part no.:10.01.12.03876

<https://www.schmalz.com/10.01.12.03876>



VCBL-B 130x30x29 TV

Part no.10.01.12.03168

Vacuum block

Dimensions (LxW): 130 x 30 mm

Height H: 29 mm

with: Sensing valve



VCBL-B 130x30x48 TV

Part no.10.01.12.03172

Vacuum block

Dimensions (LxW): 130 x 30 mm

Height H: 48 mm

with: Sensing valve



VCBL-B 130x30x74 TV

Part no.10.01.12.03176

Vacuum block

Dimensions (LxW): 130 x 30 mm

Height H: 74 mm

with: Sensing valve

Adapter-Plate

AP-G-130x130x26

Part no.:10.01.12.03876

<https://www.schmalz.com/10.01.12.03876>



STV-W G1/4-AG 4

Part no.10.08.02.00157

Push-in Fitting, swivelling elbow

Thread G1: G1/4"-M

External hose diameter: 4 mm

Material: Brass, nickel-plated

Ambient temperature: -20 ... 80 °C



STV-W G1/4-AG 6

Part no.10.08.02.00159

Push-in Fitting, swivelling elbow

Thread G1: G1/4"-M

External hose diameter: 6 mm

Material: Brass, nickel-plated

Ambient temperature: -20 ... 80 °C



STV-W G1/4-AG 8

Part no.10.08.02.00161

Push-in Fitting, swivelling elbow

Thread G1: G1/4"-M

External hose diameter: 8 mm

Material: Brass, nickel-plated

Ambient temperature: -20 ... 80 °C

Adapter-Plate

AP-G-130x130x26

Part no.:10.01.12.03876

<https://www.schmalz.com/10.01.12.03876>



STV-W G1/4-AG 10

Part no.10.08.02.00254

Push-in Fitting, swivelling elbow

Thread G1: G1/4"-M

External hose diameter: 10 mm

Material: Brass, nickel-plated

Ambient temperature: -20 ... 80 °C



STV-W G1/4-AG 12

Part no.10.08.02.00162

Push-in Fitting, swivelling elbow

Thread G1: G1/4"-M

External hose diameter: 12 mm

Material: Brass, nickel-plated

Ambient temperature: -20 ... 80 °C



VRS-SB G1/4-AG ISKT O-Ring

Part no.10.08.06.00044

Sealing screw with collar

Thread G1: G1/4"-M

Material: Brass

Surface: nickel plated

X-ON Electronics

Largest Supplier of Electrical and Electronic Components

Click to view similar products for [Bench Top Tools](#) category:

Click to view products by [SCHMALZ](#) manufacturer:

Other Similar products are found below :

[0027](#) [6104-201-2102](#) [6104-201-2502](#) [6-1372442-6](#) [62500-1584](#) [63801-7252](#) [63801-7269](#) [69002-5525](#) [691667-1](#) [768539-1](#) [854130-1](#)
[854946-2](#) [856203-1](#) [904449-1](#) [9-22280-9](#) [986096-2](#) [992438-3](#) [1-21000-3](#) [1-21000-4](#) [1-21000-1](#) [1-25022-4](#) [1302263353](#) [1424264-1](#)
[1424267-1](#) [1428211-1](#) [1-455755-6](#) [1752324-1](#) [1752744-1](#) [18023-9](#) [189763-1](#) [1901726-1](#) [1954222-1](#) [2079747-1](#) [21001-2](#) [2119083-1](#)
[2119085-1](#) [2119371-1](#) [2161362-2](#) [2161930-1](#) [2217088-2](#) [2217339-1](#) [2217347-1](#) [22281-9](#) [22374-7](#) [240825-4](#) [992342-2](#) [2030790-2](#) [2063796-1](#) [2063799-2](#) [2119092-1](#)