

## Adapter-Plate

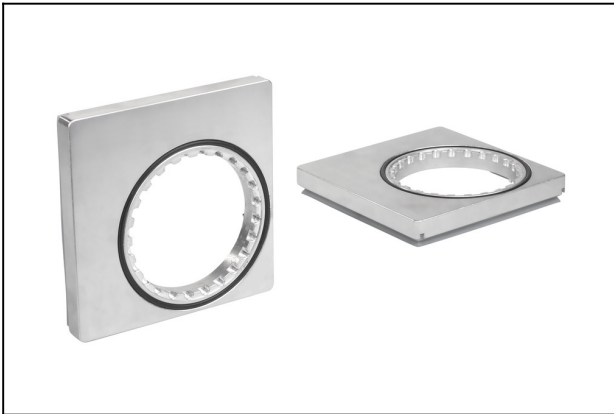
AP-R-160x160x16-50x50

Part no.:10.01.15.00296

<https://www.schmalz.com/10.01.15.00296>

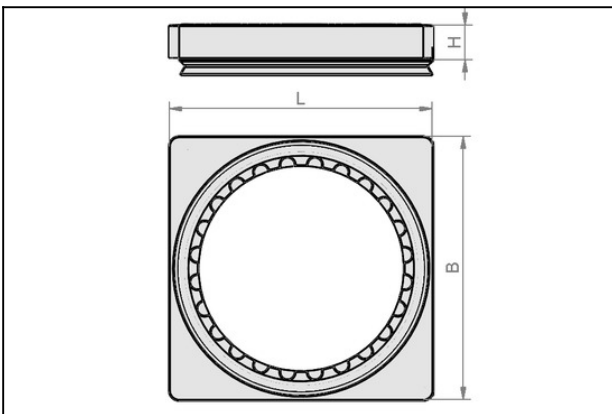
Homepage > Vacuum Clamping Technology > Clamping Equipment for Woodworking > Clamping Equipment for Grid Table Systems > Adapter-Plates AP-R > AP-R-160x160x16-50x50

### Adapter-Plate AP for usage of Vacuum Blocks VCBL-B



for: Grid table systems  
 Working height H1 (max): 45 mm  
 Length L: 160 mm  
 Width B: 160 mm  
 Height H: 16 mm  
 grid: 50 x 50 mm  
 for slot: 5x5 / 7x7

### Design Data



Attribute	Value
B	160 mm
H	16 mm
L	160 mm

### Accessories

## Adapter-Plate

AP-R-160x160x16-50x50

Part no.:10.01.15.00296

<https://www.schmalz.com/10.01.15.00296>



### VCBL-B 140x130x29 TV

Part no.10.01.12.03165

Vacuum block

Dimensions (LxW): 140 x 130 mm

Height H: 29 mm

with: Sensing valve



### VCBL-B 125x75x29 TV

Part no.10.01.12.03166

Vacuum block

Dimensions (LxW): 125 x 75 mm

Height H: 29 mm

with: Sensing valve



### VCBL-B 120x50x29 TV

Part no.10.01.12.03167

Vacuum block

Dimensions (LxW): 120 x 50 mm

Height H: 29 mm

with: Sensing valve

## Adapter-Plate

AP-R-160x160x16-50x50

Part no.:10.01.15.00296

<https://www.schmalz.com/10.01.15.00296>



### VCBL-B 130x30x29 TV

Part no.10.01.12.03168

Vacuum block

Dimensions (LxW): 130 x 30 mm

Height H: 29 mm

with: Sensing valve



### VCBL-B 140x130x48 TV

Part no.10.01.12.03169

Vacuum block

Dimensions (LxW): 140 x 130 mm

Height H: 48 mm

with: Sensing valve



### VCBL-B 125x75x48 TV

Part no.10.01.12.03170

Vacuum block

Dimensions (LxW): 125 x 75 mm

Height H: 48 mm

with: Sensing valve

## Adapter-Plate

AP-R-160x160x16-50x50

Part no.:10.01.15.00296

<https://www.schmalz.com/10.01.15.00296>



### VCBL-B 120x50x48 TV

Part no.10.01.12.03171

Vacuum block

Dimensions (LxW): 120 x 50 mm

Height H: 48 mm

with: Sensing valve



### VCBL-B 130x30x48 TV

Part no.10.01.12.03172

Vacuum block

Dimensions (LxW): 130 x 30 mm

Height H: 48 mm

with: Sensing valve



### VCBL-B 140x130x74 TV

Part no.10.01.12.03173

Vacuum block

Dimensions (LxW): 140 x 130 mm

Height H: 74 mm

with: Sensing valve

## Adapter-Plate

AP-R-160x160x16-50x50

Part no.:10.01.15.00296

<https://www.schmalz.com/10.01.15.00296>



### VCBL-B 125x75x74 TV

Part no.10.01.12.03174

Vacuum block

Dimensions (LxW): 125 x 75 mm

Height H: 74 mm

with: Sensing valve



### VCBL-B 120x50x74 TV

Part no.10.01.12.03175

Vacuum block

Dimensions (LxW): 120 x 50 mm

Height H: 74 mm

with: Sensing valve



### VCBL-B 130x30x74 TV

Part no.10.01.12.03176

Vacuum block

Dimensions (LxW): 130 x 30 mm

Height H: 74 mm

with: Sensing valve

## X-ON Electronics

Largest Supplier of Electrical and Electronic Components

*Click to view similar products for [Bench Top Tools](#) category:*

*Click to view products by [SCHMALZ](#) manufacturer:*

Other Similar products are found below :

[0027](#) [6104-201-2102](#) [6104-201-2502](#) [6-1372442-6](#) [62500-1584](#) [63801-7252](#) [63801-7269](#) [69002-5525](#) [691667-1](#) [768539-1](#) [854130-1](#)  
[854946-2](#) [856203-1](#) [904449-1](#) [9-22280-9](#) [986096-2](#) [992438-3](#) [1-21000-3](#) [1-21000-4](#) [1-21000-1](#) [1-25022-4](#) [1302263353](#) [1424264-1](#)  
[1424267-1](#) [1428211-1](#) [1-455755-6](#) [1752324-1](#) [1752744-1](#) [18023-9](#) [189763-1](#) [1901726-1](#) [1954222-1](#) [2079747-1](#) [21001-2](#) [2119083-1](#)  
[2119085-1](#) [2119371-1](#) [2161362-2](#) [2161930-1](#) [2217088-2](#) [2217339-1](#) [2217347-1](#) [22281-9](#) [22374-7](#) [240825-4](#) [992342-2](#) [2030790-2](#) [2063796-1](#) [2063799-2](#) [2119092-1](#)