

## Bell suction cup (round)

### FSG 20 SI-55 M5-AG

Part no.:10.01.06.00043

<https://www.schmalz.com/10.01.06.00043>

Homepage > Vacuum Technology for Automation > Vacuum Components > Vacuum Suction Cups > Bellows Suction Cups (Round) > Bellows Suction Cups FSG (2.5 Folds) > FSG 20 SI-55 M5-AG

## Bellows suction cup (round) for very uneven workpieces



Size: 20

Suction cup material: Silicone SI

Material hardness: 55 °Sh

Material characteristics:

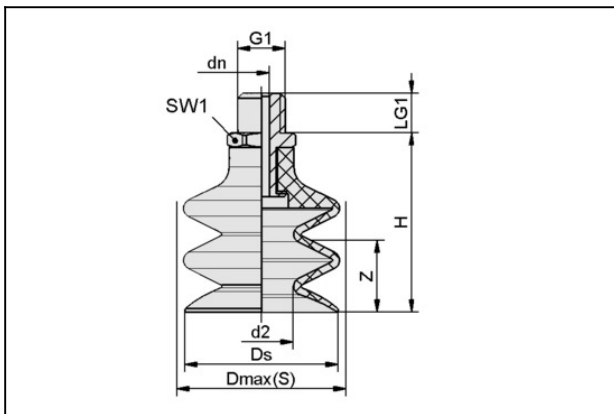
FDA-compatible

Nipple material: Aluminium

Vacuum connection: M5-M

Number of folds: 2.5

## Design Data



| Attribute  | Value   |
|------------|---------|
| d2         | 10.5 mm |
| dn         | 2.5 mm  |
| Dmax(S)    | 21 mm   |
| Ds         | 20 mm   |
| G1         | M5-AG   |
| H          | 27.1 mm |
| LG1        | 5 mm    |
| SW1        | 7 mm    |
| Z (Stroke) | 9 mm    |

## Technical Data

## Bell suction cup (round)

### FSG 20 SI-55 M5-AG

Part no.:10.01.06.00043

<https://www.schmalz.com/10.01.06.00043>



| Attribute                   | Value                 |
|-----------------------------|-----------------------|
| Suction cup material        | Silicone SI           |
| Material hardness [Shore A] | 55 Shore A            |
| Size                        | 20                    |
| Number of folds             | 2.5                   |
| Connection                  | M5-AG                 |
| Curve radius (min) (convex) | 30 mm                 |
| Volume                      | 2.298 cm <sup>3</sup> |
| Suction force (-600mbar)    | 5.2 N                 |
| Pull-off force              | 12.1 N                |
| Hose diameter (empf.) d     | 2 mm                  |
| Weight                      | 3.3 g                 |
| Product family              | FSG                   |

Note: Suction force: The specified suction forces are theoretical values at a vacuum of -0.6 bar and with a smooth, dry workpiece surface - they do not include a safety factor Pull-off force: The pull-off force of the versions made of natural rubber is reduced by about 40% Hose diameter: The recommended hose diameter refers to a hose length of approx. 2 m

## Spare Parts



### SA-NIP N016 M5-AG DN250

Part no.10.01.06.00123

Suction cup connection nipple

Nipple: N 016

Thread G1: M5-M

Overall length: 16 mm

Fitting length: 5 mm

Nominal size: 2,50 mm

Material: Aluminium

## Bell suction cup (round)

FSG 20 SI-55 M5-AG

Part no.:10.01.06.00043

<https://www.schmalz.com/10.01.06.00043>



### FG 20 SI-55 N016

Part no.10.01.06.00059

Bellows suction cup (round) for very uneven workpieces

Size: 20

Suction cup material: Silicone SI

Material hardness: 55 °Sh

Material characteristics:

FDA-compatible

Number of folds: 2.5

## Accessories



### FD 16 120

Part no.10.01.06.02565

Filter disc

External diameter D: 16 mm

Filter pore size: 120 µm

for: Bellows suction cup

Size: FG20/FGA20



### SPI 21 PEEK

Part no.10.01.06.03285

Suction cup insert for handling of sensitive workpieces without leaving marks

Size: 21

Material: Polyetheretherketon

## X-ON Electronics

Largest Supplier of Electrical and Electronic Components

*Click to view similar products for [Bench Top Tools](#) category:*

*Click to view products by [SCHMALZ](#) manufacturer:*

Other Similar products are found below :

[0027](#) [6104-201-2102](#) [6104-201-2502](#) [6-1372442-6](#) [62500-1584](#) [63801-7252](#) [63801-7269](#) [69002-5525](#) [691667-1](#) [768539-1](#) [854130-1](#)  
[854946-2](#) [856203-1](#) [904449-1](#) [9-22280-9](#) [986096-2](#) [992438-3](#) [1-21000-3](#) [1-21000-4](#) [1-21000-1](#) [1-25022-4](#) [1302263353](#) [1424264-1](#)  
[1424267-1](#) [1428211-1](#) [1-455755-6](#) [1752324-1](#) [1752744-1](#) [18023-9](#) [189763-1](#) [1901726-1](#) [1954222-1](#) [2079747-1](#) [21001-2](#) [2119083-1](#)  
[2119085-1](#) [2119371-1](#) [2161362-2](#) [2161930-1](#) [2217088-2](#) [2217339-1](#) [2217347-1](#) [22281-9](#) [22374-7](#) [240825-4](#) [992342-2](#) [2030790-2](#) [2063796-1](#) [2063799-2](#) [2119092-1](#)