

Bell suction cup (round)

FSG 4 SI-55 M5-AG

Part no.:10.01.06.02966

<https://www.schmalz.com/10.01.06.02966>

Homepage > Vacuum Technology for Automation > Vacuum Components > Vacuum Suction Cups > Bellows Suction Cups (Round) > Bellows Suction Cups FSG (2.5 Folds) > FSG 4 SI-55 M5-AG

Bellows suction cup (round) for very uneven workpieces



Size: 4

Suction cup material: Silicone SI

Material hardness: 55 °Sh

Material characteristics:

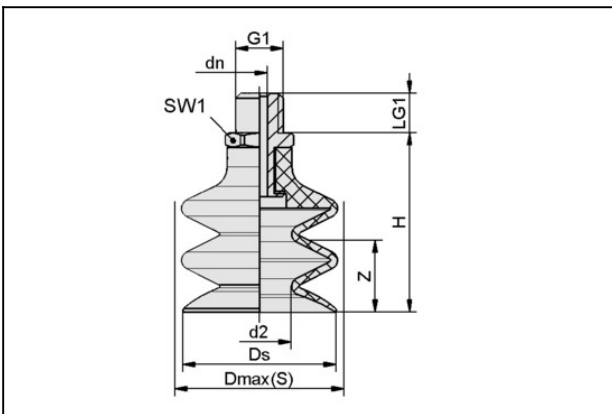
FDA-compatible

Nipple material: Aluminium

Vacuum connection: M5-M

Number of folds: 2.5

Design Data



| Attribute | Value |
|------------|--------|
| d2 | 2.4 mm |
| dn | 2 mm |
| Dmax(S) | 7 mm |
| Ds | 3.8 mm |
| G1 | M5-AG |
| H | 19 mm |
| LG1 | 5 mm |
| SW1 | 8 mm |
| Z (Stroke) | 1.5 mm |

Technical Data

Bell suction cup (round)

FSG 4 SI-55 M5-AG

Part no.:10.01.06.02966

<https://www.schmalz.com/10.01.06.02966>

| Attribute | Value |
|-----------------------------|-----------------------|
| Suction cup material | Silicone SI |
| Material hardness [Shore A] | 55 Shore A |
| Size | 4 |
| Number of folds | 2.5 |
| Connection | M5-AG |
| Curve radius (min) (convex) | 4 mm |
| Volume | 0.053 cm ³ |
| Suction force (-600mbar) | 0.27 N |
| Pull-off force | 0.6 N |
| Hose diameter (empf.) d | 2 mm |
| Weight | 1.5 g |
| Product family | FSG |

Note: Suction force: The specified suction forces are theoretical values at a vacuum of -0.6 bar and with a smooth, dry workpiece surface - they do not include a safety factor Pull-off force: The pull-off force of the versions made of natural rubber is reduced by about 40% Hose diameter: The recommended hose diameter refers to a hose length of approx. 2 m

Spare Parts



SA-NIP N017 M5-AG DN200

Part no.10.01.06.00314

Suction cup connection nipple

Nipple: N 017

Thread G1: M5-M

Overall length: 17 mm

Fitting length: 5 mm

Nominal size: 2.00 mm

Material: Aluminium

Bell suction cup (round)

FSG 4 SI-55 M5-AG

Part no.:10.01.06.02966

<https://www.schmalz.com/10.01.06.02966>



FG 4 SI-55 N017

Part no.10.01.06.02963

Bellows suction cup (round) for very uneven workpieces

Size: 4

Suction cup material: Silicone SI

Material hardness: 55 °Sh

Material characteristics:

FDA-compatible

Number of folds: 2.5

X-ON Electronics

Largest Supplier of Electrical and Electronic Components

Click to view similar products for [Bench Top Tools](#) category:

Click to view products by [SCHMALZ](#) manufacturer:

Other Similar products are found below :

[0027](#) [6104-201-2102](#) [6104-201-2502](#) [6-1372442-6](#) [62500-1584](#) [63801-7252](#) [63801-7269](#) [69002-5525](#) [691667-1](#) [768539-1](#) [854130-1](#)
[854946-2](#) [856203-1](#) [904449-1](#) [9-22280-9](#) [986096-2](#) [992438-3](#) [1-21000-3](#) [1-21000-4](#) [1-21000-1](#) [1-25022-4](#) [1302263353](#) [1424264-1](#)
[1424267-1](#) [1428211-1](#) [1-455755-6](#) [1752324-1](#) [1752744-1](#) [18023-9](#) [189763-1](#) [1901726-1](#) [1954222-1](#) [2079747-1](#) [21001-2](#) [2119083-1](#)
[2119085-1](#) [2119371-1](#) [2161362-2](#) [2161930-1](#) [2217088-2](#) [2217339-1](#) [2217347-1](#) [22281-9](#) [22374-7](#) [240825-4](#) [992342-2](#) [2030790-2](#) [2063796-1](#) [2063799-2](#) [2119092-1](#)