

## Bell suction cup (round)

### FSG 52 NBR-55 G1/4-AG

Part no.:10.01.06.00582

<https://www.schmalz.com/10.01.06.00582>

Homepage > Vacuum Technology for Automation > Vacuum Components > Vacuum Suction Cups > Bellows Suction Cups (Round) > Bellows Suction Cups FSG (2.5 Folds) > FSG 52 NBR-55 G1/4-AG

## Bellows suction cup (round) for very uneven workpieces



Size: 52

Suction cup material:

Nitrile rubber NBR

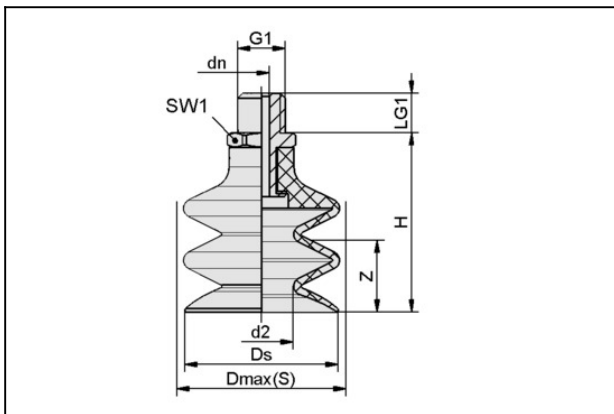
Material hardness: 55 °Sh

Nipple material: Aluminium

Vacuum connection: G1/4"-M

Number of folds: 2.5

## Design Data



Attribute	Value
d2	24.6 mm
dn	4.4 mm
Dmax(S)	55 mm
Ds	52.5 mm
G1	G1/4"-AG
H	52.7 mm
LG1	11 mm
SW1	17 mm
Z (Stroke)	25 mm

## Technical Data

## Bell suction cup (round)

### FSG 52 NBR-55 G1/4-AG

Part no.:10.01.06.00582

<https://www.schmalz.com/10.01.06.00582>

Attribute	Value
Suction cup material	Nitrile rubber NBR
Material hardness [Shore A]	55 Shore A
Size	52
Number of folds	2.5
Connection	G1/4-AG
Curve radius (min) (convex)	75 mm
Volume	37.587 cm <sup>3</sup>
Suction force (-600mbar)	28.52 N
Pull-off force	96 N
Hose diameter (empf.) d	6 mm
Weight	32 g
Product family	FSG

Note: Suction force: The specified suction forces are theoretical values at a vacuum of -0.6 bar and with a smooth, dry workpiece surface - they do not include a safety factor Pull-off force: The pull-off force of the versions made of natural rubber is reduced by about 40% Hose diameter: The recommended hose diameter refers to a hose length of approx. 2 m

## Spare Parts



### SA-NIP N018 G1/4-AG DN440

Part no.10.01.06.01065

Suction cup connection nipple

Nipple: N 018

Thread G1: G1/4"-M

Overall length: 28.8 mm

Fitting length: 4 mm

Nominal size: 4,40 mm

Material: Aluminium

Spanner size SW2: 5 mm

## Bell suction cup (round)

FSG 52 NBR-55 G1/4-AG

Part no.:10.01.06.00582

<https://www.schmalz.com/10.01.06.00582>



### FG 52 NBR-55 N018

Part no.10.01.06.00583

Bellows suction cup (round) for very uneven workpieces

Size: 52

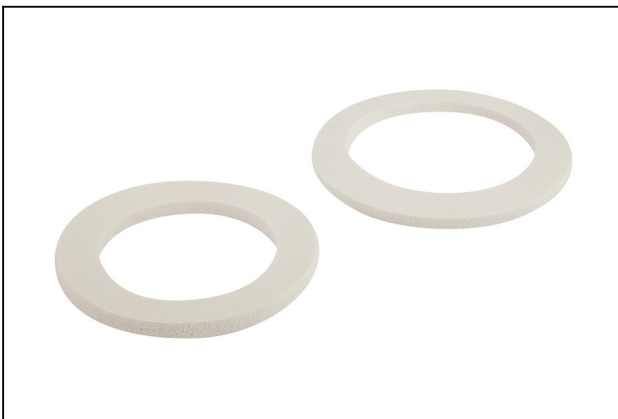
Suction cup material:

Nitrile rubber NBR

Material hardness: 55 °Sh

Number of folds: 2.5

## Accessories



### DR 52/33x5 MOS SI-15

Part no.10.01.06.02548

Gasket made from special foam for optimal sealing of structured surfaces

External diameter D: 52 mm

Internal diameter d: 33 mm

Height H: 5 mm

Material-Type: Foam rubber

Sealing material: Silicone SI

Material hardness: 15 °Sh



### FD 44 120

Part no.10.01.06.02573

Filter disc

External diameter D: 44 mm

Filter pore size: 120 µm

for: Bellows suction cup

Size: FG 52

## Bell suction cup (round)

FSG 52 NBR-55 G1/4-AG

Part no.:10.01.06.00582

<https://www.schmalz.com/10.01.06.00582>



### SU 50

Part no.10.01.01.12837

Cover for suction cup

Size: 50

Clamping range: 45.0 ... 60.0 mm

Temperature resistance: 80 °C

## X-ON Electronics

Largest Supplier of Electrical and Electronic Components

*Click to view similar products for [Bench Top Tools](#) category:*

*Click to view products by [SCHMALZ](#) manufacturer:*

Other Similar products are found below :

[0027](#) [6104-201-2102](#) [6104-201-2502](#) [6-1372442-6](#) [62500-1584](#) [63801-7252](#) [63801-7269](#) [69002-5525](#) [691667-1](#) [768539-1](#) [854130-1](#)  
[854946-2](#) [856203-1](#) [904449-1](#) [9-22280-9](#) [986096-2](#) [992438-3](#) [1-21000-3](#) [1-21000-4](#) [1-21000-1](#) [1-25022-4](#) [1302263353](#) [1424264-1](#)  
[1424267-1](#) [1428211-1](#) [1-455755-6](#) [1752324-1](#) [1752744-1](#) [18023-9](#) [189763-1](#) [1901726-1](#) [1954222-1](#) [2079747-1](#) [21001-2](#) [2119083-1](#)  
[2119085-1](#) [2119371-1](#) [2161362-2](#) [2161930-1](#) [2217088-2](#) [2217339-1](#) [2217347-1](#) [22281-9](#) [22374-7](#) [240825-4](#) [992342-2](#) [2030790-2](#) [2063796-1](#) [2063799-2](#) [2119092-1](#)