

## Bell suction cup (round)

FSGA 33 NBR-55 G1/4-AG

Part no.:10.01.06.00081

<https://www.schmalz.com/10.01.06.00081>

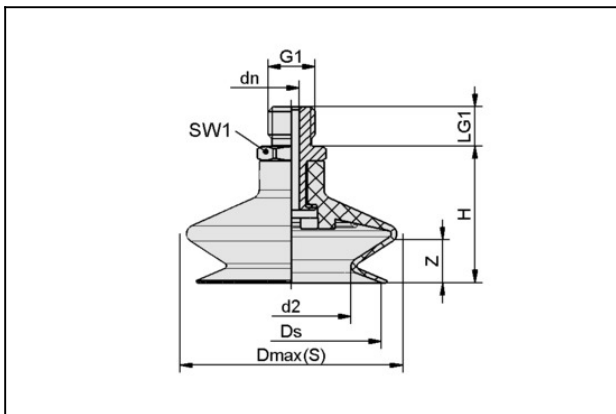
Homepage > Vacuum Technology for Automation > Vacuum Components > Vacuum Suction Cups > Bellows Suction Cups (Round) > Bellows Suction Cups FSGA (1.5 Folds) > FSGA 33 NBR-55 G1/4-AG

### Bellows suction cup (round) with optimal adaptation to uneven surfaces



Size: 33  
 Number of folds: 1.5  
 Suction cup material:  
 Nitrile rubber NBR  
 Material hardness: 55 °Sh  
 Nipple material: Aluminium  
 Vacuum connection: G1/4"-M

#### Design Data



Attribute	Value
d2	17 mm
Dmax(S)	38 mm
dn	4.4 mm
Ds	30 mm
G1	G1/4"-AG
H	31 mm
LG1	11 mm
SW1	17 mm
Z (Stroke)	9 mm

#### Technical Data

## Bell suction cup (round)

FSGA 33 NBR-55 G1/4-AG

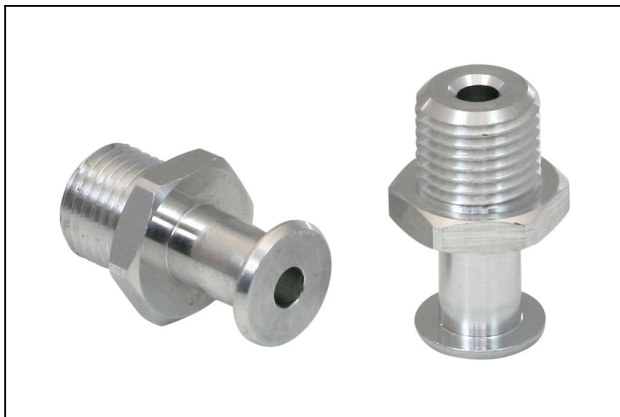
Part no.:10.01.06.00081

<https://www.schmalz.com/10.01.06.00081>

Attribute	Value
Suction cup material	Nitrile rubber NBR
Material hardness [Shore A]	55 Shore A
Size	33
Number of folds	1.5
Connection	G1/4-AG
Curve radius (min) (convex)	40 mm
Volume	4.75 cm <sup>3</sup>
Suction force (-600mbar)	13.6 N
Pull-off force	39.6 N
Hose diameter (empf.) d	6 mm
Weight	16 g
Product family	FSGA

Note: Suction force: The specified suction forces are theoretical values at a vacuum of -0.6 bar and with a smooth, dry workpiece surface - they do not include a safety factor Pull-off force: The pull-off force of the versions made of natural rubber is reduced by about 40% Hose diameter: The recommended hose diameter refers to a hose length of approx. 2 m

### Spare Parts



#### SA-NIP N018 G1/4-AG DN440

Part no.10.01.06.01065

Suction cup connection nipple

Nipple: N 018

Thread G1: G1/4"-M

Overall length: 28.8 mm

Fitting length: 4 mm

Nominal size: 4,40 mm

Material: Aluminium

Spanner size SW2: 5 mm

## Bell suction cup (round)

FSGA 33 NBR-55 G1/4-AG

Part no.:10.01.06.00081

<https://www.schmalz.com/10.01.06.00081>



### FGA 33 NBR-55 N018

Part no.10.01.06.00130

Bellows suction cup (round) with optimal adaptation to uneven surfaces

Size: 33

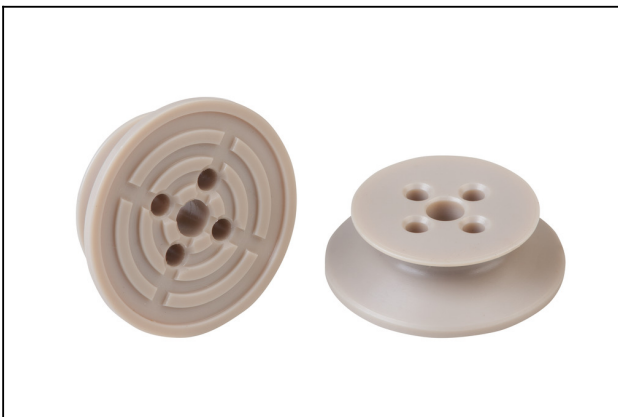
Suction cup material:

Nitrile rubber NBR

Material hardness: 55 °Sh

Number of folds: 1.5

## Accessories



### SPI 32 PEEK

Part no.10.01.06.03287

Suction cup insert for handling of sensitive workpieces without leaving marks

Size: 32

Material: Polyetheretherketon

## X-ON Electronics

Largest Supplier of Electrical and Electronic Components

*Click to view similar products for [Bench Top Tools](#) category:*

*Click to view products by [SCHMALZ](#) manufacturer:*

Other Similar products are found below :

[0027](#) [6104-201-2102](#) [6104-201-2502](#) [6-1372442-6](#) [62500-1584](#) [63801-7252](#) [63801-7269](#) [69002-5525](#) [691667-1](#) [768539-1](#) [854130-1](#)  
[854946-2](#) [856203-1](#) [904449-1](#) [9-22280-9](#) [986096-2](#) [992438-3](#) [1-21000-3](#) [1-21000-4](#) [1-21000-1](#) [1-25022-4](#) [1302263353](#) [1424264-1](#)  
[1424267-1](#) [1428211-1](#) [1-455755-6](#) [1752324-1](#) [1752744-1](#) [18023-9](#) [189763-1](#) [1901726-1](#) [1954222-1](#) [2079747-1](#) [21001-2](#) [2119083-1](#)  
[2119085-1](#) [2119371-1](#) [2161362-2](#) [2161930-1](#) [2217088-2](#) [2217339-1](#) [2217347-1](#) [22281-9](#) [22374-7](#) [240825-4](#) [992342-2](#) [2030790-2](#) [2063796-1](#) [2063799-2](#) [2119092-1](#)