

Bell suction cup (round)

FSGA 53 HT1-60 G1/4-IG

Part no.:10.01.06.00977

<https://www.schmalz.com/10.01.06.00977>

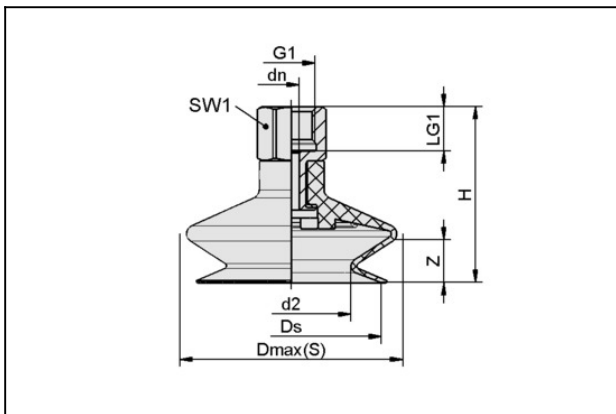
Homepage > Vacuum Technology for Automation > Vacuum Components > Vacuum Suction Cups > Bellows Suction Cups (Round) > Bellows Suction Cups FSGA (1.5 Folds) > FSGA 53 HT1-60 G1/4-IG

Bellows suction cup (round) with optimal adaptation to uneven surfaces



Size: 53
 Number of folds: 1.5
 Suction cup material:
 High temp material HT1
 Material hardness: 60 °Sh
 Material property: imprint-free
 Nipple material: Aluminium
 Vacuum connection: G1/4"-F

Design Data



| Attribute | Value |
|------------|----------|
| d2 | 33 mm |
| Dmax(S) | 60 mm |
| dn | 4.4 mm |
| Ds | 50 mm |
| G1 | G1/4"-IG |
| H | 49 mm |
| LG1 | 12 mm |
| SW1 | 17 mm |
| Z (Stroke) | 12 mm |

Technical Data

Bell suction cup (round)

FSGA 53 HT1-60 G1/4-IG

Part no.:10.01.06.00977

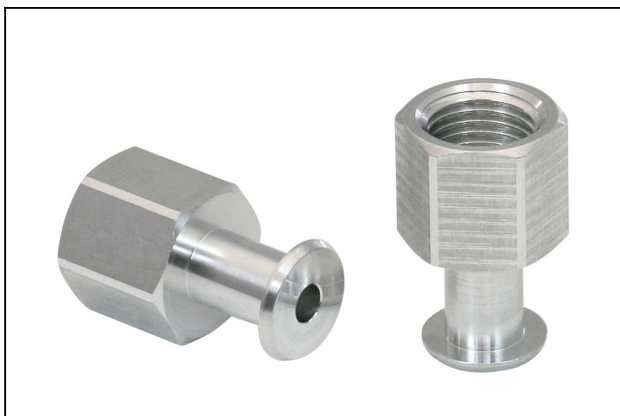
<https://www.schmalz.com/10.01.06.00977>



| Attribute | Value |
|-----------------------------|------------------------|
| Suction cup material | High temp material HT1 |
| Material hardness [Shore A] | 60 Shore A |
| Size | 53 |
| Number of folds | 1.5 |
| Connection | G1/4-IG |
| Curve radius (min) (convex) | 100 mm |
| Volume | 26.488 cm ³ |
| Suction force (-600mbar) | 51.3 N |
| Pull-off force | 95 N |
| Hose diameter (empf.) d | 6 mm |
| Weight | 27 g |
| Product family | FSGA |

Note: Suction force: The specified suction forces are theoretical values at a vacuum of -0.6 bar and with a smooth, dry workpiece surface - they do not include a safety factor Pull-off force: The pull-off force of the versions made of natural rubber is reduced by about 40% Hose diameter: The recommended hose diameter refers to a hose length of approx. 2 m

Spare Parts



SA-NIP N018 G1/4-IG DN440

Part no.10.01.06.01066

Suction cup connection nipple

Nipple: N 018

Thread G1: G1/4"-F

Overall length: 28.8 mm

Fitting length: 15 mm

Nominal size: 4,40 mm

Material: Aluminium

Spanner size SW2: 5 mm

Bell suction cup (round)

FSGA 53 HT1-60 G1/4-IG

Part no.:10.01.06.00977

<https://www.schmalz.com/10.01.06.00977>



FGA 53 HT1-60 N018

Part no.10.01.06.00875

Bellows suction cup (round) with optimal adaptation to uneven surfaces

Size: 53

Suction cup material:

High temp material HT1

Material hardness: 60 °Sh

Number of folds: 1.5

Material property: imprint-free

X-ON Electronics

Largest Supplier of Electrical and Electronic Components

Click to view similar products for [Bench Top Tools](#) category:

Click to view products by [SCHMALZ](#) manufacturer:

Other Similar products are found below :

[0027](#) [6104-201-2102](#) [6104-201-2502](#) [6-1372442-6](#) [62500-1584](#) [63801-7252](#) [63801-7269](#) [69002-5525](#) [691667-1](#) [768539-1](#) [854130-1](#)
[854946-2](#) [856203-1](#) [904449-1](#) [9-22280-9](#) [986096-2](#) [992438-3](#) [1-21000-3](#) [1-21000-4](#) [1-21000-1](#) [1-25022-4](#) [1302263353](#) [1424264-1](#)
[1424267-1](#) [1428211-1](#) [1-455755-6](#) [1752324-1](#) [1752744-1](#) [18023-9](#) [189763-1](#) [1901726-1](#) [1954222-1](#) [2079747-1](#) [21001-2](#) [2119083-1](#)
[2119085-1](#) [2119371-1](#) [2161362-2](#) [2161930-1](#) [2217088-2](#) [2217339-1](#) [2217347-1](#) [22281-9](#) [22374-7](#) [240825-4](#) [992342-2](#) [2030790-2](#) [2063796-1](#) [2063799-2](#) [2119092-1](#)