

Bell suction cup (round)

FSGA 6 NBR-55 M5-AG

Part no.:10.01.06.02994

<https://www.schmalz.com/10.01.06.02994>

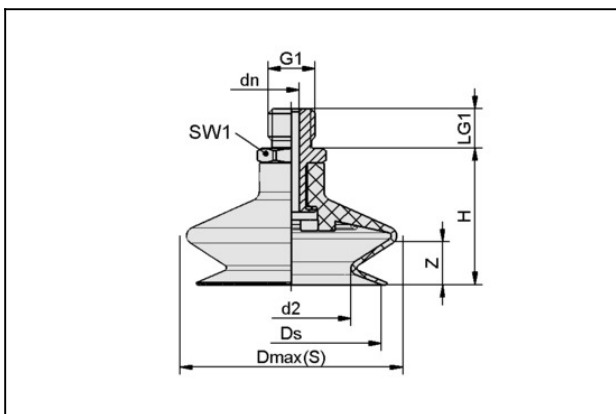
Homepage > Vacuum Technology for Automation > Vacuum Components > Vacuum Suction Cups > Bellows Suction Cups (Round) > Bellows Suction Cups FSGA (1.5 Folds) > FSGA 6 NBR-55 M5-AG

Bellows suction cup (round) with optimal adaptation to uneven surfaces



Size: 6
 Number of folds: 1.5
 Suction cup material:
 Nitrile rubber NBR
 Material hardness: 55 °Sh
 Nipple material: Aluminium
 Vacuum connection: M5-M

Design Data



Attribute	Value
d2	3 mm
Dmax(S)	8 mm
dn	2 mm
Ds	5.7 mm
G1	M5-AG
H	14 mm
LG1	4.5 mm
SW1	8 mm
Z (Stroke)	2 mm

Technical Data

Bell suction cup (round)

FSGA 6 NBR-55 M5-AG

Part no.:10.01.06.02994

<https://www.schmalz.com/10.01.06.02994>



Attribute	Value
Suction cup material	Nitrile rubber NBR
Material hardness [Shore A]	55 Shore A
Size	6
Number of folds	1.5
Connection	M5-AG
Curve radius (min) (convex)	4 mm
Volume	0.111 cm ³
Suction force (-600mbar)	0.4 N
Pull-off force	1.4 N
Hose diameter (empf.) d	4 mm
Weight	1.5 g
Product family	FSGA

Note: Suction force: The specified suction forces are theoretical values at a vacuum of -0.6 bar and with a smooth, dry workpiece surface - they do not include a safety factor Pull-off force: The pull-off force of the versions made of natural rubber is reduced by about 40% Hose diameter: The recommended hose diameter refers to a hose length of approx. 2 m

Spare Parts



SA-NIP N004 M5-AG DN200

Part no.10.01.01.03526

Suction cup connection nipple

Nipple: N 004

Thread G1: M5-M

Overall length: 13.5 mm

Fitting length: 5 mm

Nominal size: 2.00 mm

Material: Aluminium

Bell suction cup (round)

FSGA 6 NBR-55 M5-AG

Part no.:10.01.06.02994

<https://www.schmalz.com/10.01.06.02994>



FGA 6 NBR-55 N004

Part no.10.01.06.02981

Bellows suction cup (round) with optimal adaptation to uneven surfaces

Size: 6

Suction cup material:

Nitrile rubber NBR

Material hardness: 55 °Sh

Number of folds: 1.5

X-ON Electronics

Largest Supplier of Electrical and Electronic Components

Click to view similar products for [Bench Top Tools](#) category:

Click to view products by [SCHMALZ](#) manufacturer:

Other Similar products are found below :

[0027](#) [6104-201-2102](#) [6104-201-2502](#) [6-1372442-6](#) [62500-1584](#) [63801-7252](#) [63801-7269](#) [69002-5525](#) [691667-1](#) [768539-1](#) [854130-1](#)
[854946-2](#) [856203-1](#) [904449-1](#) [9-22280-9](#) [986096-2](#) [992438-3](#) [1-21000-3](#) [1-21000-4](#) [1-21000-1](#) [1-25022-4](#) [1302263353](#) [1424264-1](#)
[1424267-1](#) [1428211-1](#) [1-455755-6](#) [1752324-1](#) [1752744-1](#) [18023-9](#) [189763-1](#) [1901726-1](#) [1954222-1](#) [2079747-1](#) [21001-2](#) [2119083-1](#)
[2119085-1](#) [2119371-1](#) [2161362-2](#) [2161930-1](#) [2217088-2](#) [2217339-1](#) [2217347-1](#) [22281-9](#) [22374-7](#) [240825-4](#) [992342-2](#) [2030790-2](#) [2063796-1](#) [2063799-2](#) [2119092-1](#)