

Spring plunger

FSTE G1/8-AG 50 VG

Part no.:10.01.02.00606

<https://www.schmalz.com/10.01.02.00606>

Homepage > Vacuum Technology for Automation > Vacuum Components > Mounting Elements > Spring plunger > Spring Plungers FSTE > FSTE G1/8-AG 50 VG

Spring plunger with damping and height compensation



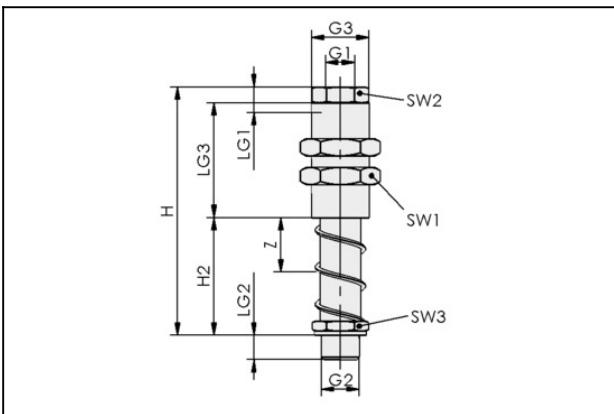
Suction cup connection: G1/8"-M

Vacuum connection: G1/8"-F

Spring stroke Z: 50 mm

Shape: With rotation lock

Design Data



Attribute	Value
G1	G1/8"-IG
G2	G1/8"-M
G3	M16x1-M
H	117.5 mm
H2	72.5 mm
LG1	8 mm
LG2	6.5 mm
LG3	30 mm
SW1	22 mm
SW2	12 mm
SW3	14 mm
Z (Stroke)	50 mm

Spring plunger

FSTE G1/8-AG 50 VG

Part no.:10.01.02.00606

<https://www.schmalz.com/10.01.02.00606>

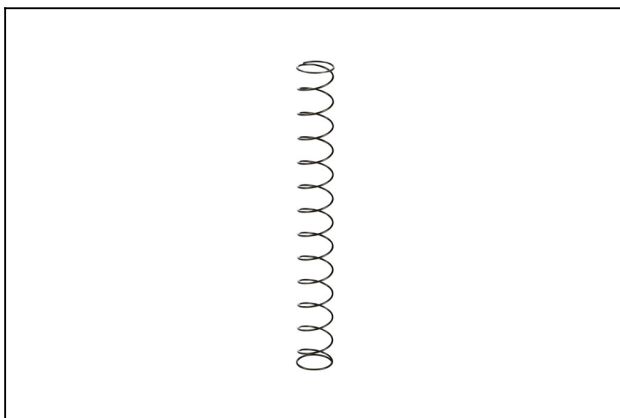


Technical Data

Attribute	Value
Spring rate	0.097 N/mm
Spring pretension	2.92 N
Spring force, center	5.34 N
Vertical load	3,700 N
Horizontal load	173 N
Weight	110 g
Operating temperature	0 ... 80 °C

Note: Spring force: Referred to 50% of operating stroke Static loading: Maximum static loading
Horizontal stress: The specification of the horizontal stress refers to the lower edge of the plunger with extended spring. It is a maximum static stress and it impairs the spring compression and extension in horizontal position

Spare Parts



DRUCK-FED 0.63x10.97 98 0.097

Part no.20.08.02.00060

Pressure spring

Wire size: 0.63 mm

Diameter: 10.97 mm

Length L: 98 mm

Spring rate: 0.097 N/mm

Accessories

[Contact to Schmalz](#)

Schmalz Sp.z.o.o. | Kobaltowa 4, 62-002 Złotniki, Polen | +48 22 460 49 70 | schmalz@schmalz.pl

Page 2 of 10

Spring plunger FSTE G1/8-AG 50 VG

Part no.:10.01.02.00606

<https://www.schmalz.com/10.01.02.00606>



KGL G1/8-IG G1/8-AG A2

Part no.10.01.03.00109

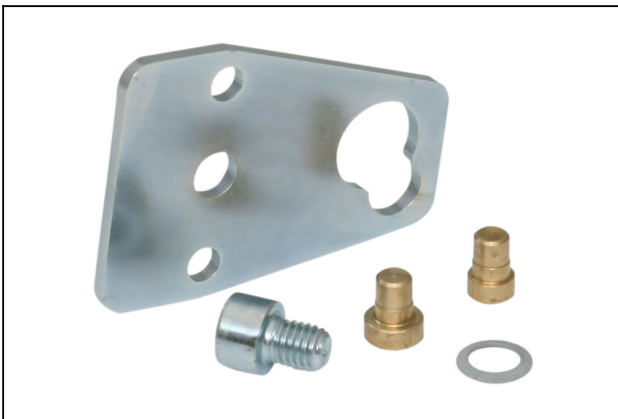
Suction cup mounting with joint for adaptation to sloping surfaces

Thread G1: G1/8"-F

Thread G2: G1/8"-M

Height H: 26.5 mm

Material: Aust. Stainless steel



HTR-STA 47 1N D10/16 FL

Part no.10.08.03.00085

Holder for flexible mounting of suction cups/spring plungers on sections

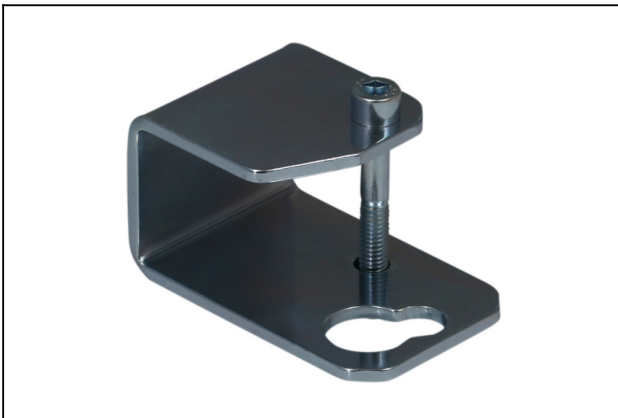
Length L: 47 mm

Cross-beam connection: Sliding block

Suction cup or spring plunger conn.:

Contour D10 and D16

Shape: flat



HTR-ST5 30x30 D10/16 WI

Part no.10.08.03.00088

Holder for flexible mounting of suction cups/spring plungers on square tubes

Cross-beam connection: 30x30

Suction cup or spring plunger conn.:

Contour D10 and D16

Shape: angled

Spring plunger FSTE G1/8-AG 50 VG

Part no.:10.01.02.00606

<https://www.schmalz.com/10.01.02.00606>



HTR-ST5 40x40 D10/16 WI

Part no.10.08.03.00089

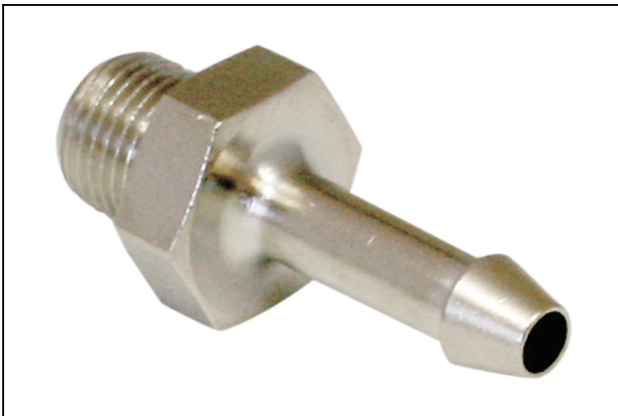
Holder for flexible mounting of suction cups/spring plungers on square tubes

Cross-beam connection: 40x40

Suction cup or spring plunger conn.:

Contour D10 and D16

Shape: angled



ST G1/8-AG 4 MS-V

Part no.10.08.03.00153

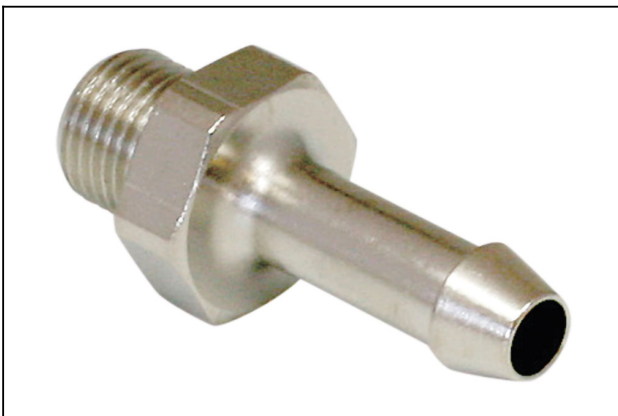
Hose sleeve

Thread G1: G1/8"-M

Internal hose diameter: 4 mm

Material: Brass

Surface: nickel plated



ST G1/8-AG 6 MS-V

Part no.10.08.03.00154

Hose sleeve

Thread G1: G1/8"-M

Internal hose diameter: 6 mm

Material: Brass

Surface: nickel plated

Spring plunger FSTE G1/8-AG 50 VG

Part no.:10.01.02.00606

<https://www.schmalz.com/10.01.02.00606>



ST G1/8-AG 9 MS-V

Part no.10.08.03.00155

Hose sleeve

Thread G1: G1/8"-M

Internal hose diameter: 9 mm

Material: Brass

Surface: nickel plated



STV-GE G1/8-AG 4

Part no.10.08.02.00202

Push-in Fitting, straight

Thread G1: G1/8"-M

External hose diameter: 4 mm

Material: Brass

Surface: nickel plated

Ambient temperature: -20 ... 80 °C



STV-GE G1/8-AG 6

Part no.10.08.02.00204

Push-in Fitting, straight

Thread G1: G1/8"-M

External hose diameter: 6 mm

Material: Brass

Surface: nickel plated

Ambient temperature: -20 ... 80 °C

Spring plunger FSTE G1/8-AG 50 VG

Part no.:10.01.02.00606

<https://www.schmalz.com/10.01.02.00606>



STV-GE G1/8-AG 8

Part no.10.08.02.00206

Push-in Fitting, straight

Thread G1: G1/8"-M

External hose diameter: 8 mm

Material: Brass

Surface: nickel plated



STV-W G1/8-AG 4

Part no.10.08.02.00156

Push-in Fitting, swivelling elbow

Thread G1: G1/8"-M

External hose diameter: 4 mm

Material: Brass, nickel-plated

Ambient temperature: -20 ... 80 °C



STV-W G1/8-AG 6

Part no.10.08.02.00158

Push-in Fitting, swivelling elbow

Thread G1: G1/8"-M

External hose diameter: 6 mm

Material: Brass, nickel-plated

Ambient temperature: -20 ... 80 °C

Spring plunger FSTE G1/8-AG 50 VG

Part no.:10.01.02.00606

<https://www.schmalz.com/10.01.02.00606>



STV-W G1/8-AG 8

Part no.10.08.02.00160

Push-in Fitting, swivelling elbow

Thread G1: G1/8"-M

External hose diameter: 8 mm

Material: Brass, nickel-plated

Ambient temperature: -20 ... 80 °C



STV-GE G1/8-AG 6 HT

Part no.10.08.02.00389

Push-in Fitting, straight

Thread G1: G1/8"-M

External hose diameter: 6 mm

Material: Brass

Surface: nickel plated

Ambient temperature: -50 ... 200 °C

Type: HT



STV-W G1/8-AG 6

Part no.10.08.02.00288

Push-in Fitting, swivelling elbow

Thread G1: G1/8"-M

External hose diameter: 6 mm

Material: Plastic

Spring plunger FSTE G1/8-AG 50 VG

Part no.:10.01.02.00606

<https://www.schmalz.com/10.01.02.00606>



STV-W G1/8-AG 6 HT

Part no.10.08.02.00391

Push-in Fitting, swivelling elbow

Thread G1: G1/8"-M

External hose diameter: 6 mm

Material: Brass

Surface: nickel plated

Ambient temperature: -50 ... 200 °C

Type: HT



STV-WF G1/8-AG 4

Part no.10.08.02.00166

Push-in Fitting, swivelling and lockable

Thread G1: G1/8"-M

External hose diameter: 4 mm

Material: Brass, nickel-plated

Ambient temperature: -10 ... 70 °C



STV-WF G1/8-AG 6

Part no.10.08.02.00168

Push-in Fitting, swivelling and lockable

Thread G1: G1/8"-M

External hose diameter: 6 mm

Material: Brass, nickel-plated

Ambient temperature: -10 ... 70 °C

Spring plunger FSTE G1/8-AG 50 VG

Part no.:10.01.02.00606

<https://www.schmalz.com/10.01.02.00606>



STV-WF G1/8-AG 8

Part no.10.08.02.00170

Push-in Fitting, swivelling and lockable

Thread G1: G1/8"-M

External hose diameter: 8 mm

Material: Brass, nickel-plated

Ambient temperature: -10 ... 70 °C



STV-WF G1/8-AG 10

Part no.10.08.02.00257

Push-in Fitting, swivelling and lockable

Thread G1: G1/8"-M

External hose diameter: 10 mm

Material: Brass, nickel-plated

Ambient temperature: -10 ... 70 °C



STV-T G1/8-AG 4

Part no.10.09.02.00039

Push-in Fitting, T

Thread G1: G1/8"-M

External hose diameter: 4 mm

Length L: 32.5 mm

Material: Brass

Surface: nickel plated

Spring plunger

FSTE G1/8-AG 50 VG

Part no.:10.01.02.00606

<https://www.schmalz.com/10.01.02.00606>



STV-T G1/8-AG 6

Part no.10.09.02.00040

Push-in Fitting, T

Thread G1: G1/8"-M

External hose diameter: 6 mm

Length L: 41.5 mm

Material: Brass

Surface: nickel plated



STV-T G1/8-AG 8

Part no.10.09.02.00041

Push-in Fitting, T

Thread G1: G1/8"-M

External hose diameter: 8 mm

Length L: 48.7 mm

Material: Brass

Surface: nickel plated

X-ON Electronics

Largest Supplier of Electrical and Electronic Components

Click to view similar products for [Bench Top Tools](#) category:

Click to view products by [SCHMALZ](#) manufacturer:

Other Similar products are found below :

[0027](#) [6104-201-2102](#) [6104-201-2502](#) [6-1372442-6](#) [62500-1584](#) [63801-7252](#) [63801-7269](#) [69002-5525](#) [691667-1](#) [768539-1](#) [854130-1](#)
[854946-2](#) [856203-1](#) [904449-1](#) [9-22280-9](#) [986096-2](#) [992438-3](#) [1-21000-3](#) [1-21000-4](#) [1-21000-1](#) [1-25022-4](#) [1302263353](#) [1424264-1](#)
[1424267-1](#) [1428211-1](#) [1-455755-6](#) [1752324-1](#) [1752744-1](#) [18023-9](#) [189763-1](#) [1901726-1](#) [1954222-1](#) [2079747-1](#) [21001-2](#) [2119083-1](#)
[2119085-1](#) [2119371-1](#) [2161362-2](#) [2161930-1](#) [2217088-2](#) [2217339-1](#) [2217347-1](#) [22281-9](#) [22374-7](#) [240825-4](#) [992342-2](#) [2030790-2](#) [2063796-1](#) [2063799-2](#) [2119092-1](#)