

Spring plunger

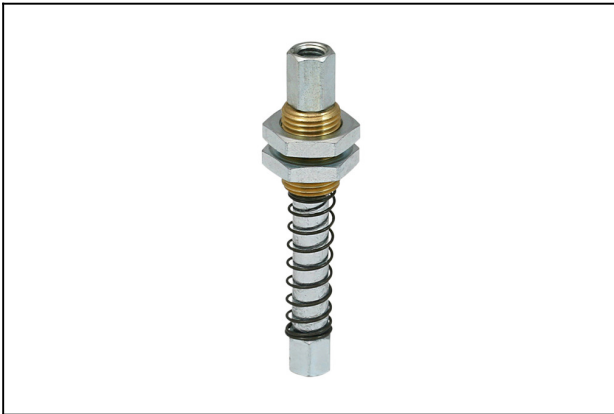
FSTE M5-IG 20

Part no.:10.01.02.00609

<https://www.schmalz.com/10.01.02.00609>

Homepage > Vacuum Technology for Automation > Vacuum Components > Mounting Elements > Spring plunger > Spring Plungers FSTE > FSTE M5-IG 20

Spring plunger with damping and height compensation

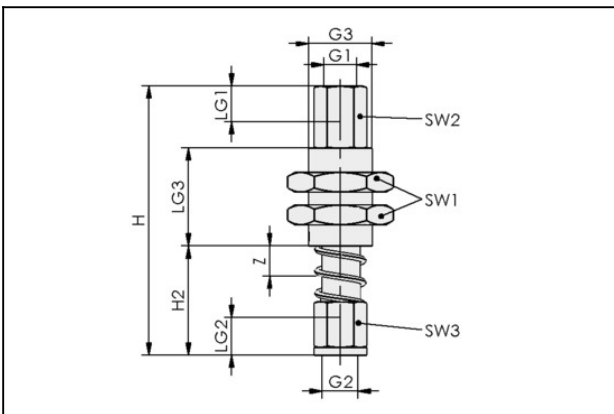


Suction cup connection: M5-F

Vacuum connection: M5-F

Spring stroke Z: 20 mm

Design Data



Attribute	Value
G1	M5-IG
G2	M5-F
G3	G1/8"-M
H	59.2 mm
H2	35 mm
LG1	5.5 mm
LG2	6.2 mm
LG3	15 mm
SW1	14 mm
SW2	7 mm
SW3	7 mm
Z (Stroke)	20 mm

Spring plunger

FSTE M5-IG 20

Part no.:10.01.02.00609

<https://www.schmalz.com/10.01.02.00609>

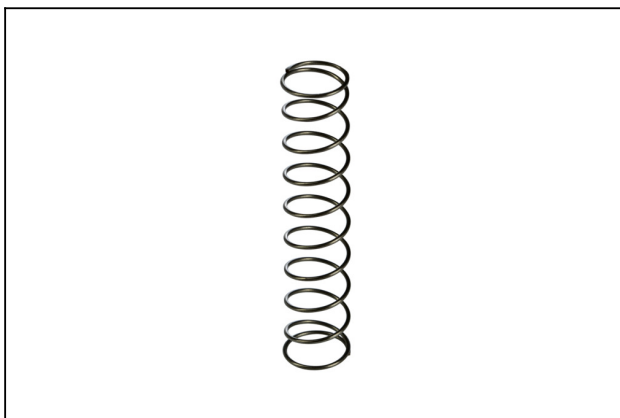


Technical Data

Attribute	Value
Spring rate	0.209 N/mm
Spring pretension	1.78 N
Spring force, center	3.87 N
Vertical load	1,500 N
Horizontal load	63 N
Weight	25 g
Operating temperature	0 ... 80 °C

Note: Spring force: Referred to 50% of operating stroke Static loading: Maximum static loading
Horizontal stress: The specification of the horizontal stress refers to the lower edge of the plunger with extended spring. It is a maximum static stress and it impairs the spring compression and extension in horizontal position

Spare Parts



DRUCK-FED 0.5x7.1 35 0.209

Part no.20.08.02.00054

Pressure spring

Wire size: 0.5 mm

Diameter: 7.1 mm

Length L: 35 mm

Spring rate: 0.209 N/mm

Accessories

Spring plunger

FSTE M5-IG 20

Part no.:10.01.02.00609

<https://www.schmalz.com/10.01.02.00609>



HTR-STA 47 1N D10/16 FL

Part no.10.08.03.00085

Holder for flexible mounting of suction cups/spring plungers on sections

Length L: 47 mm

Cross-beam connection: Sliding block

Suction cup or spring plunger conn.:

Contour D10 and D16

Shape: flat



HTR-STS 30x30 D10/16 WI

Part no.10.08.03.00088

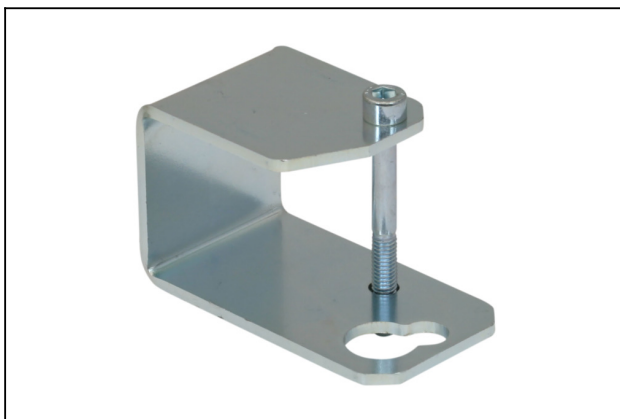
Holder for flexible mounting of suction cups/spring plungers on square tubes

Cross-beam connection: 30x30

Suction cup or spring plunger conn.:

Contour D10 and D16

Shape: angled



HTR-STS 40x40 D10/16 WI

Part no.10.08.03.00089

Holder for flexible mounting of suction cups/spring plungers on square tubes

Cross-beam connection: 40x40

Suction cup or spring plunger conn.:

Contour D10 and D16

Shape: angled

Spring plunger

FSTE M5-IG 20

Part no.:10.01.02.00609

<https://www.schmalz.com/10.01.02.00609>



ST M5-AG 4 MS-V

Part no.10.08.03.00152

Hose sleeve

Thread G1: M5-M

Internal hose diameter: 4 mm

Material: Brass

Surface: nickel plated



STV-GE M5-AG 4

Part no.10.08.02.00200

Push-in Fitting, straight

Thread G1: M5-M

External hose diameter: 4 mm

Material: Brass

Surface: nickel plated

Ambient temperature: -20 ... 80 °C



STV-GE M5-AG 6

Part no.10.08.02.00201

Push-in Fitting, straight

Thread G1: M5-M

External hose diameter: 6 mm

Material: Brass

Surface: nickel plated

Ambient temperature: -20 ... 80 °C

Spring plunger

FSTE M5-IG 20

Part no.:10.01.02.00609

<https://www.schmalz.com/10.01.02.00609>



STV-GE M5-AG 6 HT

Part no.10.08.02.00396

Push-in Fitting, straight

Thread G1: M5-M

External hose diameter: 6 mm

Material: Brass

Surface: nickel plated

Ambient temperature: -50 ... 200 °C

Type: HT



STV-T M5-AG 4

Part no.10.09.02.00038

Push-in Fitting, T

Thread G1: M5-M

External hose diameter: 4 mm

Length L: 34 mm

Material: Brass

Surface: nickel plated



STV-W M5-AG 4

Part no.10.08.02.00155

Push-in Fitting, swivelling elbow

Thread G1: M5-M

External hose diameter: 4 mm

Material: Brass, nickel-plated

Ambient temperature: -20 ... 80 °C

Spring plunger

FSTE M5-IG 20

Part no.:10.01.02.00609

<https://www.schmalz.com/10.01.02.00609>



STV-W M5-AG 6

Part no.10.08.02.00235

Push-in Fitting, swivelling elbow

Thread G1: M5-M

External hose diameter: 6 mm

Material: Brass, nickel-plated

Ambient temperature: -20 ... 80 °C



STV-W M5-AG 6

Part no.10.08.02.00296

Push-in Fitting, swivelling elbow

Thread G1: M5-M

External hose diameter: 6 mm

Material: Plastic



STV-W M5-AG 6 HT

Part no.10.08.02.00397

Push-in Fitting, swivelling elbow

Thread G1: M5-M

External hose diameter: 6 mm

Material: Brass

Surface: nickel plated

Ambient temperature: -50 ... 200 °C

Type: HT

Spring plunger

FSTE M5-IG 20

Part no.:10.01.02.00609

<https://www.schmalz.com/10.01.02.00609>



STV-WF M5-AG 4

Part no.10.08.02.00165

Push-in Fitting, swivelling and lockable

Thread G1: M5-M

External hose diameter: 4 mm

Material: Brass, nickel-plated

Ambient temperature: -10 ... 70 °C

X-ON Electronics

Largest Supplier of Electrical and Electronic Components

Click to view similar products for [Bench Top Tools](#) category:

Click to view products by [SCHMALZ](#) manufacturer:

Other Similar products are found below :

[0027](#) [6104-201-2102](#) [6104-201-2502](#) [6-1372442-6](#) [62500-1584](#) [63801-7252](#) [63801-7269](#) [69002-5525](#) [691667-1](#) [768539-1](#) [854130-1](#)
[854946-2](#) [856203-1](#) [904449-1](#) [9-22280-9](#) [986096-2](#) [992438-3](#) [1-21000-3](#) [1-21000-4](#) [1-21000-1](#) [1-25022-4](#) [1302263353](#) [1424264-1](#)
[1424267-1](#) [1428211-1](#) [1-455755-6](#) [1752324-1](#) [1752744-1](#) [18023-9](#) [189763-1](#) [1901726-1](#) [1954222-1](#) [2079747-1](#) [21001-2](#) [2119083-1](#)
[2119085-1](#) [2119371-1](#) [2161362-2](#) [2161930-1](#) [2217088-2](#) [2217339-1](#) [2217347-1](#) [22281-9](#) [22374-7](#) [240825-4](#) [992342-2](#) [2030790-2](#) [2063796-1](#) [2063799-2](#) [2119092-1](#)