

Flat suction cup (round)

PFYN 15 HT1-60 G1/8-IG

Part no.:10.01.01.11149

<https://www.schmalz.com/10.01.01.11149>

Homepage > Vacuum Technology for Automation > Vacuum Components > Vacuum Suction Cups > Flat suction cup (round) > Flat Suction

Cups PFYN > PFYN 15 HT1-60 G1/8-IG

Flat suction cup (round) for smooth or slightly rough surfaces



Size: 15

Suction cup material:

High temp material HT1

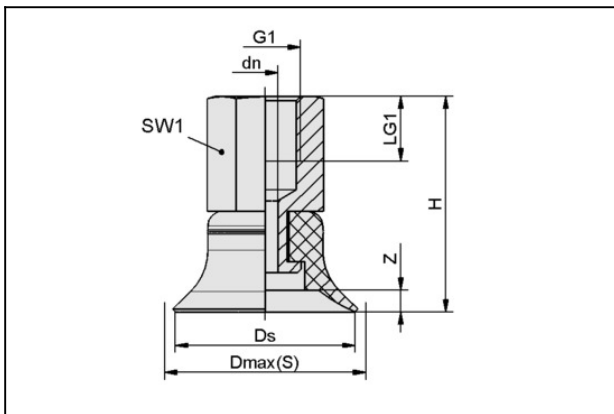
Material hardness: 60 °Sh

Material property: imprint-free

Nipple material: Aluminium

Vacuum connection: G1/8"-F

Design Data



Attribute	Value
dn	2 mm
Dmax(S)	17.5 mm
Ds	15 mm
G1	G1/8"-IG
H	24 mm
LG1	9 mm
SW1	14 mm
Z (Stroke)	1.9 mm

Technical Data

Flat suction cup (round)

PFYN 15 HT1-60 G1/8-IG

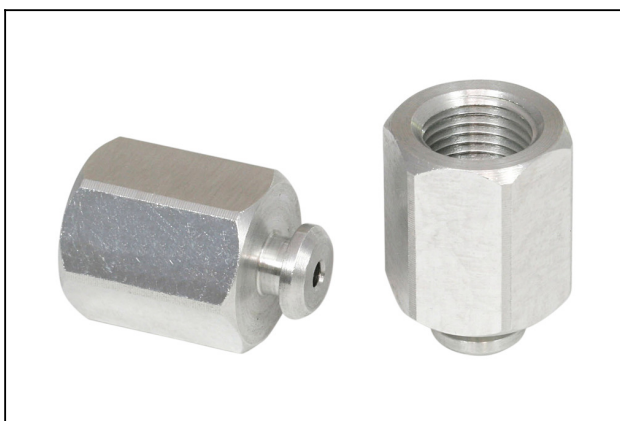
Part no.:10.01.01.11149

<https://www.schmalz.com/10.01.01.11149>

Attribute	Value
Suction force (-600mbar)	9 N
Volume	0.4 cm ³
Curve radius (min) (convex)	12.5 mm
Hose diameter (empf.) d	4 mm
Size	15
Number of folds	0
Suction cup material	High temp material HT1
Material hardness [Shore A]	60 Shore A
Weight	5.8 g
Product family	PFYN

Note: Suction force: The specified suction forces are theoretical values at a vacuum of -0.6 bar and with a smooth, dry workpiece surface - they do not include a safety factor
 Hose diameter: The recommended hose diameter refers to a hose length of approx. 2 m

Spare Parts



SA-NIP N005 G1/8-IG DN200

Part no.10.01.01.03521

Suction cup connection nipple

Nipple: N 005

Thread G1: G1/8"-F

Overall length: 20.5 mm

Fitting length: 16 mm

Nominal size: 2.00 mm

Material: Aluminium

Flat suction cup (round)

PFYN 15 HT1-60 G1/8-IG

Part no.:10.01.01.11149

<https://www.schmalz.com/10.01.01.11149>



PFG 15 HT1-60 N005

Part no.10.01.01.11162

Flat suction cup (round) for smooth or slightly rough surfaces

Size: 15

Suction cup material:

High temp material HT1

Material hardness: 60 °Sh

Material property: imprint-free

X-ON Electronics

Largest Supplier of Electrical and Electronic Components

Click to view similar products for [Bench Top Tools](#) category:

Click to view products by [SCHMALZ](#) manufacturer:

Other Similar products are found below :

[0027](#) [6104-201-2102](#) [6104-201-2502](#) [6-1372442-6](#) [62500-1584](#) [63801-7252](#) [63801-7269](#) [69002-5525](#) [691667-1](#) [768539-1](#) [854130-1](#)
[854946-2](#) [856203-1](#) [904449-1](#) [9-22280-9](#) [986096-2](#) [992438-3](#) [1-21000-3](#) [1-21000-4](#) [1-21000-1](#) [1-25022-4](#) [1302263353](#) [1424264-1](#)
[1424267-1](#) [1428211-1](#) [1-455755-6](#) [1752324-1](#) [1752744-1](#) [18023-9](#) [189763-1](#) [1901726-1](#) [1954222-1](#) [2079747-1](#) [21001-2](#) [2119083-1](#)
[2119085-1](#) [2119371-1](#) [2161362-2](#) [2161930-1](#) [2217088-2](#) [2217339-1](#) [2217347-1](#) [22281-9](#) [22374-7](#) [240825-4](#) [992342-2](#) [2030790-2](#) [2063796-1](#) [2063799-2](#) [2119092-1](#)