

Flat suction cup (round)

PFYN 35 SI-55 G1/8-IG

Part no.:10.01.01.00103

<https://www.schmalz.com/10.01.01.00103>

Homepage > Vacuum Technology for Automation > Vacuum Components > Vacuum Suction Cups > Flat suction cup (round) > Flat Suction

Cups PFYN > PFYN 35 SI-55 G1/8-IG

Flat suction cup (round) for smooth or slightly rough surfaces



Size: 35

Suction cup material: Silicone SI

Material hardness: 55 °Sh

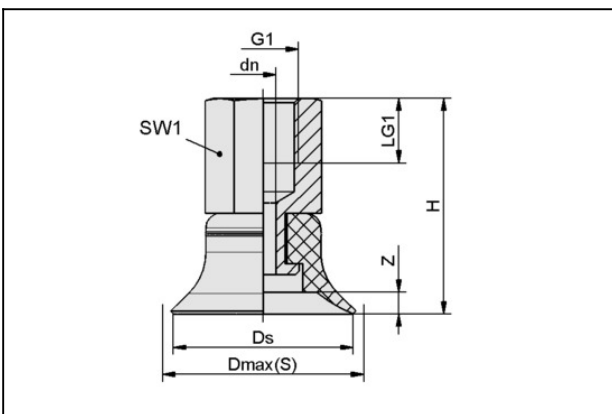
Material characteristics:

FDA-compatible

Nipple material: Aluminium

Vacuum connection: G1/8"-F

Design Data



Attribute	Value
dn	3.5 mm
Dmax(S)	38 mm
Ds	35 mm
G1	G1/8"-IG
H	30 mm
LG1	9 mm
SW1	14 mm
Z (Stroke)	3 mm

Technical Data

Flat suction cup (round)

PFYN 35 SI-55 G1/8-IG

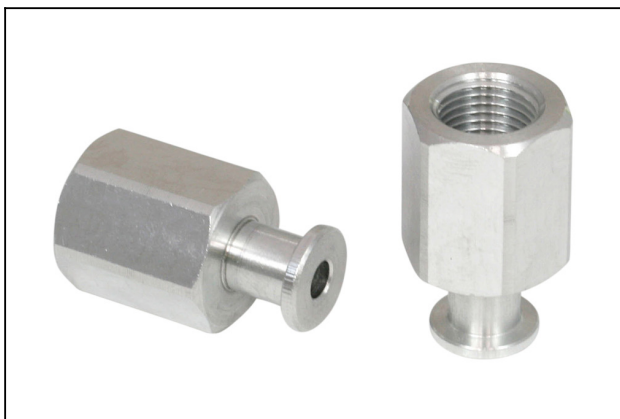
Part no.:10.01.01.00103

<https://www.schmalz.com/10.01.01.00103>

Attribute	Value
Suction force (-600mbar)	44 N
Volume	2.7 cm ³
Curve radius (min) (convex)	50 mm
Hose diameter (empf.) d	4 mm
Size	35
Number of folds	0
Suction cup material	Silicone SI
Material hardness [Shore A]	55 Shore A
Weight	11.9 g
Product family	PFYN

Note: Suction force: The specified suction forces are theoretical values at a vacuum of -0.6 bar and with a smooth, dry workpiece surface - they do not include a safety factor
 Hose diameter: The recommended hose diameter refers to a hose length of approx. 2 m

Spare Parts



SA-NIP N007 G1/8-IG DN350

Part no.10.01.01.03523

Suction cup connection nipple

Nipple: N 007

Thread G1: G1/8"-F

Overall length: 24.5 mm

Fitting length: 16 mm

Nominal size: 3,50 mm

Material: Aluminium

Spanner size SW2: 4 mm

Flat suction cup (round)

PFYN 35 SI-55 G1/8-IG

Part no.:10.01.01.00103

<https://www.schmalz.com/10.01.01.00103>



PFG 35 SI-55 N007

Part no.10.01.01.00035

Flat suction cup (round) for smooth or slightly rough surfaces

Size: 35

Suction cup material: Silicone SI

Material hardness: 55 °Sh

Material characteristics:

FDA-compatible

Accessories



SU 30

Part no.10.01.01.12889

Cover for suction cup

Size: 30

Clamping range: 27.0 ... 35.0 mm

Temperature resistance: 80 °C

X-ON Electronics

Largest Supplier of Electrical and Electronic Components

Click to view similar products for [Bench Top Tools](#) category:

Click to view products by [SCHMALZ](#) manufacturer:

Other Similar products are found below :

[0027](#) [6104-201-2102](#) [6104-201-2502](#) [6-1372442-6](#) [62500-1584](#) [63801-7252](#) [63801-7269](#) [69002-5525](#) [691667-1](#) [768539-1](#) [854130-1](#)
[854946-2](#) [856203-1](#) [904449-1](#) [9-22280-9](#) [986096-2](#) [992438-3](#) [1-21000-3](#) [1-21000-4](#) [1-21000-1](#) [1-25022-4](#) [1302263353](#) [1424264-1](#)
[1424267-1](#) [1428211-1](#) [1-455755-6](#) [1752324-1](#) [1752744-1](#) [18023-9](#) [189763-1](#) [1901726-1](#) [1954222-1](#) [2079747-1](#) [21001-2](#) [2119083-1](#)
[2119085-1](#) [2119371-1](#) [2161362-2](#) [2161930-1](#) [2217088-2](#) [2217339-1](#) [2217347-1](#) [22281-9](#) [22374-7](#) [240825-4](#) [992342-2](#) [2030790-2](#) [2063796-1](#) [2063799-2](#) [2119092-1](#)