

## Flat suction cup (round)

PFYN 60 SI-55 G1/4-IG

Part no.:10.01.01.00106

<https://www.schmalz.com/10.01.01.00106>

Homepage > Vacuum Technology for Automation > Vacuum Components > Vacuum Suction Cups > Flat suction cup (round) > Flat Suction

Cups PFYN > PFYN 60 SI-55 G1/4-IG

### Flat suction cup (round) for smooth or slightly rough surfaces



Size: 60

Suction cup material: Silicone SI

Material hardness: 55 °Sh

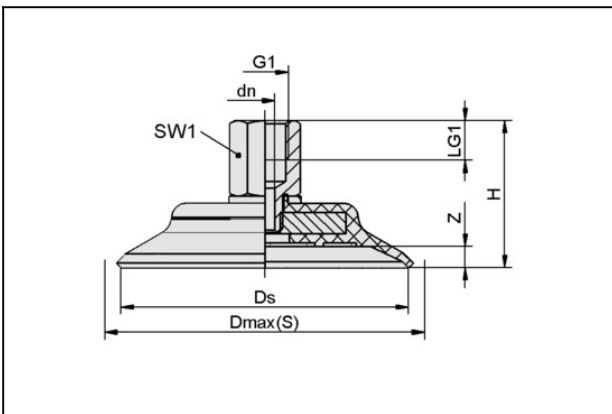
Material characteristics:

FDA-compatible

Nipple material: Aluminium

Vacuum connection: G1/4"-F

### Design Data



Attribute	Value
dn	5.5 mm
Dmax(S)	64 mm
Ds	60 mm
G1	G1/4"-IG
H	39 mm
LG1	11 mm
SW1	17 mm
Z (Stroke)	4.7 mm

### Technical Data

## Flat suction cup (round)

PFYN 60 SI-55 G1/4-IG

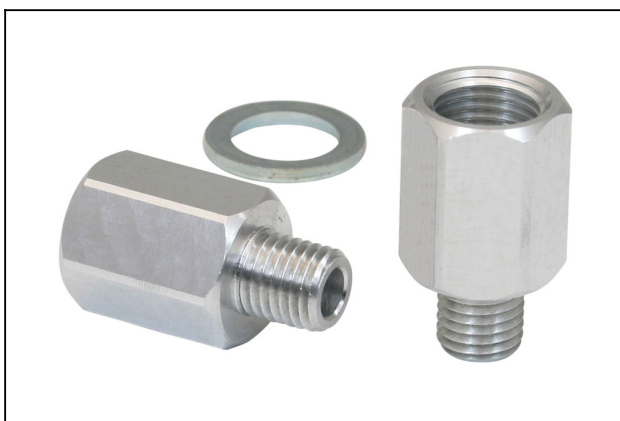
Part no.:10.01.01.00106

<https://www.schmalz.com/10.01.01.00106>

Attribute	Value
Suction force (-600mbar)	125 N
Volume	10 cm <sup>3</sup>
Curve radius (min) (convex)	100 mm
Hose diameter (empf.) d	6 mm
Size	60
Number of folds	0
Suction cup material	Silicone SI
Material hardness [Shore A]	55 Shore A
Weight	36.9 g
Product family	PFYN

Note: Suction force: The specified suction forces are theoretical values at a vacuum of -0.6 bar and with a smooth, dry workpiece surface - they do not include a safety factor  
 Hose diameter: The recommended hose diameter refers to a hose length of approx. 2 m

### Spare Parts



#### SA-NIP N009 G1/4-IG

Part no.10.01.01.10096

Suction cup connection nipple pre-assembly

Nipple: N 009

Thread G1: G1/4"-F

Length L: 23 mm

for: Flat suction pad PFG

## Flat suction cup (round)

PFYN 60 SI-55 G1/4-IG

Part no.:10.01.01.00106

<https://www.schmalz.com/10.01.01.00106>



### **PFG 60 SI-55 N009 M10x1.25-IG**

Part no.10.01.01.00038

Flat suction cup (round) for smooth or slightly rough surfaces

Size: 60

Suction cup material: Silicone SI

Material hardness: 55 °Sh

Material characteristics:

FDA-compatible

Connection thread: M10x1.25-F

## Accessories



### **SU 60**

Part no.10.01.01.13585

Cover for suction cup

Size: 60

Clamping range: 60.0 ... 70.0 mm

Temperature resistance: 80 °C

## X-ON Electronics

Largest Supplier of Electrical and Electronic Components

*Click to view similar products for [Bench Top Tools](#) category:*

*Click to view products by [SCHMALZ](#) manufacturer:*

Other Similar products are found below :

[0027](#) [6104-201-2102](#) [6104-201-2502](#) [6-1372442-6](#) [62500-1584](#) [63801-7252](#) [63801-7269](#) [69002-5525](#) [691667-1](#) [768539-1](#) [854130-1](#)  
[854946-2](#) [856203-1](#) [904449-1](#) [9-22280-9](#) [986096-2](#) [992438-3](#) [1-21000-3](#) [1-21000-4](#) [1-21000-1](#) [1-25022-4](#) [1302263353](#) [1424264-1](#)  
[1424267-1](#) [1428211-1](#) [1-455755-6](#) [1752324-1](#) [1752744-1](#) [18023-9](#) [189763-1](#) [1901726-1](#) [1954222-1](#) [2079747-1](#) [21001-2](#) [2119083-1](#)  
[2119085-1](#) [2119371-1](#) [2161362-2](#) [2161930-1](#) [2217088-2](#) [2217339-1](#) [2217347-1](#) [22281-9](#) [22374-7](#) [240825-4](#) [992342-2](#) [2030790-2](#) [2063796-1](#) [2063799-2](#) [2119092-1](#)