

## Bellows suction cup HT1 (round)

SAB 125 HT1-60 G1/4-AG

Part no.:10.01.06.03065

<https://www.schmalz.com/10.01.06.03065>

Homepage > Vacuum Technology for Automation > Vacuum Components > Vacuum Suction Cups > Suction Cups for Handling Sheet Metal >

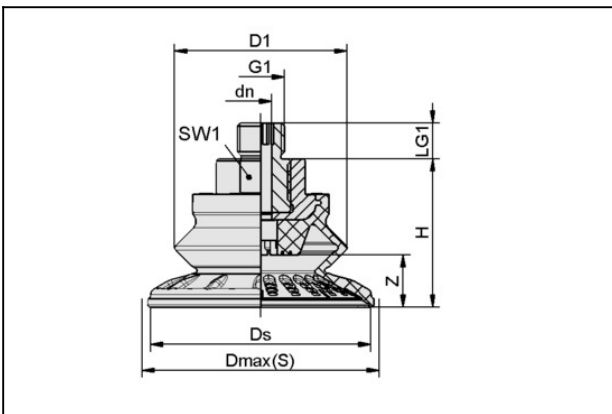
Bellows Suction Cups SAB (1.5 Folds) > SAB 125 HT1-60 G1/4-AG

### Bellows suction cup (round) for markless handling of workpieces



Size: 125  
 Suction cup material:  
 High temp material HT1  
 Material hardness: 60 °Sh  
 Vacuum connection: G1/4"-M  
 Number of folds: 1.5  
 Nipple material: Aluminium

### Design Data



Attribute	Value
dn	6 mm
D1	94 mm
Dmax(S)	135 mm
Ds	126 mm
G1	G1/4"-AG
H	67.8 mm
LG1	10 mm
SW1	22 mm
Z (Stroke)	32 mm

### Technical Data

# Bellows suction cup HT1 (round)

## SAB 125 HT1-60 G1/4-AG

Part no.:10.01.06.03065

<https://www.schmalz.com/10.01.06.03065>



Attribute	Value
Suction force (-600mbar)	250 N
Pull-off force	558 N
Lateral force	352 N
Lateral force (oily surface)	335 N
Volume	191 cm <sup>3</sup>
Curve radius (min) (convex)	140 mm
Hose diameter (empf.) d	9 mm
Size	125
Number of folds	1.5
Suction cup material	High temp material HT1
Material hardness [Shore A]	60 Shore A
Weight	179.3 g
Product family	SAB

Note: Suction force: The specified suction forces are theoretical values at a vacuum of -0.6 bar and with a smooth, dry workpiece surface - they do not include a safety factor Lateral force: The specified lateral forces are values measured at a vacuum of -0.6 bar with a dry or oily, smooth, flat workpiece surface. Depending on the workpiece surface and its quality, the actual values may deviate from these values Hose diameter: The recommended hose diameter refers to a hose length of approx. 2 m

## X-ON Electronics

Largest Supplier of Electrical and Electronic Components

*Click to view similar products for [Bench Top Tools](#) category:*

*Click to view products by [SCHMALZ](#) manufacturer:*

Other Similar products are found below :

[6-1372442-6](#) [63801-4462](#) [63801-4561](#) [63801-7269](#) [679527-1](#) [691667-1](#) [7-21000-9](#) [768539-1](#) [854130-1](#) [854946-2](#) [856203-1](#) [904449-1](#) [9-22280-9](#) [986096-2](#) [992438-3](#) [1-21000-3](#) [1-21000-1](#) [1-25022-4](#) [1302263353](#) [1302263355](#) [1302261057](#) [1302261101](#) [1302261206](#) [1302261560](#) [1302263123](#) [1302264036](#) [1424264-1](#) [1424267-1](#) [1428211-1](#) [1428287-1](#) [1-455755-6](#) [1752744-1](#) [18023-9](#) [189763-1](#) [1901726-1](#) [2079747-1](#) [21001-2](#) [2119083-1](#) [2119085-1](#) [2119371-1](#) [2161930-1](#) [2217088-2](#) [2217347-1](#) [22281-9](#) [22374-7](#) [284565-000](#) [F1 Handle Spring](#) [19228-0213](#) [2030790-2](#) [2063796-1](#)