

Bellows suction cup HT1 (round)

SAB 30 HT1-60 G1/4-AG

Part no.:10.01.06.03048

<https://www.schmalz.com/10.01.06.03048>

Homepage > Vacuum Technology for Automation > Vacuum Components > Vacuum Suction Cups > Suction Cups for Handling Sheet Metal >

Bellows Suction Cups SAB (1.5 Folds) > SAB 30 HT1-60 G1/4-AG

Bellows suction cup (round) for markless handling of workpieces



Size: 30

Suction cup material:

High temp material HT1

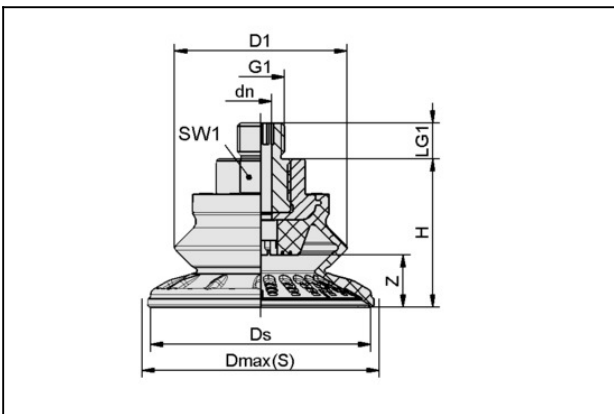
Material hardness: 60 °Sh

Vacuum connection: G1/4"-M

Number of folds: 1.5

Nipple material: Aluminium

Design Data



Attribute	Value
dn	4 mm
D1	32 mm
Dmax(S)	34 mm
Ds	30.6 mm
G1	G1/4"-AG
H	28 mm
LG1	10 mm
SW1	17 mm
Z (Stroke)	9 mm

Technical Data

Bellows suction cup HT1 (round)

SAB 30 HT1-60 G1/4-AG

Part no.:10.01.06.03048

<https://www.schmalz.com/10.01.06.03048>



Attribute	Value
Suction force (-600mbar)	22 N
Pull-off force	33 N
Lateral force	30 N
Lateral force (oily surface)	13 N
Volume	5.9 cm ³
Curve radius (min) (convex)	40 mm
Hose diameter (empf.) d	4 mm
Size	30
Number of folds	1.5
Suction cup material	High temp material HT1
Material hardness [Shore A]	60 Shore A
Weight	19.3 g
Product family	SAB

Note: Suction force: The specified suction forces are theoretical values at a vacuum of -0.6 bar and with a smooth, dry workpiece surface - they do not include a safety factor Lateral force: The specified lateral forces are values measured at a vacuum of -0.6 bar with a dry or oily, smooth, flat workpiece surface. Depending on the workpiece surface and its quality, the actual values may deviate from these values Hose diameter: The recommended hose diameter refers to a hose length of approx. 2 m

X-ON Electronics

Largest Supplier of Electrical and Electronic Components

Click to view similar products for [Bench Top Tools](#) category:

Click to view products by [SCHMALZ](#) manufacturer:

Other Similar products are found below :

[6-1372442-6](#) [63801-4462](#) [63801-4561](#) [63801-7269](#) [679527-1](#) [691667-1](#) [7-21000-9](#) [768539-1](#) [854130-1](#) [854946-2](#) [856203-1](#) [904449-1](#) [9-22280-9](#) [986096-2](#) [992438-3](#) [1-21000-3](#) [1-21000-1](#) [1-25022-4](#) [1302263353](#) [1302263355](#) [1302261057](#) [1302261101](#) [1302261206](#) [1302261560](#) [1302263123](#) [1302264036](#) [1424264-1](#) [1424267-1](#) [1428211-1](#) [1428287-1](#) [1-455755-6](#) [1752744-1](#) [18023-9](#) [189763-1](#) [1901726-1](#) [2079747-1](#) [21001-2](#) [2119083-1](#) [2119085-1](#) [2119371-1](#) [2161930-1](#) [2217088-2](#) [2217347-1](#) [22281-9](#) [22374-7](#) [284565-000](#) [F1 Handle Spring](#) [19228-0213](#) [2030790-2](#) [2063796-1](#)