

## Bell suction cup (round)

### SAX 30 ED-85 G3/8-IG

Part no.:10.01.19.00146

<https://www.schmalz.com/10.01.19.00146>

Homepage > Vacuum Technology for Automation > Vacuum Components > Vacuum Suction Cups > Suction Cups for Handling Sheet Metal >

Bell-Shaped Suction Cups SAX > SAX 30 ED-85 G3/8-IG

## Bell suction cup (round) for best adaptation to strongly curved surfaces



Size: 30

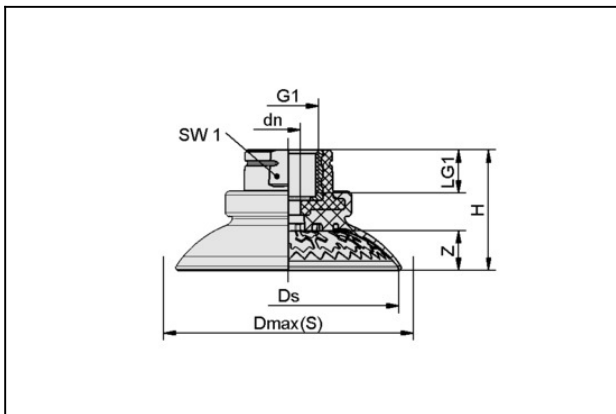
Suction cup material: Elastodur

Material hardness: 85 °Sh

Vacuum connection: G3/8"-F

Nipple material: TPU-GF

## Design Data



Attribute	Value
dn	6.75 mm
Dmax(S)	35.2 mm
Ds	31.7 mm
G1	G3/8"-IG
H	26 mm
LG1	12 mm
SW1	22 mm
Z (Stroke)	4.5 mm

## Technical Data

## Bell suction cup (round)

### SAX 30 ED-85 G3/8-IG

Part no.:10.01.19.00146

<https://www.schmalz.com/10.01.19.00146>



Attribute	Value
Suction force (-600mbar)	39 N
Lateral force	38 N
Lateral force (oily surface)	41 N
Volume	3.2 cm <sup>3</sup>
Curve radius (min) (convex)	18 mm
Size	30
Connection	G3/8"-F
Number of folds	0
Suction cup material	Elastodur
Material hardness [Shore A]	85 Shore A
Weight	24 g
Product family	SAX

---

---

## X-ON Electronics

Largest Supplier of Electrical and Electronic Components

*Click to view similar products for [Bench Top Tools](#) category:*

*Click to view products by [SCHMALZ](#) manufacturer:*

Other Similar products are found below :

[0027](#) [6104-201-2102](#) [6104-201-2502](#) [6-1372442-6](#) [62500-1584](#) [63801-7252](#) [63801-7269](#) [69002-5525](#) [691667-1](#) [768539-1](#) [854130-1](#)  
[854946-2](#) [856203-1](#) [904449-1](#) [9-22280-9](#) [986096-2](#) [992438-3](#) [1-21000-3](#) [1-21000-4](#) [1-21000-1](#) [1-25022-4](#) [1302263353](#) [1424264-1](#)  
[1424267-1](#) [1428211-1](#) [1-455755-6](#) [1752324-1](#) [1752744-1](#) [18023-9](#) [189763-1](#) [1901726-1](#) [1954222-1](#) [2079747-1](#) [21001-2](#) [2119083-1](#)  
[2119085-1](#) [2119371-1](#) [2161362-2](#) [2161930-1](#) [2217088-2](#) [2217339-1](#) [2217347-1](#) [22281-9](#) [22374-7](#) [240825-4](#) [992342-2](#) [2030790-2](#) [2063796-1](#) [2063799-2](#) [2119092-1](#)