

Basic ejector

SBP 10 G02 SDA

Part no.:10.02.01.00601

<https://www.schmalz.com/10.02.01.00601>

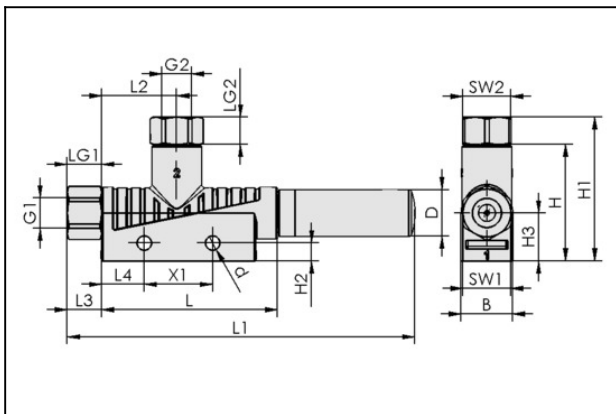
Homepage > Vacuum Technology for Automation > Vacuum Components > Vacuum Generators > Basic Ejectors > Basic Ejectors SBP > SBP 10 G02 SDA

Basic ejector for universal use



Nozzle size: 1,0 mm
 with: Axial silencer
 Degree of evacuation: 85 %
 Connection: G1/8"(1)-G1/8"(2)
 Pressure optimal: 4.5 bar
 Suction rate (max): 37.7 l/min
 Air consumption (during evac.):
 48 l/min

Design Data



Attribute	Value
B	15 mm
d	4.2 mm
D	14 mm
G1	G1/8"-IG
G2	G1/8"-F
H	34 mm
H1	42 mm
H2	5.2 mm
H3	14 mm
L	51.5 mm
L1	102 mm
L2	22 mm
L3	10 mm

Basic ejector

SBP 10 G02 SDA

Part no.:10.02.01.00601

<https://www.schmalz.com/10.02.01.00601>



Attribute	Value
L4	12.5 mm
LG1	8 mm
LG2	8 mm
SW1	14 mm
SW2	14 mm
X1	20 mm

Technical Data

Attribute	Value
Nozzle diameter	1 mm
Degree of evacuation	85 %
Suction rate (max.)	2.3 m ³ /h
Suction rate (max.)	37.7 l/min
Air consumption suction	2.9 m ³ /h
Air consumption suction	48 l/min
Sound level free	65 dB(A)
Sound level suction	59 dB(A)
Pressure range (operating pressure)	3.0 ... 6.0 bar
Pressure optimal	4.5 bar
Recomm. internal hose diameter compressed air	4 mm
Recomm. internal hose diameter vacuum	6 mm
Operating temperature	0 ... 60 °C
Pressure range (operating pressure)	43.5...87.0
Suction rate (max.)	1.331 cfm
Air consumption suction	1.695 cfm

Basic ejector

SBP 10 G02 SDA

Part no.:10.02.01.00601

<https://www.schmalz.com/10.02.01.00601>



Attribute	Value
Weight	22 g

Note: Air consumption: At optimal operating pressure Hose diameter: For max. length 2 m

Spare Parts



SD G1/8-AG 14x40

Part no.10.02.01.00540

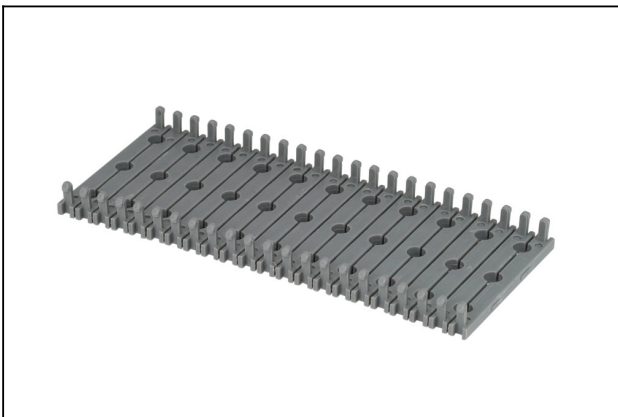
Silencer for vacuum generators

Thread G1: G1/8"-M

External diameter D: 14 mm

Length L: 40 mm

Accessories



BEF-PL 110x44.5x3 SBP

Part no.10.02.01.00511

Mounting plate

Length L: 110 mm

Width B: 44.5 mm

Height H: 3 mm

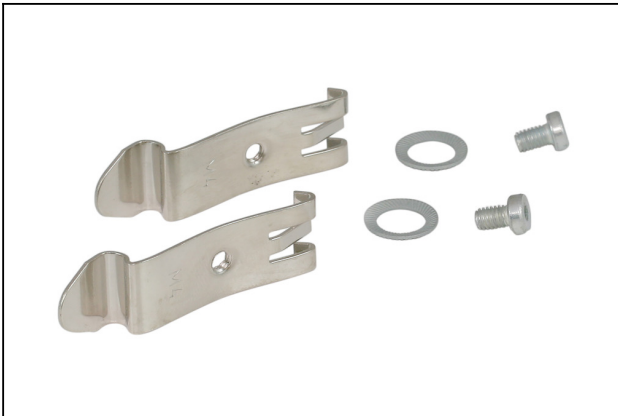
for: Basic ejectors SBP

Basic ejector

SBP 10 G02 SDA

Part no.:10.02.01.00601

<https://www.schmalz.com/10.02.01.00601>



SET SBP M4-IG

Part no.10.02.01.00769

Mounting set

for: Basic ejectors SBP

Type: M4-IG



VFI CN8/6 50

Part no.10.07.01.00245

Vacuum filter with replaceable filter cartridge

Connection: Hose 8/6 with Cap nut

Filter pore size: 50 µm



VFI 6/4 50

Part no.10.07.01.00328

Vacuum filter with replaceable filter cartridge

Connection: Hose 6/4

Filter pore size: 50 µm

Basic ejector SBP 10 G02 SDA

Part no.:10.02.01.00601

<https://www.schmalz.com/10.02.01.00601>



VFT G1/8-IG 80

Part no.10.07.01.00116

Vacuum cup filter with transparent housing and replaceable filter

Connection: G1/8"-F

Shape: Short filter insert

Nominal flow rate: 2.7 m³/h

Filter pore size: 80 µm



SEG 10 HS

Part no.10.02.01.00247

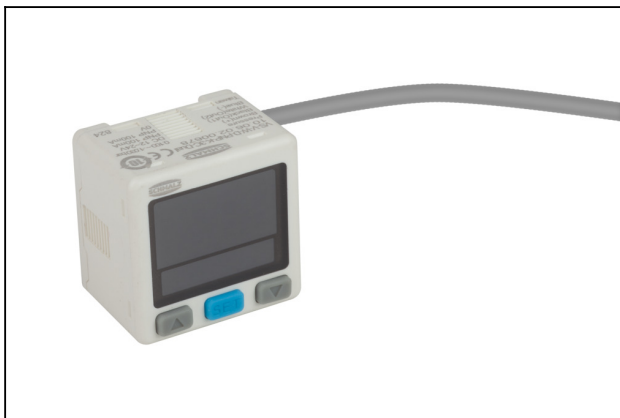
Basic ejector with robust housing for universal use

Nozzle size: 1,0 mm

Design: For high vacuum

Suction rate (max): 34 l/min

Air consumption (during evac.):
49 l/min



VS-V-W-D PNP K 3C-D

Part no.10.06.02.00678

Vacuum/pressure switch in cube shape with display and digital output signals

Measuring range: -1.0 ... 0.0 bar

Shape: Cube, digital display

Type: Switches to plus

Electrical connection: Cable

Inputs/outputs: 2 digital

Display: 3-color / 2-line

Basic ejector

SBP 10 G02 SDA

Part no.:10.02.01.00601

<https://www.schmalz.com/10.02.01.00601>



VS-P10-W-D PNP K 3C-D

Part no.10.06.02.00680

Vacuum/pressure switch in cube shape with display and digital output signals

Measuring range: 0.0 ... 10.0 bar

Shape: Cube, digital display

Type: Switches to plus

Electrical connection: Cable

Inputs/outputs: 2 digital

Display: 3-color / 2-line

X-ON Electronics

Largest Supplier of Electrical and Electronic Components

Click to view similar products for [Bench Top Tools](#) category:

Click to view products by [SCHMALZ](#) manufacturer:

Other Similar products are found below :

[0027](#) [6104-201-2102](#) [6104-201-2502](#) [6-1372442-6](#) [62500-1584](#) [63801-7252](#) [63801-7269](#) [69002-5525](#) [691667-1](#) [768539-1](#) [854130-1](#)
[854946-2](#) [856203-1](#) [904449-1](#) [9-22280-9](#) [986096-2](#) [992438-3](#) [1-21000-3](#) [1-21000-4](#) [1-21000-1](#) [1-25022-4](#) [1302263353](#) [1424264-1](#)
[1424267-1](#) [1428211-1](#) [1-455755-6](#) [1752324-1](#) [1752744-1](#) [18023-9](#) [189763-1](#) [1901726-1](#) [1954222-1](#) [2079747-1](#) [21001-2](#) [2119083-1](#)
[2119085-1](#) [2119371-1](#) [2161362-2](#) [2161930-1](#) [2217088-2](#) [2217339-1](#) [2217347-1](#) [22281-9](#) [22374-7](#) [240825-4](#) [992342-2](#) [2030790-2](#) [2063796-1](#) [2063799-2](#) [2119092-1](#)