

Basic ejector

SBP 25 G03 SDA

Part no.:10.02.01.00604

<https://www.schmalz.com/10.02.01.00604>

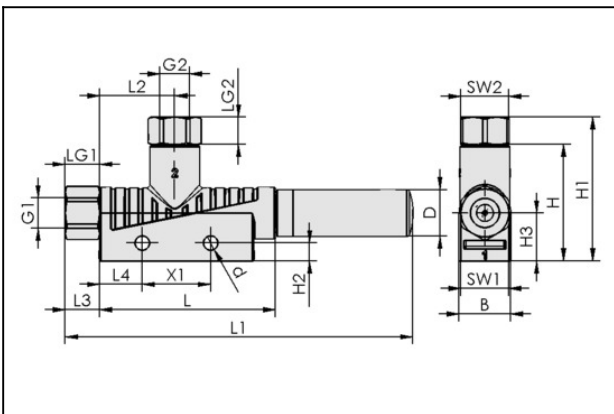
Homepage > Vacuum Technology for Automation > Vacuum Components > Vacuum Generators > Basic Ejectors > Basic Ejectors SBP > SBP 25 G03 SDA

Basic ejector for universal use



Nozzle size: 2,5 mm
 with: Axial silencer
 Degree of evacuation: 85 %
 Connection: G1/4"(1)-G3/8"(2)
 Pressure optimal: 4.5 bar
 Suction rate (max): 215 l/min
 Air consumption (during evac.):
 311 l/min

Design Data



Attribute	Value
B	20 mm
d	4.2 mm
D	20 mm
G1	G1/4"-IG
G2	G3/8"-F
H	39 mm
H1	53.5 mm
H2	5.2 mm
H3	17 mm
L	86.5 mm
L1	175.5 mm
L2	24.5 mm
L3	13 mm

Basic ejector

SBP 25 G03 SDA

Part no.:10.02.01.00604

<https://www.schmalz.com/10.02.01.00604>



Attribute	Value
L4	12.5 mm
LG1	9 mm
LG2	10 mm
SW1	17 mm
SW2	19 mm
X1	20 mm

Technical Data

Attribute	Value
Nozzle diameter	2.5 mm
Degree of evacuation	85 %
Suction rate (max.)	12.9 m ³ /h
Suction rate (max.)	215 l/min
Air consumption suction	18.7 m ³ /h
Air consumption suction	311 l/min
Sound level free	78 dB(A)
Sound level suction	70 dB(A)
Pressure range (operating pressure)	3.0 ... 6.0 bar
Pressure optimal	4.5 bar
Recomm. internal hose diameter compressed air	6 mm
Recomm. internal hose diameter vacuum	7 mm
Operating temperature	0 ... 60 °C
Pressure range (operating pressure)	43.5...87.0
Suction rate (max.)	7.592 cfm
Air consumption suction	10.982 cfm

Basic ejector SBP 25 G03 SDA

Part no.:10.02.01.00604

<https://www.schmalz.com/10.02.01.00604>



Attribute	Value
Weight	50 g

Note: Air consumption: At optimal operating pressure Hose diameter: For max. length 2 m

Spare Parts



SD G3/8-AG 20x76 SBP

Part no.10.02.01.00719

Silencer for vacuum generators

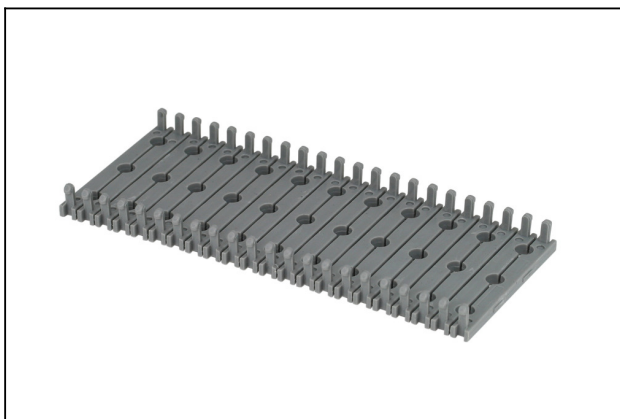
Thread G1: G3/8"-M

External diameter D: 20 mm

Length L: 76 mm

for: Basic ejectors SBP

Accessories



BEF-PL 110x44.5x3 SBP

Part no.10.02.01.00511

Mounting plate

Length L: 110 mm

Width B: 44.5 mm

Height H: 3 mm

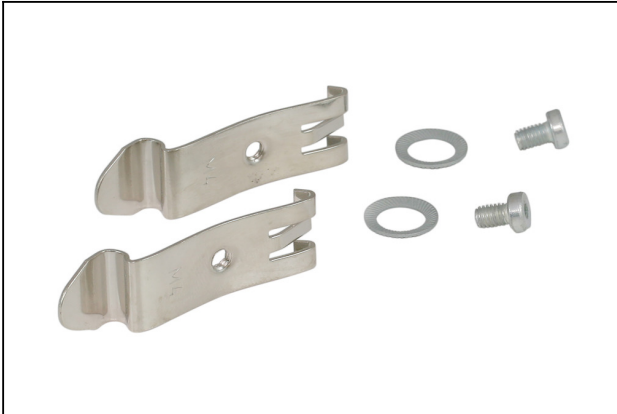
for: Basic ejectors SBP

Basic ejector

SBP 25 G03 SDA

Part no.:10.02.01.00604

<https://www.schmalz.com/10.02.01.00604>



SET SBP M4-IG

Part no.10.02.01.00769

Mounting set

for: Basic ejectors SBP

Type: M4-IG



VFT G3/8-IG 80

Part no.10.07.01.00122

Vacuum cup filter with transparent housing and replaceable filter

Connection: G3/8"-F

Shape: Long filter insert

Nominal flow rate: 14.7 m³/h

Filter pore size: 80 μm



VFT G3/8-IG 100

Part no.10.07.01.00123

Vacuum cup filter with transparent housing and replaceable filter

Connection: G3/8"-F

Shape: Long filter insert

Nominal flow rate: 17.4 m³/h

Filter pore size: 100 μm

X-ON Electronics

Largest Supplier of Electrical and Electronic Components

Click to view similar products for [Bench Top Tools](#) category:

Click to view products by [SCHMALZ](#) manufacturer:

Other Similar products are found below :

[0027](#) [6104-201-2102](#) [6104-201-2502](#) [6-1372442-6](#) [62500-1584](#) [63801-7252](#) [63801-7269](#) [69002-5525](#) [691667-1](#) [768539-1](#) [854130-1](#)
[854946-2](#) [856203-1](#) [904449-1](#) [9-22280-9](#) [986096-2](#) [992438-3](#) [1-21000-3](#) [1-21000-4](#) [1-21000-1](#) [1-25022-4](#) [1302263353](#) [1424264-1](#)
[1424267-1](#) [1428211-1](#) [1-455755-6](#) [1752324-1](#) [1752744-1](#) [18023-9](#) [189763-1](#) [1901726-1](#) [1954222-1](#) [2079747-1](#) [21001-2](#) [2119083-1](#)
[2119085-1](#) [2119371-1](#) [2161362-2](#) [2161930-1](#) [2217088-2](#) [2217339-1](#) [2217347-1](#) [22281-9](#) [22374-7](#) [240825-4](#) [992342-2](#) [2030790-2](#) [2063796-1](#) [2063799-2](#) [2119092-1](#)