

# Compact ejector

## SCPSi 15 G02 NO M12-5

Part no.:10.02.02.04124

<https://www.schmalz.com/10.02.02.04124>

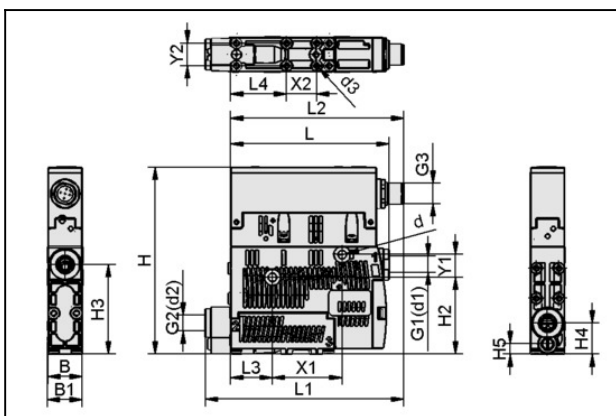
Homepage > Vacuum Technology for Automation > Vacuum Components > Vacuum Generators > Compact ejectors > Compact Ejectors SCPS / SCPSi > SCPSi 15 G02 NO M12-5

## Compact ejector



Nozzle size: 1,5 mm  
 Connection: G1/8"(1)-G1/8"(2)  
 Suction rate (max): 65.5 l/min  
 Air consumption (during evac.):  
 98.5 l/min  
 Noise level (free): 77 dB  
 at operating press.: 2.0 ... 6.0 bar  
 Vacuum (max): -850 mbar  
 Control: Normally open  
 with: digital air-saving function  
 Electrical connection:  
 Male connect M12, 5 pol  
 Protection: IP 65 (with plug)  
 Connection: M12-5

## Design Data



Attribute	Value
B	18 mm
B1	18.6 mm
d	4.4 mm
d3	2.6 mm
G1	G1/8"-IG
G2	G1/8"-F
G3	M12x1-M
H	99 mm
H2	40.8 mm

# Compact ejector

## SCPSi 15 G02 NO M12-5

Part no.:10.02.02.04124

<https://www.schmalz.com/10.02.02.04124>



Attribute	Value
H3	47.5 mm
H4	16.5 mm
H5	5.5 mm
L	83.8 mm
L1	105 mm
L2	91.5 mm
L3	22 mm
L4	29.5 mm
X1	36.9 mm
X2	16 mm
Y1	12 mm
Y2	12 mm

---

### Technical Data

Attribute	Value
Nozzle size	15
Degree of evacuation	85 %
Suction rate (max.)	4.03 m <sup>3</sup> /h
Suction rate (max.)	65.5 l/min
Air consumption suction	6.03 m <sup>3</sup> /h
Air consumption suction	98.5 l/min
Air consumption blow off	7.25 m <sup>3</sup> /h
Max. air consumption blow off	118 l/min
Sound level free	77 dB(A)
Sound level suction	65 dB(A)

# Compact ejector

## SCPSi 15 G02 NO M12-5

Part no.:10.02.02.04124

<https://www.schmalz.com/10.02.02.04124>



Attribute	Value
Pressure range (operating pressure)	2.0 ... 6.0 bar
Recomm. internal hose diameter compressed air	4 mm
Recomm. internal hose diameter vacuum	6 mm
Weight	0.195 kg
Operating temperature	0 ... 50 °C
Pressure range (operating pressure)	29.0...87.0
Suction rate (max.)	2.313 cfm
Air consumption suction	3.478 cfm
Air consumption blow off	4.267 cfm
Max. vacuum	-25.1 inHg
Product family	SCPSi

### Spare Parts



#### **SD-EINS 15x16.5 SD**

Part no.10.02.02.04141

Silencer insert

External diameter D: 15 mm

Length L: 16.5 mm

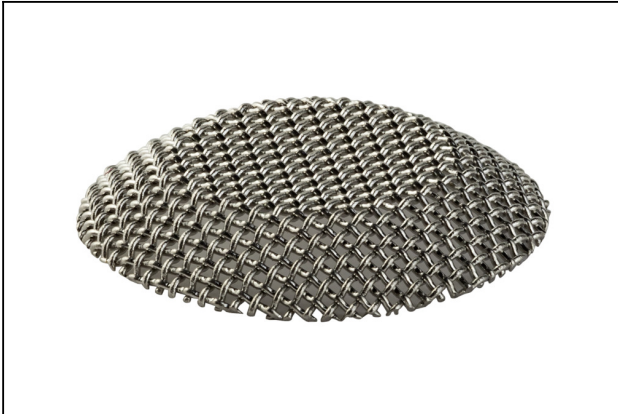
for: Silencers

## Compact ejector

### SCPSi 15 G02 NO M12-5

Part no.:10.02.02.04124

<https://www.schmalz.com/10.02.02.04124>



#### **SIEB 11x2 X-5 0.415/0.22**

Part no.10.02.02.04404

Screen

External diameter D: 11 mm

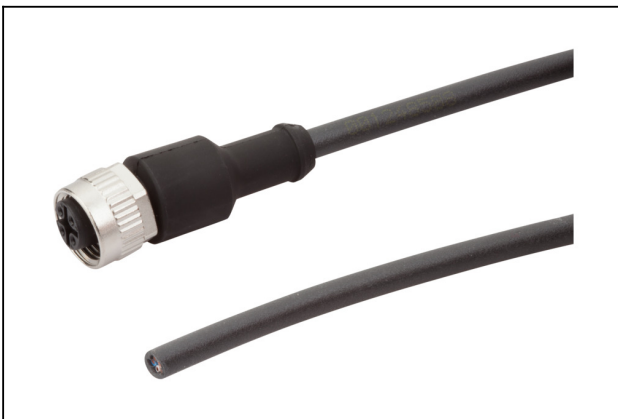
Length L: 2 mm

Material: Stainless steel X5 CrNi

Mesh: 0.415 mm

Wire size: 0.22 mm

## Accessories



#### **ASK B-M12-5 5000 K-5P**

Part no.21.04.05.00080

Connection cable

Interface Connection 1:

Fem connect M12, 5 pol

Cable length: 5000 mm

Interface Connection 2: Cable 5

Material: PUR-Cable

Shape: Straight



#### **ASV SMPI/SCPI 2xS-M12-4**

Part no.10.02.02.03490

Connection distributor

for: Ejector SMPI/SCPI

Interface Connection cable:

Fem connect M12, 5 pol

Interface Connection cable:

2xConnect M12, 4 pol

Length L: 1050 mm

## Compact ejector SCPSi 15 G02 NO M12-5

Part no.:10.02.02.04124

<https://www.schmalz.com/10.02.02.04124>



### VFI CN6/4 50

Part no.10.07.01.00241

Vacuum filter with replaceable filter cartridge

Connection: Hose 6/4 with Cap nut

Filter pore size: 50 µm



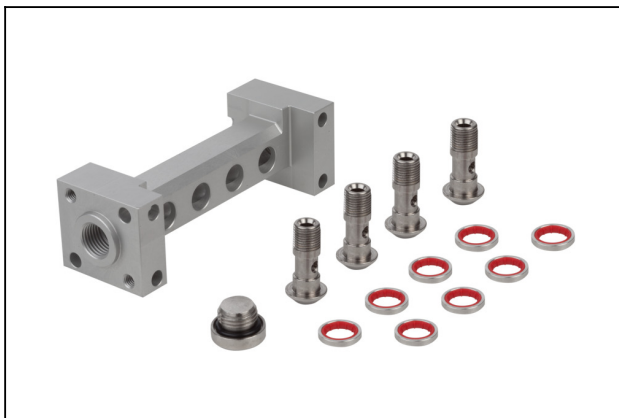
### VFI CN8/6 50

Part no.10.07.01.00245

Vacuum filter with replaceable filter cartridge

Connection: Hose 8/6 with Cap nut

Filter pore size: 50 µm



### GP 4 SCPS 07..15 G2

Part no.10.02.02.04338

Compressed air distributor for use as a manifold and for building ejector blocks

Number of connections: 4

Length L: 108 mm

Width B: 38 mm

Height H: 34 mm

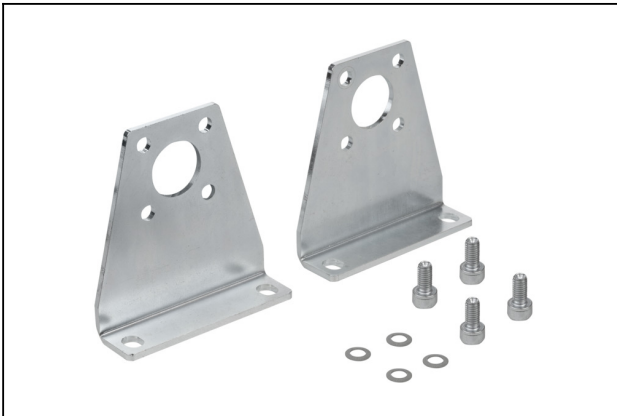
for: Ejector SCPS 07..15 G2

## Compact ejector

### SCPSi 15 G02 NO M12-5

Part no.:10.02.02.04124

<https://www.schmalz.com/10.02.02.04124>



#### SET SCPS

Part no.10.02.02.04343

Mounting set

for: Compact ejectors SCPS



#### ABL-SET SCPS einstufig

Part no.10.02.02.04216

Exhaust air set

for: Compact ejectors SCPS

Size: einstufig



#### ASK B-M12-5 1000 S-M12-5

Part no.21.04.05.00158

Connection cable

Interface Connection 1:

Fem connect M12, 5 pol

Cable length: 1000 mm

Interface Connection 2:

Male connect M12, 5 pol

Material: PUR-Cable

## Compact ejector

### SCPSi 15 G02 NO M12-5

Part no.:10.02.02.04124

<https://www.schmalz.com/10.02.02.04124>



#### ASK B-M12-5 2000 S-M12-5

Part no.21.04.05.00211

Connection cable

Interface Connection 1:

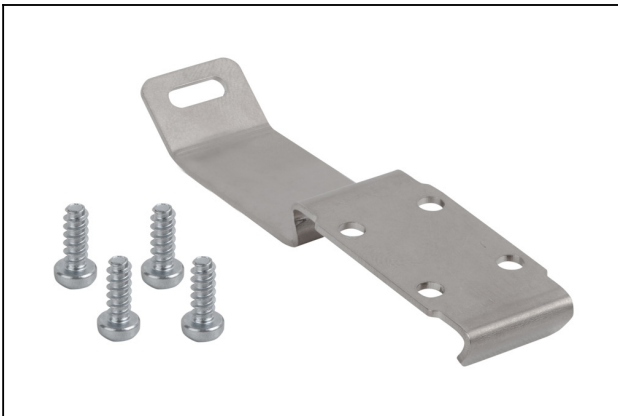
Fem connect M12, 5 pol

Cable length: 2000 mm

Interface Connection 2:

Male connect M12, 5 pol

Material: PUR-Cable



#### HUT-SN-KL 70x18x8

Part no.10.02.02.04149

Top-hat rail clamp comp.

Length L: 70 mm

Width B: 18 mm

Height H: 8 mm

Section type: EN 50022



#### VFI 6/4 50

Part no.10.07.01.00328

Vacuum filter with replaceable filter cartridge

Connection: Hose 6/4

Filter pore size: 50 µm

## Compact ejector

### SCPSi 15 G02 NO M12-5

Part no.:10.02.02.04124

<https://www.schmalz.com/10.02.02.04124>



#### **VFT G1/4-IG 80**

Part no.10.07.01.00119

Vacuum cup filter with transparent housing and replaceable filter

Connection: G1/4"-F

Shape: Short filter insert

Nominal flow rate: 6.6 m<sup>3</sup>/h

Filter pore size: 80 µm



## X-ON Electronics

Largest Supplier of Electrical and Electronic Components

*Click to view similar products for [Bench Top Tools](#) category:*

*Click to view products by [SCHMALZ](#) manufacturer:*

Other Similar products are found below :

[0027](#) [6104-201-2102](#) [6104-201-2502](#) [6-1372442-6](#) [62500-1584](#) [63801-7252](#) [63801-7269](#) [69002-5525](#) [691667-1](#) [768539-1](#) [854130-1](#)  
[854946-2](#) [856203-1](#) [904449-1](#) [9-22280-9](#) [986096-2](#) [992438-3](#) [1-21000-3](#) [1-21000-4](#) [1-21000-1](#) [1-25022-4](#) [1302263353](#) [1424264-1](#)  
[1424267-1](#) [1428211-1](#) [1-455755-6](#) [1752324-1](#) [1752744-1](#) [18023-9](#) [189763-1](#) [1901726-1](#) [1954222-1](#) [2079747-1](#) [21001-2](#) [2119083-1](#)  
[2119085-1](#) [2119371-1](#) [2161362-2](#) [2161930-1](#) [2217088-2](#) [2217339-1](#) [2217347-1](#) [22281-9](#) [22374-7](#) [240825-4](#) [992342-2](#) [2030790-2](#) [2063796-1](#) [2063799-2](#) [2119092-1](#)