

Bell suction cup (round)

SPB1 30 ED-65 G1/8-AG

Part no.:10.01.06.03496

<https://www.schmalz.com/10.01.06.03496>

Homepage > Vacuum Technology for Automation > Vacuum Components > Vacuum Suction Cups > Suction Cups for Packaging > Bellows

Suction Cups SPB1 (1.5 Folds) > SPB1 30 ED-65 G1/8-AG

Bellows suction cup (round) for very uneven workpieces



Size: 30

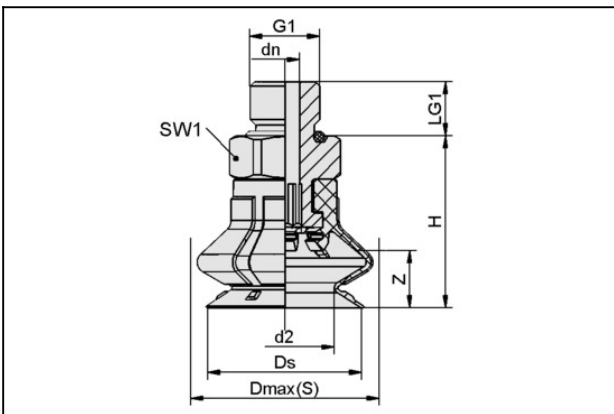
Suction cup material: Elastodur

Material hardness: 65 °Sh

Thread G1: G1/8"-M

Number of folds: 1.5

Design Data



Attribute	Value
d2	20 mm
dn	4.1 mm
Dmax(S)	36.7 mm
Ds	31.4 mm
G1	G1/8"-AG
H	29 mm
LG1	7.5 mm
SW1	14 mm
Z (Stroke)	13 mm

Technical Data

Bell suction cup (round)

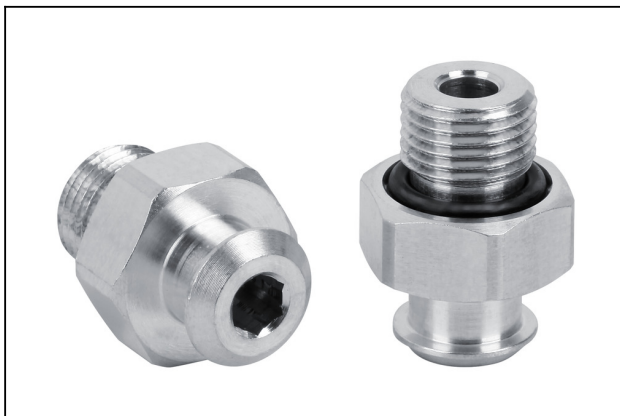
SPB1 30 ED-65 G1/8-AG

Part no.:10.01.06.03496

<https://www.schmalz.com/10.01.06.03496>

Attribute	Value
Suction force (-600mbar)	20.7 N
Pull-off force	30.6 N
Lateral force	15.5 N
Volume	7.993 cm ³
Curve radius (min) (convex)	35 mm
Hose diameter (empf.) d	6 mm
Size	30
Number of folds	1.5
Suction cup material	Elastodur
Material hardness [Shore A]	65 Shore A
Weight	7.9 g
Product family	SPB1

Spare Parts



SC 040 G1/8-AG

Part no.10.01.06.02490

Connection element for suction cup "SchmalzConnector"

Connection geometry: 040

Vacuum connection: G1/8"-M

Overall length: 20.2 mm

Fitting length: 6 mm

Nominal diameter dn: 4.1 mm

Bell suction cup (round)

SPB1 30 ED-65 G1/8-AG

Part no.:10.01.06.03496

<https://www.schmalz.com/10.01.06.03496>



SPB1 30 ED-65 SC040

Part no.10.01.06.02454

Bellows suction cup (round) with 1.5 corr. for dynamic handling of cardboard and rigid packaging

Size: 30

Suction cup material: Elastodur

Material hardness: 65 °Sh

Number of folds: 1.5

Accessories



SIEB 11x1 MS-A2 280 0.28/0.16

Part no.10.07.01.00309

Screen

External diameter D: 11 mm

Length L: 1 mm

Material: Brass / Stainless steel

Filter pore size: 280 µm

Mesh: 0.28 mm

Wire size: 0.16 mm



SPI 26 PA SPB1-30

Part no.10.01.06.03386

Suction cup insert for preventing deformation of sensitive workpieces

Size: 26

Material: Polyamide

Application: SPB1-30

X-ON Electronics

Largest Supplier of Electrical and Electronic Components

Click to view similar products for [Bench Top Tools](#) category:

Click to view products by [SCHMALZ](#) manufacturer:

Other Similar products are found below :

[0027](#) [6104-201-2102](#) [6104-201-2502](#) [6-1372442-6](#) [62500-1584](#) [63801-7252](#) [63801-7269](#) [69002-5525](#) [691667-1](#) [768539-1](#) [854130-1](#)
[854946-2](#) [856203-1](#) [904449-1](#) [9-22280-9](#) [986096-2](#) [992438-3](#) [1-21000-3](#) [1-21000-4](#) [1-21000-1](#) [1-25022-4](#) [1302263353](#) [1424264-1](#)
[1424267-1](#) [1428211-1](#) [1-455755-6](#) [1752324-1](#) [1752744-1](#) [18023-9](#) [189763-1](#) [1901726-1](#) [1954222-1](#) [2079747-1](#) [21001-2](#) [2119083-1](#)
[2119085-1](#) [2119371-1](#) [2161362-2](#) [2161930-1](#) [2217088-2](#) [2217339-1](#) [2217347-1](#) [22281-9](#) [22374-7](#) [240825-4](#) [992342-2](#) [2030790-2](#) [2063796-1](#) [2063799-2](#) [2119092-1](#)