

Flat suction cup (round)

SPF 15 ED-65 G1/8-AG

Part no.:10.01.01.13238

<https://www.schmalz.com/10.01.01.13238>

Homepage > Vacuum Technology for Automation > Vacuum Components > Vacuum Suction Cups > Suction Cups for Packaging > Flat Suction Cups SPF > SPF 15 ED-65 G1/8-AG

Flat suction cup (round) for dynamic handling of cardboard and rigid packaging



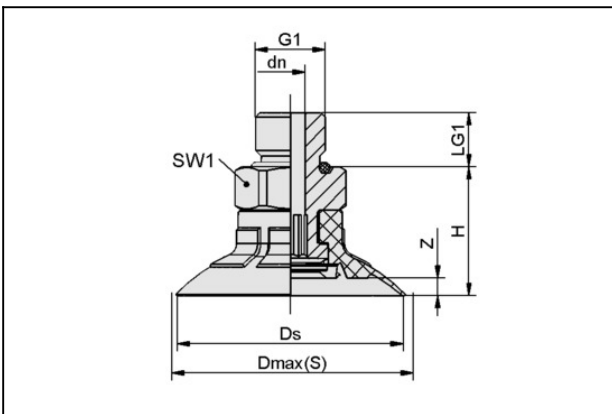
Size: 15

Suction cup material: Elastodur

Material hardness: 65 °Sh

Thread G1: G1/8"-M

Design Data



Attribute	Value
dn	4.1 mm
Dmax(S)	18.5 mm
Ds	16.4 mm
G1	G1/8"-AG
H	16 mm
LG1	7.5 mm
SW1	14 mm
Z (Stroke)	1.5 mm

Technical Data

Flat suction cup (round)

SPF 15 ED-65 G1/8-AG

Part no.:10.01.01.13238

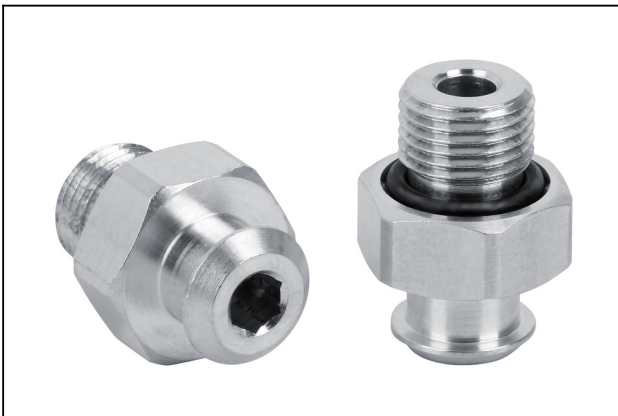
<https://www.schmalz.com/10.01.01.13238>



Attribute	Value
Suction force (-600mbar)	9.8 N
Pull-off force	11 N
Lateral force	7.9 N
Volume	0.758 cm ³
Curve radius (min) (convex)	13 mm
Hose diameter (empf.) d	4 mm
Size	15
Number of folds	0
Suction cup material	Elastodur
Material hardness [Shore A]	65 Shore A
Weight	5.9 g
Product family	SPF

Note: Suction force: The specified suction forces are theoretical values at a vacuum of -0.6 bar and with a smooth, dry workpiece surface - they do not include a safety factor
Hose diameter: The recommended hose diameter refers to a hose length of approx. 2 m

Spare Parts



SC 040 G1/8-AG

Part no.10.01.06.02490

Connection element for suction cup "SchmalzConnector"

Connection geometry: 040

Vacuum connection: G1/8"-M

Overall length: 20.2 mm

Fitting length: 6 mm

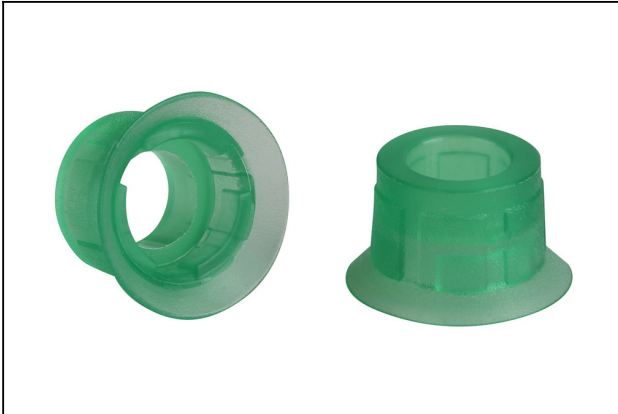
Nominal diameter dn: 4.1 mm

Flat suction cup (round)

SPF 15 ED-65 G1/8-AG

Part no.:10.01.01.13238

<https://www.schmalz.com/10.01.01.13238>



SPF 15 ED-65 SC040

Part no.10.01.01.12895

Flat suction cup (round) for dynamic handling of cardboard and rigid packaging

Size: 15

Suction cup material: Elastodur

Material hardness: 65 °Sh

X-ON Electronics

Largest Supplier of Electrical and Electronic Components

Click to view similar products for [Bench Top Tools](#) category:

Click to view products by [SCHMALZ](#) manufacturer:

Other Similar products are found below :

[0027](#) [6104-201-2102](#) [6104-201-2502](#) [6-1372442-6](#) [62500-1584](#) [63801-7252](#) [63801-7269](#) [69002-5525](#) [691667-1](#) [768539-1](#) [854130-1](#)
[854946-2](#) [856203-1](#) [904449-1](#) [9-22280-9](#) [986096-2](#) [992438-3](#) [1-21000-3](#) [1-21000-4](#) [1-21000-1](#) [1-25022-4](#) [1302263353](#) [1424264-1](#)
[1424267-1](#) [1428211-1](#) [1-455755-6](#) [1752324-1](#) [1752744-1](#) [18023-9](#) [189763-1](#) [1901726-1](#) [1954222-1](#) [2079747-1](#) [21001-2](#) [2119083-1](#)
[2119085-1](#) [2119371-1](#) [2161362-2](#) [2161930-1](#) [2217088-2](#) [2217339-1](#) [2217347-1](#) [22281-9](#) [22374-7](#) [240825-4](#) [992342-2](#) [2030790-2](#) [2063796-1](#) [2063799-2](#) [2119092-1](#)