

## Flat suction cup (round)

SPF 60 ED-65 G1/4-IG

Part no.:10.01.01.13251

<https://www.schmalz.com/10.01.01.13251>

Homepage > Vacuum Technology for Automation > Vacuum Components > Vacuum Suction Cups > Suction Cups for Packaging > Flat Suction Cups SPF > SPF 60 ED-65 G1/4-IG

### Flat suction cup (round) for dynamic handling of cardboard and rigid packaging



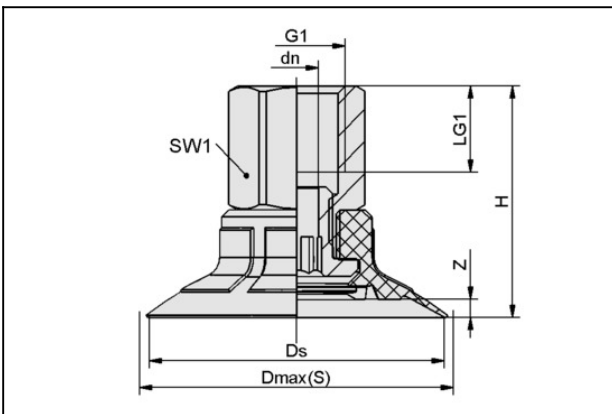
Size: 60

Suction cup material: Elastodur

Material hardness: 65 °Sh

Thread G1: G1/4"-F

#### Design Data



Attribute	Value
dn	6.1 mm
Dmax(S)	65 mm
Ds	61.2 mm
G1	G1/4"-IG
H	35.3 mm
LG1	12 mm
SW1	17 mm
Z (Stroke)	5.1 mm

#### Technical Data

## Flat suction cup (round)

### SPF 60 ED-65 G1/4-IG

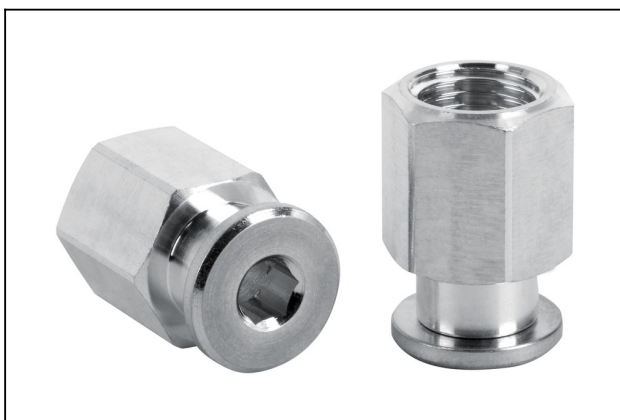
Part no.:10.01.01.13251

<https://www.schmalz.com/10.01.01.13251>

Attribute	Value
Suction force (-600mbar)	107 N
Pull-off force	135 N
Lateral force	65 N
Volume	12.669 cm <sup>3</sup>
Curve radius (min) (convex)	75 mm
Hose diameter (empf.) d	6 mm
Size	60
Number of folds	0
Suction cup material	Elastodur
Material hardness [Shore A]	65 Shore A
Weight	23.7 g
Product family	SPF

Note: Suction force: The specified suction forces are theoretical values at a vacuum of -0.6 bar and with a smooth, dry workpiece surface - they do not include a safety factor  
Hose diameter: The recommended hose diameter refers to a hose length of approx. 2 m

## Spare Parts



### SC 050 G1/4-IG

Part no.10.01.06.02488

Connection element for suction cup "SchmalzConnector"

Connection geometry: 050

Vacuum connection: G1/4"-F

Overall length: 26.5 mm

Fitting length: 17.2 mm

Nominal diameter dn: 6.1 mm

## Flat suction cup (round)

SPF 60 ED-65 G1/4-IG

Part no.:10.01.01.13251

<https://www.schmalz.com/10.01.01.13251>



### SPF 60 ED-65 SC050

Part no.10.01.01.12896

Flat suction cup (round) for dynamic handling of cardboard and rigid packaging

Size: 60

Suction cup material: Elastodur

Material hardness: 65 °Sh

## Accessories



### SIEB 17.5x0.8 MS-A2 280 0.28/0.16

Part no.10.07.01.00308

Screen

External diameter D: 17.5 mm

Length L: 0.8 mm

Material: Brass / Stainless steel

Filter pore size: 280 µm

Mesh: 0.28 mm

Wire size: 0.16 mm



### SU 60

Part no.10.01.01.13585

Cover for suction cup

Size: 60

Clamping range: 60.0 ... 70.0 mm

Temperature resistance: 80 °C

## X-ON Electronics

Largest Supplier of Electrical and Electronic Components

*Click to view similar products for [Bench Top Tools](#) category:*

*Click to view products by [SCHMALZ](#) manufacturer:*

Other Similar products are found below :

[0027](#) [6104-201-2102](#) [6104-201-2502](#) [6-1372442-6](#) [62500-1584](#) [63801-7252](#) [63801-7269](#) [69002-5525](#) [691667-1](#) [768539-1](#) [854130-1](#)  
[854946-2](#) [856203-1](#) [904449-1](#) [9-22280-9](#) [986096-2](#) [992438-3](#) [1-21000-3](#) [1-21000-4](#) [1-21000-1](#) [1-25022-4](#) [1302263353](#) [1424264-1](#)  
[1424267-1](#) [1428211-1](#) [1-455755-6](#) [1752324-1](#) [1752744-1](#) [18023-9](#) [189763-1](#) [1901726-1](#) [1954222-1](#) [2079747-1](#) [21001-2](#) [2119083-1](#)  
[2119085-1](#) [2119371-1](#) [2161362-2](#) [2161930-1](#) [2217088-2](#) [2217339-1](#) [2217347-1](#) [22281-9](#) [22374-7](#) [240825-4](#) [992342-2](#) [2030790-2](#) [2063796-1](#) [2063799-2](#) [2119092-1](#)