

## Vacuum/pressure switch

### VSi VP8 M12-4

Part no.:10.06.02.00572

<https://www.schmalz.com/10.06.02.00572>

Homepage > Vacuum Technology for Automation > Vacuum Components > Switches and System Monitoring > Electronic Vacuum and Pressure Switches > Vacuum and Pressure Switches VSi > VSi VP8 M12-4

## Vacuum and pressure switch with two digital output signals and IO-Link function



Measuring range: -1...8 bar

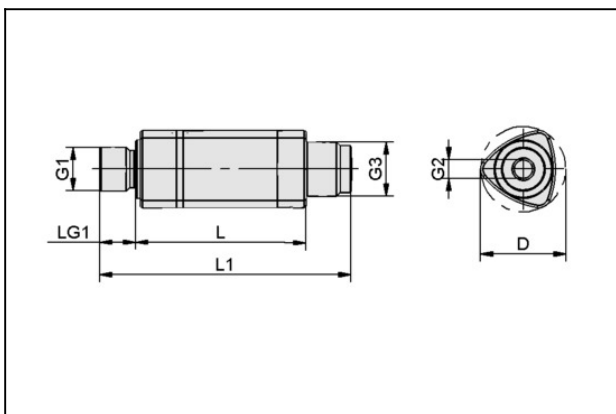
Electrical connection:

Male connect M12, 4 pol

Indication: LED

Protection: IP 65

### Design Data



Attribute	Value
D	19.6 mm
G1	G1/8"-AG
G2	M5-F
G3	M12x1-M
L	38 mm
L1	56 mm
LG1	8 mm

### Technical Data

Attribute	Value
Measured medium	Non-aggressive gases; dry, oil-free air

## Vacuum/pressure switch

### VSi VP8 M12-4

Part no.:10.06.02.00572

<https://www.schmalz.com/10.06.02.00572>

Attribute	Value
Measuring range	-1.0...8.0 bar
Overpressure resistance	12 bar
Repeatability	± 3% of measuring range
Hysteresis	Adjustable
Inputs/outputs	2 digital
Switching capacity (max)	100 mA
Indication	LED
Electrical connection	Connector M12, 4 pole
Connection	G1/8"-M + M5-F
Voltage	10-30V DC
Current consumption	35 mA
Protection type IP	IP 65
Temperature influence	± 3% of measuring range
Operating temperature	0 ... 50 °C
Weight	12 g
Measuring range	-14.5...116.0
Overpressure resistance	174.04 psi

---

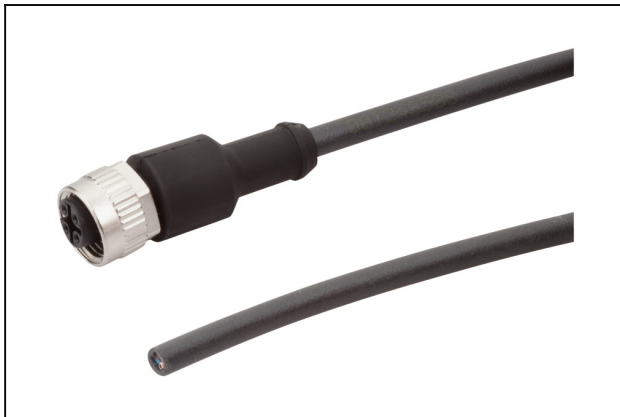
## Accessories

## Vacuum/pressure switch

### VSi VP8 M12-4

Part no.:10.06.02.00572

<https://www.schmalz.com/10.06.02.00572>



#### **ASK B-M12-4 5000 K-4P**

Part no.21.04.05.00263

Connection cable

Interface Connection 1:

Fem connect M12, 4 pol

Cable length: 5000 mm

Interface Connection 2: Cable 4

Material: PUR-Cable



#### **BEF-WIN 21x22x60.5 1.5 VS**

Part no.10.06.02.00061

Mounting bracket

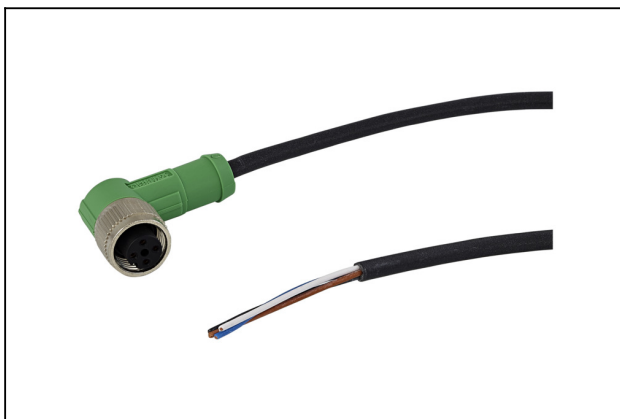
Width B: 21 mm

Height H: 22 mm

Length L: 60.5 mm

Wall thickness s: 1.5 mm

for: Vacuum switch



#### **ASK WB-M12-5 5000 K-4P**

Part no.21.04.05.00557

Connection cable

Interface Connection 1:

Elbow fem con M12, 5pol

Cable length: 5000 mm

Interface Connection 2: Cable 4

Material: PUR-Cable

## Vacuum/pressure switch

VSi VP8 M12-4

Part no.:10.06.02.00572

<https://www.schmalz.com/10.06.02.00572>



### **STVI-GE G1/8-IG 4**

Part no.10.08.02.00149

Push-in Fitting, straight

Thread G1: G1/8"-F

External hose diameter: 4 mm

Material: Brass

Surface: nickel plated

Ambient temperature: -20 ... 80 °C



### **STVI-GE G1/8-IG 6**

Part no.10.08.02.00150

Push-in Fitting, straight

Thread G1: G1/8"-F

External hose diameter: 6 mm

Material: Brass

Surface: nickel plated

Ambient temperature: -20 ... 80 °C



### **STVI-GE G1/8-IG 8**

Part no.10.08.02.00151

Push-in Fitting, straight

Thread G1: G1/8"-F

External hose diameter: 8 mm

Material: Brass

Surface: nickel plated

Ambient temperature: -20 ... 80 °C

## Vacuum/pressure switch

VSi VP8 M12-4

Part no.:10.06.02.00572

<https://www.schmalz.com/10.06.02.00572>



### HTR-VSi Clip

Part no.10.06.02.00718

Plastic holder for mounting vacuum VSi / VS-V-SA

Connection geometry: Clip

Packaging unit: 2 pieces

## X-ON Electronics

Largest Supplier of Electrical and Electronic Components

*Click to view similar products for [Bench Top Tools](#) category:*

*Click to view products by [SCHMALZ](#) manufacturer:*

Other Similar products are found below :

[0027](#) [6104-201-2102](#) [6104-201-2502](#) [6-1372442-6](#) [62500-1584](#) [63801-7252](#) [63801-7269](#) [69002-5525](#) [691667-1](#) [768539-1](#) [854130-1](#)  
[854946-2](#) [856203-1](#) [904449-1](#) [9-22280-9](#) [986096-2](#) [992438-3](#) [1-21000-3](#) [1-21000-4](#) [1-21000-1](#) [1-25022-4](#) [1302263353](#) [1424264-1](#)  
[1424267-1](#) [1428211-1](#) [1-455755-6](#) [1752324-1](#) [1752744-1](#) [18023-9](#) [189763-1](#) [1901726-1](#) [1954222-1](#) [2079747-1](#) [21001-2](#) [2119083-1](#)  
[2119085-1](#) [2119371-1](#) [2161362-2](#) [2161930-1](#) [2217088-2](#) [2217339-1](#) [2217347-1](#) [22281-9](#) [22374-7](#) [240825-4](#) [992342-2](#) [2030790-2](#) [2063796-1](#) [2063799-2](#) [2119092-1](#)