

## Vacuum hose

### VSL 42-32 PU-DS-AS

Part no.:10.07.09.00036

<https://www.schmalz.com/10.07.09.00036>

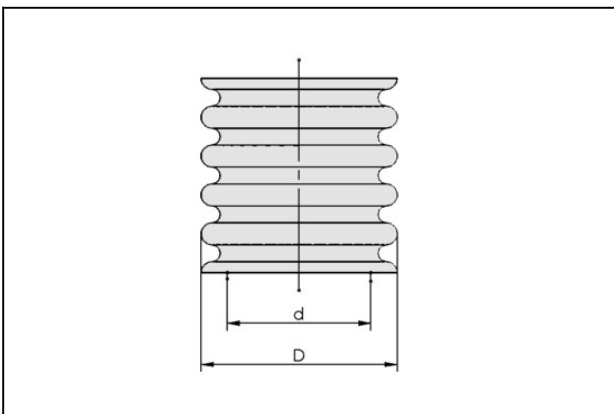
Homepage > Vacuum Technology for Automation > Vacuum Components > Filters and Connections > Hoses and Connectors > Vacuum /  
Compressed Air Hoses VSL > VSL 42-32 PU-DS-AS

## Hose for vacuum and compressed-air systems



External diameter D: 42 mm  
Internal diameter d: 32 mm  
Length (max): 20 m  
Material: PU, wire spiral, antistat  
Installation radius (min): 25 mm  
Colour: Transparent  
Pressure range (operating pressure):  
-1.00 ... 3.77 bar  
Ambient temperature: -40 ... 90 °C

## Design Data



Attribute	Value
d	32 mm
D	42 mm

## Technical Data

Attribute	Value
Hose type	42-32
Pressure range (operating pressure)	-0,95 ... 3,20 bar

## Vacuum hose

### VSL 42-32 PU-DS-AS

Part no.:10.07.09.00036

<https://www.schmalz.com/10.07.09.00036>

Attribute	Value
Operating temperature	-20 ... 90 °C
Bending radius min.	25 mm
Length max.	20 m
Weight/Meter	440 g/m
Weight/Meter	0.44 kg/m

Note: Operating pressure: In reference to media and ambient temperature of + 20°C Bending radius: Referred to the inner side of the hose bend in a static state Max. length: Please indicate the tube length when placing the order!

## Accessories



### SSD 35-40 ST-VZ

Part no.10.07.10.00018

Hose clamp for securing wire-reinforced hoses

Clamping range: 35.0 ... 40.0 mm

Material: Steel

Surface: galvanised



### KAPP 9 Band

Part no.20.12.01.00036

Cap (rectangular)

Length L: 9 mm

Size: Band

## Vacuum hose

VSL 42-32 PU-DS-AS

Part no.:10.07.09.00036

<https://www.schmalz.com/10.07.09.00036>



### SSD 38-43 ST-VZ

Part no.10.07.10.00019

Hose clamp for securing wire-reinforced hoses

Clamping range: 38.0 ... 43.0 mm

Material: Steel

Surface: galvanised



### ST G1-AG 32 MS-V

Part no.10.08.03.00168

Hose sleeve

Thread G1: G1"-M

Internal hose diameter: 32 mm

Material: Brass

Surface: nickel plated



### ST G1-1/4-AG 32 MS-V

Part no.10.08.03.00169

Hose sleeve

Thread G1: G1-1/4"-M

Internal hose diameter: 32 mm

Material: Brass

Surface: nickel plated

## X-ON Electronics

Largest Supplier of Electrical and Electronic Components

*Click to view similar products for [Bench Top Tools](#) category:*

*Click to view products by [SCHMALZ](#) manufacturer:*

Other Similar products are found below :

[0027](#) [6104-201-2102](#) [6104-201-2502](#) [6-1372442-6](#) [62500-1584](#) [63801-7252](#) [63801-7269](#) [69002-5525](#) [691667-1](#) [768539-1](#) [854130-1](#)  
[854946-2](#) [856203-1](#) [904449-1](#) [9-22280-9](#) [986096-2](#) [992438-3](#) [1-21000-3](#) [1-21000-4](#) [1-21000-1](#) [1-25022-4](#) [1302263353](#) [1424264-1](#)  
[1424267-1](#) [1428211-1](#) [1-455755-6](#) [1752324-1](#) [1752744-1](#) [18023-9](#) [189763-1](#) [1901726-1](#) [1954222-1](#) [2079747-1](#) [21001-2](#) [2119083-1](#)  
[2119085-1](#) [2119371-1](#) [2161362-2](#) [2161930-1](#) [2217088-2](#) [2217339-1](#) [2217347-1](#) [22281-9](#) [22374-7](#) [240825-4](#) [992342-2](#) [2030790-2](#) [2063796-1](#) [2063799-2](#) [2119092-1](#)