



EN Operating instructions. pages 1 to 10
Original

Content

1 About this document

1.1 Function 11

1.2 Target group: authorised qualified personnel. 11

1.3 Explanation of the symbols used 11

1.4 General safety instructions 11

1.5 Warning about misuse 11

1.6 Exclusion of liability 11

2 Product description

2.1 Ordering code 12

2.2 Special versions. 12

2.3 Destination and use 12

3 Mounting

3.1 General mounting instructions 12

3.2 Representation of installation options 12

3.3 Dimensions 13

3.4 Sequence of the steps 15

4 Appendix

4.1 Set-up checklist 19

1. About this document

1.1 Function

This operating instructions manual provides all the information you need for the mounting, set-up and commissioning to ensure the safe operation and disassembly of the the product. he operating instructions must be available in a legible condition and a complete version in the vicinity of the device.

1.2 Target group: authorised qualified personnel

All operations described in this operating instructions manual must be carried out by trained specialist personnel, authorised by the plant operator only.

Please make sure that you have read and understood these operating instructions and that you know all applicable legislations regarding occupational safety and accident prevention prior to installation and putting the component into operation.

The machine builder must carefully select the harmonised standards to be complied with as well as other technical specifications for the selection, mounting and integration of the components.

1.3 Explanation of the symbols used



Information, hint, note:

This symbol is used for identifying useful additional information.



Caution: Failure to comply with this warning notice could lead to failures or malfunctions.

Warning: Failure to comply with this warning notice could lead to physical injury and/or damage to the machine.

1.4 General safety instructions

The user must observe the safety instructions in this operating instructions manual, the country-specific installation standards as well as all prevailing safety regulations and accident prevention rules.



Further technical information can be found in the Schmersal catalogues or in the online catalogue on the Internet: www.schmersal.net.

The information contained in this operating instructions manual is provided without liability and is subject to technical modifications.

There are no residual risks, provided that the safety instructions as well as the instructions regarding mounting, commissioning, operation and maintenance are observed.

1.5 Warning about misuse



In case of inadequate or improper use or manipulations of the component, personal hazards or damage to machinery or plant components cannot be excluded. The relevant requirements of the standard ISO 14119 must be observed.

1.6 Exclusion of liability

We shall accept no liability for damages and malfunctions resulting from defective mounting or failure to comply with this operating instructions manual. The manufacturer shall accept no liability for damages resulting from the use of unauthorised spare parts or accessories.

For safety reasons, invasive work on the device as well as arbitrary repairs, conversions and modifications to the device are strictly forbidden; the manufacturer shall accept no liability for damages resulting from such invasive work, arbitrary repairs, conversions and/or modifications to the device.

2. Product description

2.1 Ordering code

This operating instructions manual applies to the following types:

AZ/AZM 200-B30-①T②③④-⑤

AZ/AZM201-B30-①T②③④-⑤

No.	Option	Description
①	L	Door hinge on left-hand side
	R	Door hinge on right-hand side
②	A	For mounting outside
	I	mounting inside
③	G1	with doorhandle
	G2	with rotating knob
④	P1	with emergency exit
	P20	with emergency exit metal *
	P25	with emergency exit inset handle *
	P30/P31	with locking rod *
⑤		without lockout tag
	SZ	with lockout tag *

* Only for mounting outside



The actuator unit AZ/AZM 200-B30... is intended exclusively for combination with the AZ/AZM 200 series basic component. The actuator unit AZ/AZM201-B30... is intended exclusively for combination with the AZ/AZM201 series basic component.



Only if the information described in this operating instructions manual are realised correctly, the safety function and therefore the compliance of the entire system with the Machinery Directive is maintained.

2.2 Special versions

For special versions, which are not listed in the order code below 2.1, these specifications apply accordingly, provided that they correspond to the standard version.

2.3 Destination and use

In conjunction with the solenoid interlock or switch, the actuator unit is suitable for hinged and sliding safety guards. The safety guard can be opened and closed from outside by turning the door-handle.

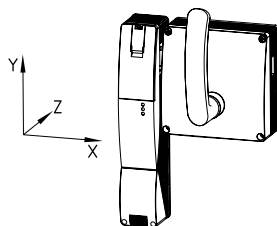


Holding force F_{max}
- mounting outside 2000 N
- mounting inside 1000 N

The actuator is pulled into the actuator unit by a spring. The actuator unit with emergency exit is used to open the safety guard inside the hazardous area. By actuating the emergency exit, the safety guard can be opened from within the hazardous area without the need for unlocking the solenoid interlock. The safety guard cannot be locked from inside. On accessible protective equipment, the lockout tag prevents persons from being inadvertently being trapped. When entering the hazardous area, each member of the operating or service team fixes a lock to the lockout tag to prevent the locking of the safety guard and therefore any inadvertent machine start.

Actuator unit play

X = ± 1.5 mm
Y = ± 5.0 mm
Z = ± 1.0 mm



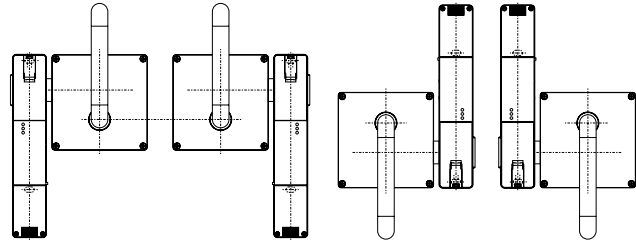
3. Mounting

3.1 General mounting instructions

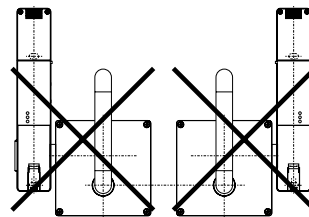


The installation may only be carried out by authorised personnel.

Admissible mounting set-up



Inadmissible mounting set-up



3.2 Representation of installation options

Actuators AZ/AZM 200-B30 and AZ/AZM201-B30 are available for either exterior or interior installation.

For outdoor use, the safety switchgear AZ/AZM 200 or AZ/AZM 201 is placed outside the hazardous area, for indoor use it is placed within the hazardous area.

	Mounting outside		Mounting inside	
With emergency exit	Right hinged door		Right hinged door	
	Left hinged door		Left hinged door	
Without emergency exit	Right hinged door			
	Left hinged door			



The minimum radius of the door when mounting outside is 400 mm, mounting inside 700 mm.

Assumptions:

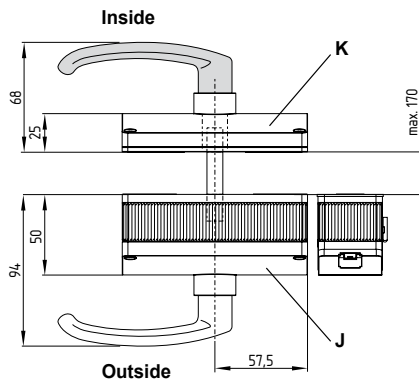
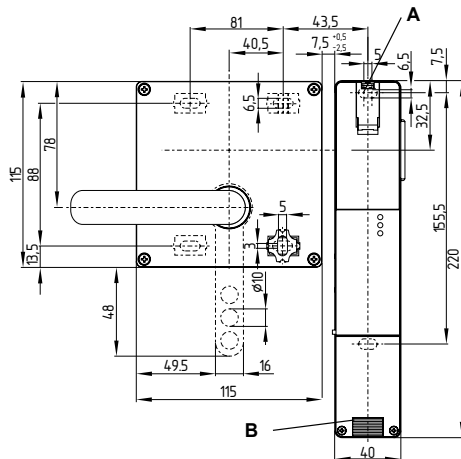
- 40 mm Profile
- Distance between solenoid interlock and actuator unit 7.5 mm
- Use standard hinge for 40 mm profile

3.3 Dimensions

All measurements in mm.

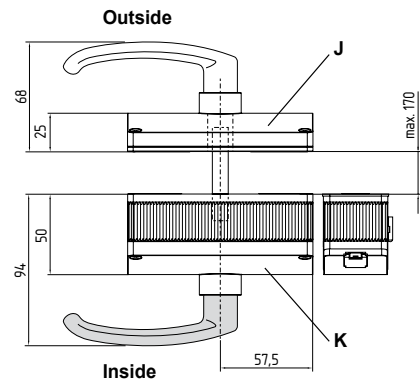
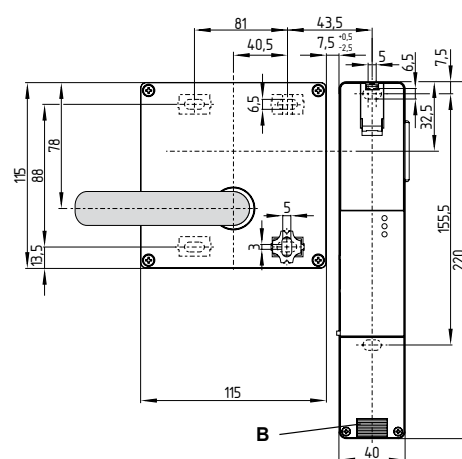
Mounting outside

AZM 200 and AZM 201 with actuator unit mounted outside the hazardous area

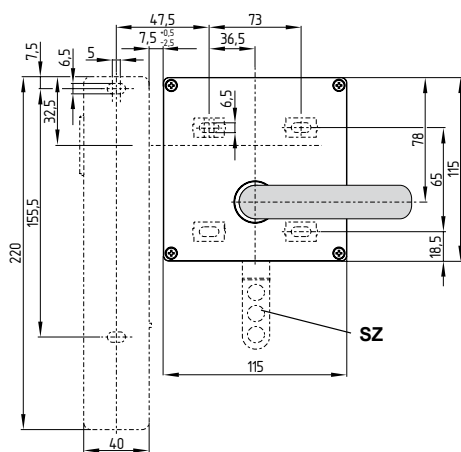


Mounting inside

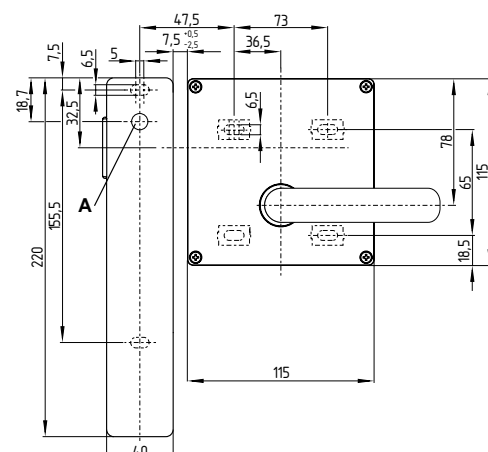
AZM 200 and AZM201 with emergency exit P1 mounted within the hazardous area



Interior view: Emergency exit P1



Exterior view: Actuator unit with door handle

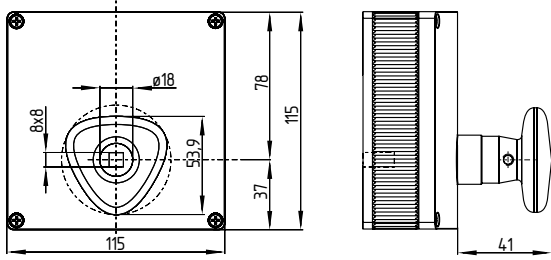


Key

- A = Manual release
- B = Cable entry M20 x 1.5
- J = Actuator unit with door-handle G1
- K = Emergency exit P1
- SZ = Lockout tag (optional, ordering suffix -SZ)

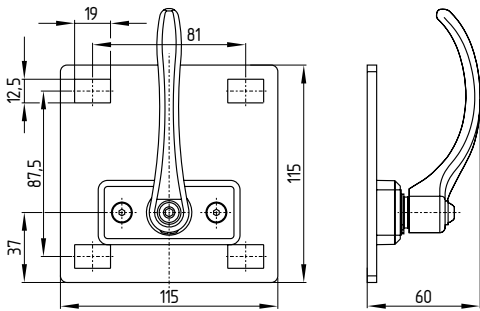
Instead of the door handle G1 a rotating knob G2 can be optionally be used.

Rotating knob G2

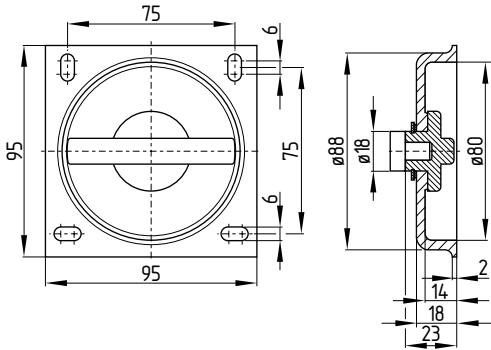


Instead of the emergency exit P1 the following emergency exits can be used for outdoor assembly.

Emergency exit (metal) P20



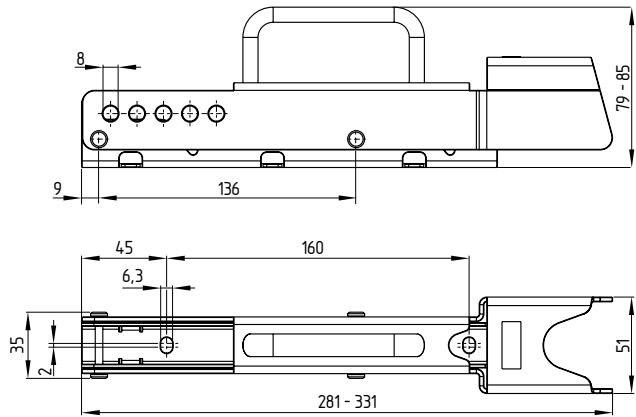
Emergency exit inset handle P25



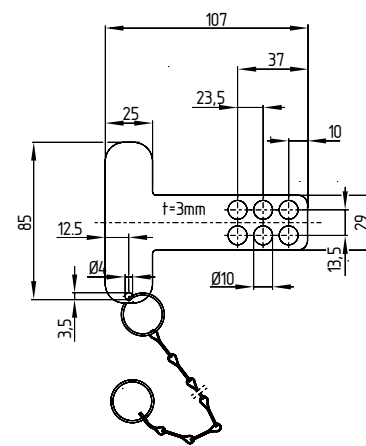
Accessories

The lockout tags SZ 200 and SZ 200-1 are optional as additional lockout tags for indoor and outdoor assembly are available.

Lockout tag SZ 200



Lockout tag SZ 200-1



3.4 Sequence of the steps

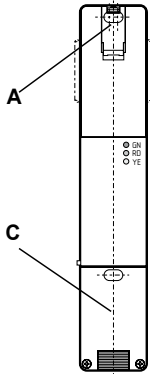
The following work instructions are valid for both indoor and outdoor assembly. If there are any differences with the versions these are indicated with notes or additional sketches.

Step 1

To free mounting holes unscrew the cover C for the wiring compartment and open flap A for the manual release.

To be observed:

- For **exterior installation**: Actuation of manual release (beneath flap) with triangular key (included in delivery)
- For **interior installation**: Actuation of manual release using triangular key (included in delivery) on back



Step 2

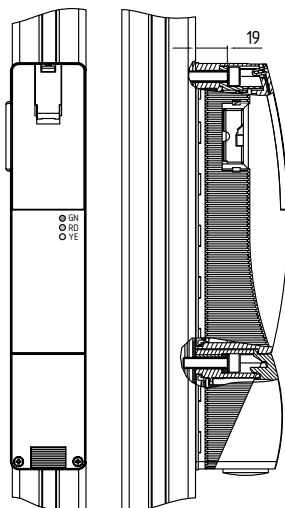
Enclosure of safety switchgear AZ/AZM 200 and AZ/AZM201 mounted flush with doorpost.

- For **mounting inside**: An additional access hole **Z** $\geq \text{Ø}10$ mm is necessary for the manual release to allow external access.

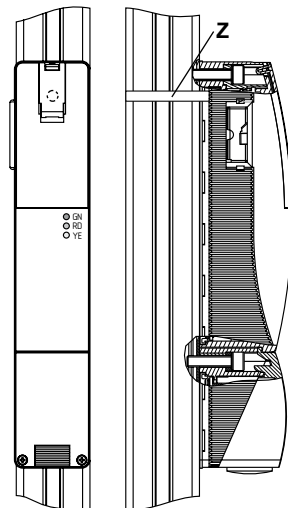
To be observed:

- Screws DIN 912-M6
- Max. tightening torque for safety switchgear = 8 Nm, cover screw = 0.7...1 Nm (Torx T10)
- Wall thickness of the device 19 mm
- Washers DIN 125-6.4 (included in delivery)
- For applications with strong vibrations, please observe the screws are correctly secured.

Mounting outside

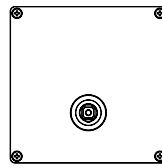


Mounting inside



Step 3

- For **mounting outside**: Unscrew the cover of the actuator unit
- For **mounting inside**: Unscrew the cover of the emergency exit P1

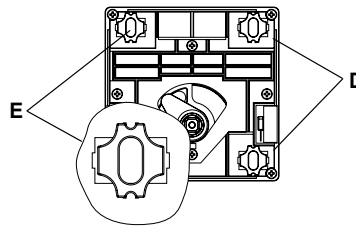


Step 4

Insert sliding blocks (included in delivery with actuator unit AZ/AZM) as shown.

To be observed:

- Observe the alignment (notch) of the sliding blocks
- E = Left hinged door
- D = Right hinged door

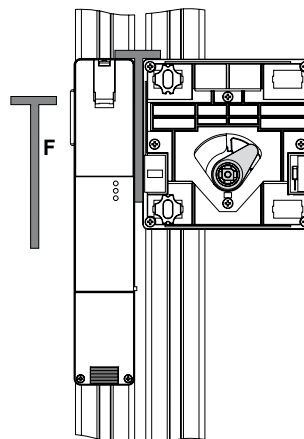


Step 5

- For **mounting outside**: Fit the actuator unit to the doorpost by means of the spacer **F**: (7,5 mm)
- For **mounting inside**: Fit the emergency exit P1 to the doorpost by means of the spacer **F**: (7,5 mm)

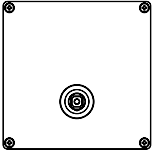
To be observed:

- Actuator unit or emergency exit completely retracted
- Distance between solenoid interlock and actuator unit or emergency exit = 7.5 +0.5/-2.5 mm
- Screws DIN 912-M6
- Torque MA = 8 Nm
- Wall thickness of the device 8 mm (see step 11)
- Washers DIN 125-6.4 (included in delivery)
- For applications with strong vibrations, please observe a proper securing of the screws



Step 6

- For **mounting outside**: Mount the cover on the actuator unit
- For **mounting inside**: Mount the cover on the emergency exit P1
- To be observed:**
- Actuator unit or emergency exit completely retracted



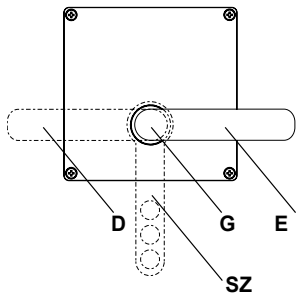
Step 7

- For **mounting outside**: Fit the door-handle
- For **mounting inside**: Fit the emergency exit handle
- To be observed:**
- Mount the door handle or emergency release P1 horizontally
- **D** = for left hinged doors
- **E** = for right hinged door
- **G** = Hexagonal screw A/F 3 with screw-lock (included in delivery)
- For outdoor installation without emergency exit continue to paragraph 17

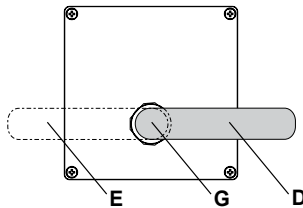


Sticker included in delivery of lockout tag.

Mounting outside



Mounting inside



Step 8

If an emergency exit is available, cut square tube **H** at length. De-burr the cut sides.

To be observed:

- Max. door leaf thickness **S** = 170 mm
- Length of sawn off square rod **H**

Mounting outside

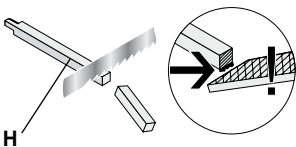
- P1: $L = S + 22 - 2 \text{ mm}$
- P20: $L = S + 28 \text{ mm}$
- P25: $L = S + 24 \text{ mm}$
- P30/P31: $L = S + 50 \text{ mm}$

Mounting inside

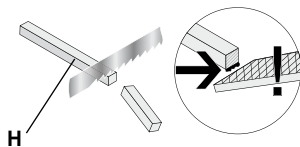
- P1: $L = S + 22 - 2 \text{ mm}$

- Through-hole for square tube **H** $\varnothing 16 \text{ mm}$

Mounting outside



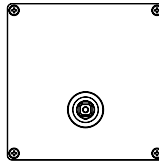
Mounting inside



- For mounting outside and assembly with emergency exit P20 continue from paragraph 14
- emergency exit P25 continue from paragraph 15
- locking linkage P30 or P31 continue from paragraph 16

Step 9

- For **mounting outside**: Unscrew the cover of the emergency exit P1
- For **mounting inside**: Unscrew the cover of the actuator unit

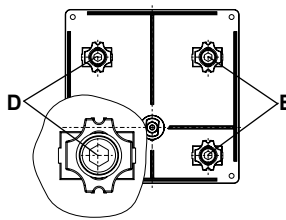


Step 10

Insert sliding blocks as shown (included in delivery)

To be observed:

- Observe the alignment (notch) of the sliding blocks
- **D** = for left hinged door
- **E** = for right hinged door



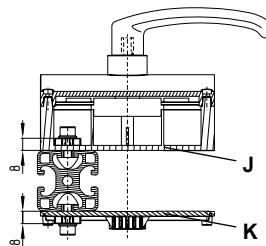
Step 11

- For **mounting outside**: Fit the bottom plate of the emergency exit **P1** to the door
- For **mounting inside**: Fit the bottom plate of the actuator unit to the door

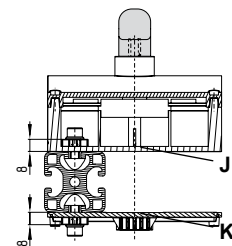
To be observed:

- Actuator completely in **J** (actuator unit or emergency exit unit) retracted
- Arrange both the emergency exit and the actuator unit parallel
- Screws DIN 912-M6
- Torque MA = 8 Nm
- Wall thickness of the device 8 mm
- Washers $\varnothing 6.4 \text{ DIN } 125$ (included in delivery)
- For applications with strong vibrations, please ensure the screws are correctly secured.

Mounting outside



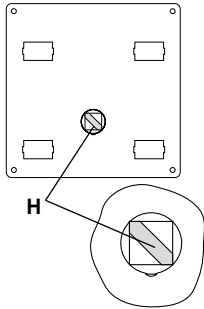
Mounting inside



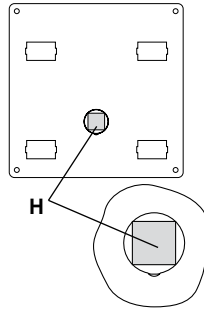
Step 12

- For **mounting outside**: Insert square rod **H** in the backside of the actuator unit
 - For **mounting inside**: Insert square rod **H** in the backside of the emergency exit P1
- To be observed:**
- For **mounting outside**: Insert chamfer of square into emergency exit or insert cut side of square into actuator unit. Position of the chamfer as shown, when actuator unit is actuated.

Mounting outside



Mounting inside



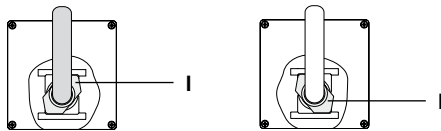
Step 13

- For **mounting outside**: Fit the cover and the handle onto the emergency exit
 - For **mounting inside**: Fit the cover and the handle onto the actuator unit
- To be observed:**
- Position of the driving shaft **I** as shown, when actuator unit is actuated
 - Functional test of the emergency exit handle: it should be possible to open the safety guard inside the hazardous area; it should not be possible to lock the safety guard from inside. The emergency exit handle must be in upright position when closed.
 - After successful assembly continue from paragraph 17

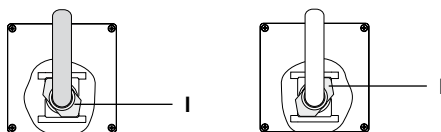
Mounting outside

Mounting inside

For left hinged door



For right hinged door



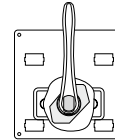
Step 14 - Mounting emergency exit P20

Only for mounting outside!

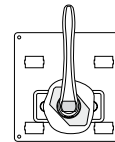
Fit emergency exit P20 to the door.

To be observed:

- Observe the position of the slotted hole
- Actuator completely inserted into the actuator unit **J**
- Emergency exit P20 parallel to actuator unit **J**
- Screws DIN 912-M6
- Torque MA = 8 Nm
- Wall thickness of the device 8 mm
- Washers Ø 6.4 DIN 125 (included in delivery)
- For applications with strong vibrations, please observe a proper securing of the screws
- After the assembly of the emergency exit P20, proceed with step 17



For left hinged door



For right hinged door

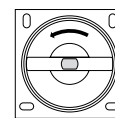
Step 15 - Mounting emergency exit P25

Only for mounting outside!

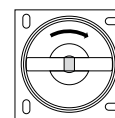
Fit emergency exit P25 to the door.

To be observed:

- Observe the position of the slotted hole
- Actuator completely inserted into the actuator unit **J**
- Emergency exit P25 parallel to actuator unit **J**
- Screws DIN 912-M6
- Torque MA = 8 Nm
- Wall thickness of the device 8 mm
- For applications with strong vibrations, please observe a proper securing of the screws
- After the assembly of the emergency exit P25, proceed with step 17



For left hinged door



For right hinged door

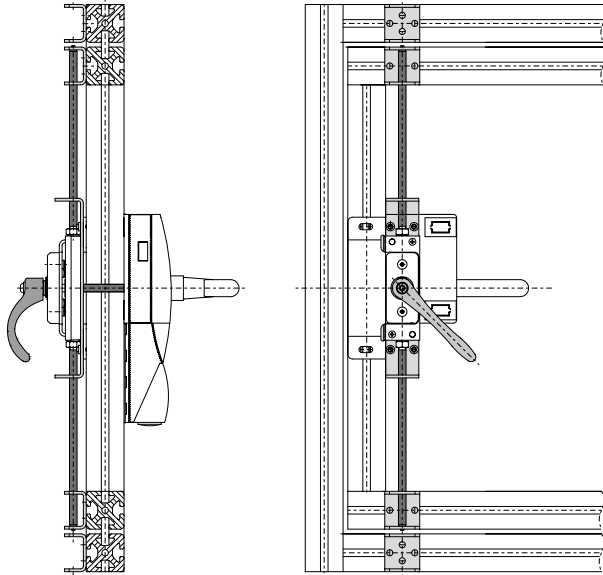
Step 16 - Mounting of the P30 or P31 locking rod

Only for mounting outside!

Fit the locking rod without emergency exit P30 either with emergency exit P31.

To be observed:

- See operating instructions AZ/AZM 200-B30-P30/P31 and AZ/AZM201-B30-P30/P31

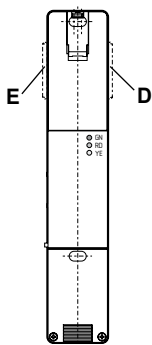


Step 17

Clip the dust-proof flap in the unused side.

To be observed:

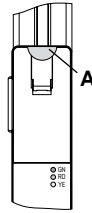
- D = for left hinged door
- E = for right hinged door



Step 18


After being put into operation, the manual release must be secured by installing the seal, which is included in delivery.

- For **mounting outside**: Seal the cover of the manual release **A**
- For **mounting inside**: Secure the access hole for the auxiliary release **A** with a seal



4. Appendix

4.1 Set-up checklist



Checklist

Set-up and maintenance

Checking safety door handle system AZ/AZM 200 and AZ/AZM 201
 Within the scope of commissioning and regular maintenance of the machine, the following items of the safety door-handle system, consisting of AZM 200 or AZ/AZM 201, the corresponding actuator unit and the emergency exit must be checked and inspected by a specialist:

1. Fixation:
 All fixing screws installed and tightened with the specified torque

2. Distance:
 Distance 7.5 +0.5/-2.5 mm between safety switchgear AZ/AZM 200 or AZ/AZM201 and actuator unit must be adhered to.

3. Emergency exit handle:
 After locking, the correct closing of the door must be checked.
 It should be possible to open the safety guard inside the hazardous area;
 it should not be possible to lock the safety guard from inside
 It should be possible to open the safety guard inside the hazardous area; it should not be possible to lock the safety guard from inside. The emergency exit handle must be in the upright position when closed.

4. Sticker emergency exit handle (included in delivery):
 The sticker is visibly attached.

5. Dust shield cap:
 Check tight fitting of the dust-proof flap

6. Functional testing:
 The enabling signal is only transmitted to the safety circuit,
 if the actuator is within range of the solenoid interlock and locked.

LED	STATUS
green	Operating voltage
yellow	Actuator inserted (and locked for AZM 200 or AZM201)
flashes yellow	Actuator inserted and not locked (only for AZM 200 or AZM 201)
red	Error

7. Cover for manual release:
 Access cover or access hole is sealed (only for AZM 200 or AZM 201).

 Date / Signature:



K. A. Schmersal GmbH & Co. KG
Möddinghofe 30, D - 42279 Wuppertal
Postfach 24 02 63, D - 42232 Wuppertal

Phone: +49 - (0)2 02 - 64 74 - 0
Telefax: +49 - (0)2 02 - 64 74 - 1 00
E-Mail: info@schmersal.com
Internet: <http://www.schmersal.com>

X-ON Electronics

Largest Supplier of Electrical and Electronic Components

Click to view similar products for [Emergency Stop Switches / E-Stop Switches](#) category:

Click to view products by [Schmersal](#) manufacturer:

Other Similar products are found below :

[84-6830.0020](#) [AVN302N-R](#) [3050.1302Y](#) [44-710](#) [84-6841.2B20](#) [ZA2BV05](#) [951FY000-WO](#) [ER6022-022N](#) [952+2000-00](#) [ES3S51653001](#)
[601+0000-OP](#) [E100-A2A22S05A](#) [XCSEA802](#) [XCSB502](#) [2TLA030051R0100](#) [D2D 1009M](#) [D2D 1013H](#) [AZM 170SK-02ZRKA](#) [24VAC/DC](#)
[84-5141-2B40](#) [84-6820.0020A](#) [84-6820.0040](#) [XY2CH13250H29](#) [XCSDMR590L01M12](#) [XCSTA892](#) [XCSMP80L5](#) [FB1W-HW1B-M220B](#)
[FB1W-HW1B-X401R](#) [84-5221.2B20](#) [AYD311NUS](#) [AZM KEY \(M5\)](#) [AZ 17/170-B15](#) [AZM 161SK-12/12RKA-110/230](#) [AZM 415-](#)
[11/11ZPK 24VAC/DC](#) [AZM 415-11/11ZPKA 24VAC/DC](#) [AZM 161-B1S](#) [AZ 15/16-B1-2245](#) [AZ 17/170-B11](#) [AZ 17-11ZI B5](#) [BNS 40S-12Z](#)
[10,0M](#) [AZ 16-02ZVRK-ST](#) [AZ/AZM 415-B2](#) [AZ/AZM 415-B3](#) [MZM 100-B1.1](#) [A-K8P-M12-S-G-5M-BK-2-X-A-4-69](#) [A-K8P-M12-S-G-](#)
[10M-BK-2-X-A-4-69](#) [A-K5P-M12-S-G-10M-BK-2-X-A-4-69](#) [A-K4P-M12-S-G-2M-BK-2-X-A-4-69](#) [SK-BETÄTIGER M3](#) [SK-BET.M4 KPL.](#)
[M.KAP.](#) [BETÄTIGER A1 KPL.](#)