



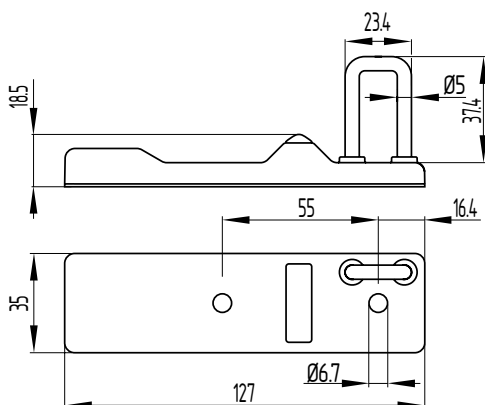
EN Operating instructions. . . . . page 1  
Original

**Destination and use**

The actuator AZ/AZM300-B1 is not designed to be combined with the basic component of the EX-AZ/AZM300 series.

**Dimensions**

All measurements in mm.



**General mounting instructions**

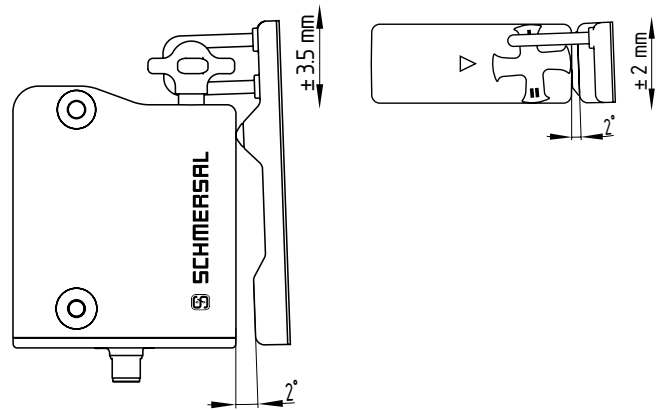
Please observe the relevant requirements of the standards ISO 12100, ISO 14119 and ISO 14120.

To secure the solenoid interlock and the actuator, two securing holes for M6 bolts are provided in each case (tightening torque of securing bolts: 6 ... 7 Nm respectively). We recommend using washers for the mounting of the actuator.

The safety component and the actuator must be permanently fitted to the safety guards and protected against displacement by suitable measures (tamperproof screws, gluing, drilling, pinning).

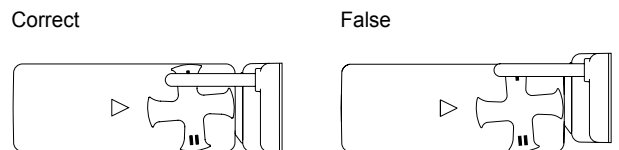
Any mounting position. The system must only be operated with an angle of  $\leq 2^\circ$  between the safety component and the actuator.

**Axial and horizontal misalignment**



Provide for a sufficient insertion of the actuator into the rotary handle.

**Schematic diagram of installation situation**



The solenoid interlock can be used as an end stop. Dependant upon the door weight and the actuating speed, the mechanical life could be reduced.

**K. A. Schmersal GmbH & Co. KG**  
Mödinghofe 30, D - 42279 Wuppertal  
Postfach 24 02 63, D - 42232 Wuppertal

Phone: +49 - (0)2 02 - 64 74 - 0  
Telefax: +49 - (0)2 02 - 64 74 - 1 00  
E-Mail: info@schmersal.com  
Internet: http://www.schmersal.com



## X-ON Electronics

Largest Supplier of Electrical and Electronic Components

*Click to view similar products for [Emergency Stop Switches / E-Stop Switches](#) category:*

*Click to view products by [Schmersal](#) manufacturer:*

Other Similar products are found below :

[84-5021.2B40](#) [84-6830.0020](#) [A01ESSP8](#) [A22EL-M-24A-11B](#) [AVN302N-R](#) [A165E-S-01\(STOP\)](#) [AYLD2212602SN-R-TK962](#)  
[AVLD39911N-R-24V](#) [A22Z-EG22](#) [A165E-SY](#) [3100.0110Y](#) [3050.1302Y](#) [3SE2243-0XX40](#) [3SK1111-2AB30](#) [3SK1211-1BB40](#) [44-710](#) [84-](#)  
[6841.2B20](#) [84-6830.0040](#) [H3141AAKAA](#) [A165E-R-24D-01](#) [E3102AAAAB](#) [A22E-M-03](#) [ZA2BV05](#) [A22EL-M-T2-01](#) [951FY000-WO](#)  
[ER6022-022N](#) [952+2000-00](#) [ES3S51653](#) [601+0000-OP](#) [E3101AAAAB](#) [84-5130.0040](#) [CS AR-05V024](#) [CS AR-20V024](#) [CS AR-22V024](#) [DS](#)  
[AE1VA](#) [DS KB2A](#) [DS KB3A](#) [HE2G-21SHE-L-K](#) [HE6B-M211Y](#) [774191](#) [774316](#) [777760](#) [R1.100.0129.0 SMA0129- NO/NO](#)  
[R1.188.0640.0 SNV 4063KL-A](#) [R1.188.1810.0 SNA 4043K-A](#) [R1.188.1840.0 SNA 4043K-A](#) [SR BD40ALK-B02F](#) [AVLW39911D-R-120V](#)  
[AYD311NUG](#) [AVLD32211DNUR](#)