



EN Operating instructions.pages 1 to 6
Original

Content

1 About this document

1.1 Function 1

1.2 Target group: authorised qualified personnel. 1

1.3 Explanation of the symbols used 1

1.4 Appropriate use 1

1.5 General safety instructions 1

1.6 Warning about misuse 1

1.7 Exclusion of liability 2

2 Product description

2.1 Ordering code 2

2.2 Special versions. 2

2.3 Purpose 2

2.4 Technical data 2

2.5 Safety classification of the interlocking function. 3

2.6 Safety classification of the guard locking function 3

3 Mounting

3.1 General mounting instructions 4

3.2 Dimensions 4

4 Electrical connection

4.1 General information for electrical connection. 4

4.2 Contact variants 5

5 Set-up and maintenance

5.1 Functional testing. 5

5.2 Maintenance 5

6 Disassembly and disposal

6.1 Disassembly. 5

6.2 Disposal 5

7 EU declaration of conformity

1. About this document

1.1 Function

This operating instructions manual provides all the information you need for the mounting, set-up and commissioning to ensure the safe operation and disassembly of the safety switchgear. The operating instructions must be available in a legible condition and a complete version in the vicinity of the device.

1.2 Target group: authorised qualified personnel

All operations described in this operating instructions manual must be carried out by trained specialist personnel, authorised by the plant operator only.

Please make sure that you have read and understood these operating instructions and that you know all applicable legislations regarding occupational safety and accident prevention prior to installation and putting the component into operation.

The machine builder must carefully select the harmonised standards to be complied with as well as other technical specifications for the selection, mounting and integration of the components.

1.3 Explanation of the symbols used



Information, hint, note:

This symbol is used for identifying useful additional information.



Caution: Failure to comply with this warning notice could lead to failures or malfunctions.

Warning: Failure to comply with this warning notice could lead to physical injury and/or damage to the machine.

1.4 Appropriate use

The products described in these operating instructions are developed to execute safety-related functions as part of an entire plant or machine. It is the responsibility of the manufacturer of a machine or plant to ensure the correct functionality of the entire machine or plant.

The safety switchgear must be exclusively used in accordance with the versions listed below or for the applications authorised by the manufacturer. Detailed information regarding the range of applications can be found in the chapter "Product description".

1.5 General safety instructions

The user must observe the safety instructions in this operating instructions manual, the country specific installation standards as well as all prevailing safety regulations and accident prevention rules.



Further technical information can be found in the Schmersal catalogues or in the online catalogue on the Internet: www.schmersal.net.

The information contained in this operating instructions manual is provided without liability and is subject to technical modifications. There are no residual risks, provided that the safety instructions as well as the instructions regarding mounting, commissioning, operation and maintenance are observed.

1.6 Warning about misuse



In case of improper use or manipulation of the safety switchgear, personal hazards or damages to machinery or plant components cannot be excluded. The relevant requirements of the standard ISO 14119 must be observed.

1.7 Exclusion of liability

We shall accept no liability for damages and malfunctions resulting from defective mounting or failure to comply with this operating instructions manual. The manufacturer shall accept no liability for damages resulting from the use of unauthorised spare parts or accessories.

For safety reasons, invasive work on the device as well as arbitrary repairs, conversions and modifications to the device are strictly forbidden; the manufacturer shall accept no liability for damages resulting from such invasive work, arbitrary repairs, conversions and/or modifications to the device.

2. Product description

2.1 Ordering code

This operating instructions manual applies to the following types:

AZM 170^①-**2Z**^②**3K**^④-**5-6-7**

| No. | Option | Description |
|-----|-----------|------------------------------------------------------------------------------------|
| ① | SK | Cut clamps |
| | | Screw terminals |
| ② | 11 | 1 NO / 1 NC |
| | 02 | 2 NC |
| ③ | | Latching force 5 N |
| | R | Latching force 30 N |
| ④ | | Power to unlock |
| | A | Power to lock |
| ⑤ | | Cable gland |
| | ST | M12 x 1 connector |
| | ST-2431 | M12 connector, separated magnet monitoring |
| ⑥ | 24 VAC/DC | U _s 24 VAC / DC |
| | 110 VAC | U _s 110 VAC |
| | 230 VAC | U _s 230 VAC |
| ⑦ | 1637 | gold-plated contacts |
| ⑧ | | Manual release |
| | 2197 | from side Manual release (default in the connector and power-to-unlock version) |
| | 2405 | Emergency exit |



Only if the information described in this operating instructions manual are realised correctly, the safety function and therefore the compliance with the Machinery Directive is maintained.

2.2 Special versions

For special versions, which are not listed in the order code below 2.1, these specifications apply accordingly, provided that they correspond to the standard version.

2.3 Purpose

The solenoid interlock has been designed to prevent in conjunction with the control part of a machine, movable safety guards from being opened before hazardous conditions have been eliminated.



The safety switchgears are classified according to ISO 14119 as type 2 interlocking devices.

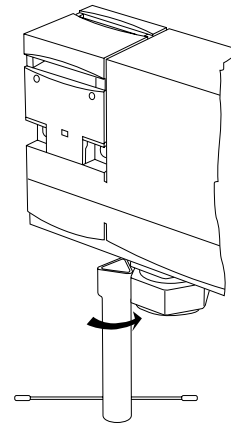


Interlocks with power to lock principle may only be used in special cases after a thorough evaluation of the accident risk, since the safety guard can be opened immediately on failure of the power supply or upon activation of the main switch.

Manual release

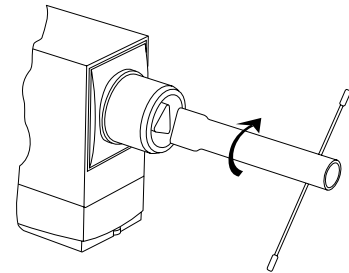
A manual release is available as a mounting tool and in the event of a power failure in case the power to unlock principle is used. If the triangular key is turned 180°, the locking bolt is pulled into the unlocking position. Please ensure that jamming by external influence on the actuator is avoided. The normal locking function is only restored after the triangular key has been returned to its original position. After being put into operation, the manual release must be secured by installing the sealing plug, which is included in delivery.

Manual release



Manual release from side

Ordering suffix -2197 or ST



Triangular key TK-M5 (101100887) available as accessory.

Emergency exit

Fitting and actuation only from within the hazardous area.

To activate the emergency exit, turn the red lever in the direction of the arrow to the end stop. Please ensure that jamming by external influence on the actuator is avoided.



The user must evaluate and design the safety chain in accordance with the relevant standards and the required safety level.



The entire concept of the control system, in which the safety component is integrated, must be validated to the relevant standards.

2.4 Technical data

| | |
|--------------------------------------|--------------------------------------------------------------------------------------------------------------|
| Standards: | IEC 60947-5-1, ISO 14119 |
| Enclosure: | glass-fibre reinforced thermoplastic, self-extinguishing |
| Actuator and locking bolt: | stainless steel 1.4301 |
| Holding force F: | 1,000 N |
| Latching force: | 5 N |
| - Ordering suffix R: | 30 N |
| Coding level according to ISO 14119: | low |
| Protection class: | IP67 |
| Contact material: | Silver |
| Contact type: | change-over contact with double break, type Zb or 2 NC contacts, with galvanically separated contact bridges |
| Switching system: | ⊖ IEC 60947-5-1; slow action, NC contact with positive break |
| Cable entry: | M20 x 1.5 |
| Connection: | Cut clamps, screw terminals or M12 connector |
| Cable type: | flexible |
| Cable section: | |
| - Cut clamps: | 0.75...1.0 mm ² |
| - Screw terminals: | 0.25...1.5 mm ² |
| | (incl. insulated conductor ferrules) |

| | |
|------------------------|----------------------------------|
| Actuating speed: | max. 2 m/s |
| Actuating frequency: | max. 1000 operations/h |
| Positive break travel: | 11 mm |
| Positive break force: | 8.5 N for each NC contact fitted |
| Mechanical life: | > 1 million operations |
| Ambient temperature: | -25 °C ... +60 °C |

| | |
|---------------------------------------------|-------------------------------------------------------------------------|
| Electrical data: | |
| Utilisation category: | AC-15, DC-13 |
| Rated operating current/voltage I_e/U_e : | |
| - Cut clamps, Screw terminals: | 4 A / 230 VAC 2.5 A / 24 VDC |
| - Connector 4-pole: | 4 A / 230 VAC 4 A / 24 VDC |
| - Connector 8-pole: | 2 A / 24 VDC |
| Rated impulse withstand voltage U_{imp} : | |
| - Cut clamps, Screw terminals: | 4 kV |
| - Connector 4-pole: | 2.5 kV |
| - Connector 8-pole: | 0.8 kV |
| Rated insulation voltage U_i : | |
| - Cut clamps, Screw terminals: | 250 V |
| - Connector 4-pole: | 250 V |
| - Connector 8-pole: | 60 V |
| Thermal test current I_{the} : | |
| - Cut clamps, Screw terminals: | 6 A |
| - Connector 4-pole: | 4 A |
| - Connector 8-pole: | 2 A |
| Max. fuse rating: | |
| - Cut clamps, Screw terminals: | 6 A gG D-fuse |
| - Connector 4-pole: | 4 A gG D-fuse |
| - Connector 8-pole: | 2 A gG D-fuse |
| Required rated short-circuit current: | 1,000 A |
| Rated control voltage U_s : | 24 VDC 24 VAC / 50/60 Hz 110 VAC / 50/60 Hz 230 VAC / 50/60 Hz |

| | |
|-----------------------------------------------|-----------|
| Electrical data – Magnet control: | |
| Magnet switch-on time: | 100 % |
| Power consumption: | max. 12 W |
| Accepted test pulse duration on input signal: | ≤ 5.0 ms |
| - With test pulse interval of: | ≥ 50 ms |

2.5 Safety classification of the interlocking function

| | |
|--------------------------------------------------------|---------------------------------------------------------|
| Standards: | ISO 13849-1 |
| Envisaged structure: | |
| - Basically: | applicable up to Cat. 1 / PL c |
| - With 2-channel usage and fault exclusion mechanism*: | applicable up to Cat. 3 / PL d with suitable logic unit |
| B_{10D} NC contact: | 2,000,000 |
| B_{10D} NO contact at 10% ohmic contact load: | 1,000,000 |
| Mission time: | 20 years |

* If a fault exclusion to the 1-channel mechanics is authorised.

$$MTTF_D = \frac{B_{10D}}{0,1 \times n_{op}} \quad n_{op} = \frac{d_{op} \times h_{op} \times 3600 \text{ s/h}}{t_{cycle}}$$

(Determined values can vary depending on the application-specific parameters h_{op} , d_{op} and t_{cycle} as well as the load.)

If multiple safety components are wired in series, the Performance Level to ISO 13849-1 will be reduced due to the restricted error detection under certain circumstances.

2.6 Safety classification of the guard locking function

If the device is used as an interlock for personal safety, a safety classification of the guard locking function is required.

When classifying the guard locking function, a distinction must be made between monitoring of the interlocking function and control of the release function.

The following classification of the release function is based on the principle of isolating the supply of power to the solenoid.

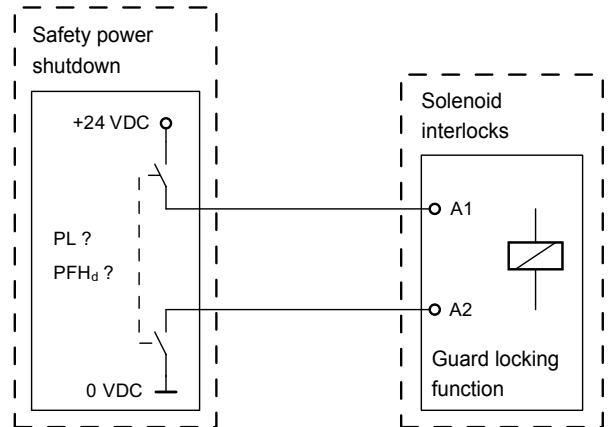


The classification of the release function is only valid for devices with monitored guard locking function and in the power to unlock version (see ordering code).

By reliably isolating the power externally, it can be assumed that no errors can occur with regard to the locking device of the interlock.

In that case, the locking device of the interlock does not contribute towards the failure probability of the release function.

The level of safety of the release function relies, therefore, exclusively on reliable external deactivation of the power.



Fault exclusion with regard to wiring routing must be observed.



If for a certain application the power to unlock version of a solenoid interlock cannot be used, for this exception an interlock with power to lock can be used if additional safety measure need to be realised that have an equivalent safety level.

3. Mounting

3.1 General mounting instructions

Two mounting holes are provided for fixing the enclosure. The solenoid interlock is double insulated. The use of an earth wire is not authorised. The solenoid interlock must not be used as an end stop. Any mounting position. The mounting position must be chosen so as to avoid the penetration of dirt in the used holes. The unused opening must be sealed by means of slot sealing plugs. Tightening force for the Torx T10 cover screws 0.7 ... 1 Nm.



Please observe the relevant requirements of the standards ISO 12100, ISO 14119 and ISO 14120.

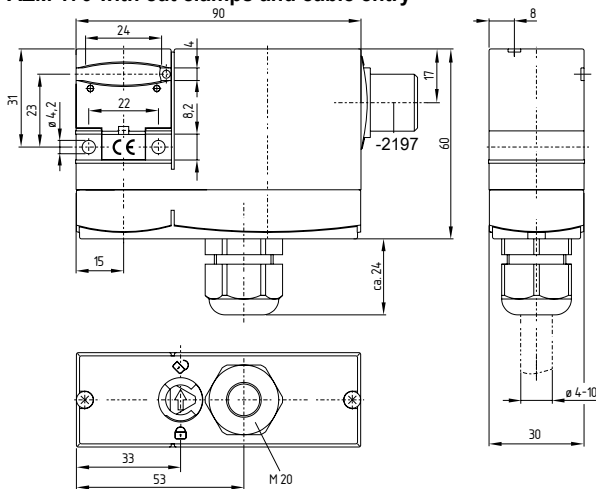


The actuator must be permanently fitted to the safety guards and protected against displacement by suitable measures (tamperproof screws, gluing, drilling of the screw heads).

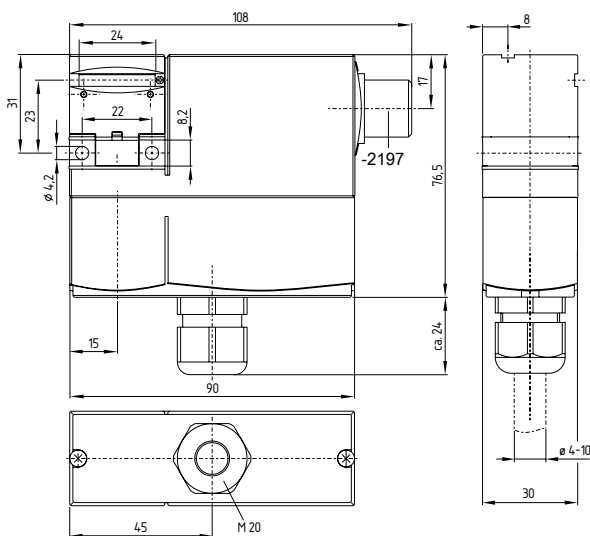
3.2 Dimensions

All measurements in mm.

AZM 170 with cut clamps and cable entry

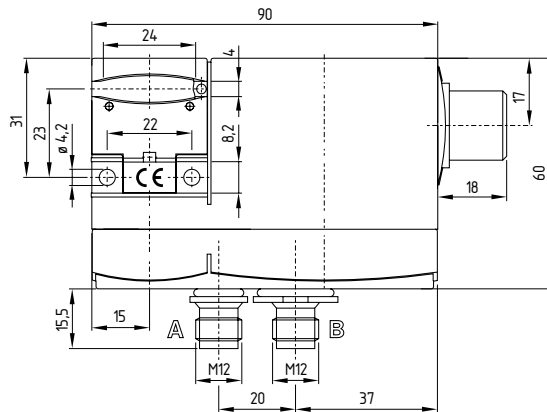


AZM 170SK with screw terminals and cable entry



KEY: Manual release from side, ordering suffix -2197

AZM 170...-ST with connector, A- or B-coding



4. Electrical connection

4.1 General information for electrical connection



The electrical connection may only be carried out by authorised personnel in a de-energised condition.



If the risk analysis indicates the use of a monitored interlock they are to be connected in the safety circuit with the contacts indicated with the symbol

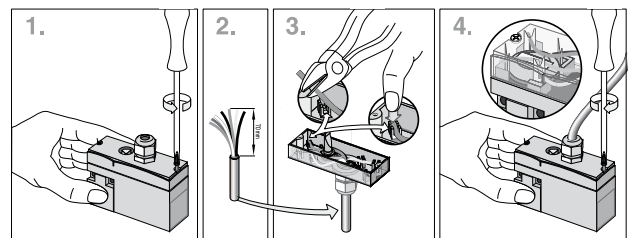
For the cable entry, suitable cable glands with an appropriate degree of protection must be used.



Information for the selection of suitable safety-monitoring modules can be found in the Schmersal catalogues or in the online catalogue on our website: www.schmersal.net.

IDC method of termination

The IDC method of termination (cut clamp technology) enables connecting flexible wires with cable section 0.75 ... 1 mm² without using conductor ferrules. To this effect, strip the wire according to the drawing (refer to the wiring example) and insert it into the cable gland, close the cable gland, push the conductors in the groove of the cover (refer to wiring example) and screw the cover back. Observe that the individual conductors remain in position to avoid jamming.



Screw terminals (SK version)

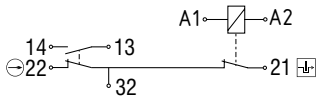
Unscrew the cover of the enclosure. Connect the cables to the terminal block. Use insulated conductor ferrules to that effect. Screw the cover back on the enclosure.

4.2 Contact variants

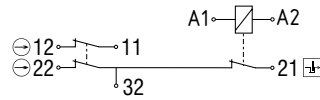
Contacts shown in a de-energised condition and with the actuator inserted.

Power to unlock

1 NO / 1 NC

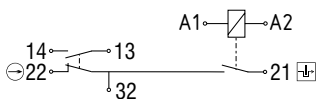


2 NC

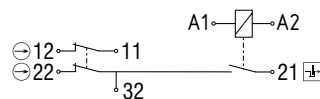


Power to lock

1 NO / 1 NC

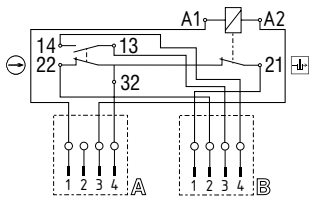


2 NC

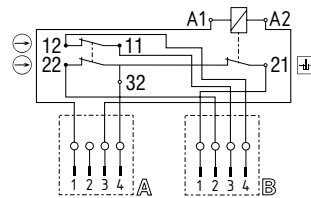


Power to unlock connector

1 NO / 1 NC

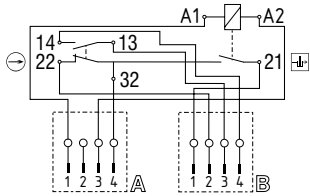


2 NC

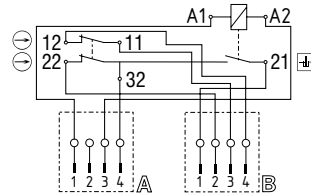


Power to lock connector

1 NO / 1 NC



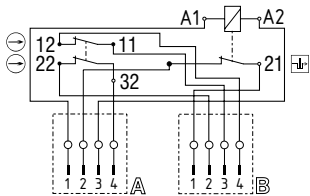
2 NC



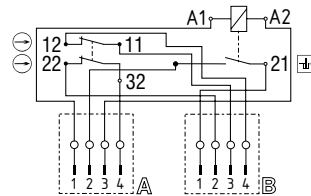
Ordering suffix -ST-2431

separated magnetic force monitoring, 2 NC contacts

Power to unlock



Power to lock



Key

⊖ Positive break NC contact

⊕ Monitoring the interlock according to ISO 14119

5. Set-up and maintenance

5.1 Functional testing

The safety function of the safety components must be tested. The following conditions must be previously checked and met:

1. Fitting of the solenoid interlock and the actuator
2. Check the integrity of the cable entry and connections
3. Check the switch enclosure for damage

5.2 Maintenance

A regular visual inspection and functional test, including the following steps, is recommended:

1. Check for tight installation of the actuator and the switch
2. Remove particles of dust and soiling
3. Check cable entry and connections



Adequate measures must be taken to ensure protection against tampering either to prevent tampering of the safety guard, for instance by means of replacement actuators.

Damaged or defective components must be replaced.

6. Disassembly and disposal


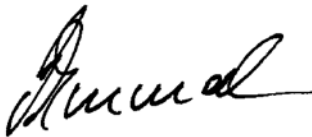
6.1 Disassembly

The safety switchgear must be disassembled in a de-energised condition only.

6.2 Disposal

The safety switchgear must be disposed of in an appropriate manner in accordance with the national prescriptions and legislations.

7. EU declaration of conformity

| EU declaration of conformity | |  | |
|------------------------------------------------------------------------------------------------------------------------------------------------------|-------------------------------------------------------------------------------------------------------------|------------------------------------------------------------------------------------|----------------|
| Original | K.A. Schmersal GmbH & Co. KG Möddinghofe 30 42279 Wuppertal Germany Internet: www.schmersal.com | | |
| We hereby certify that the hereafter described components both in their basic design and construction conform to the applicable European Directives. | | | |
| Name of the component: | AZM 170 | | |
| Type: | See ordering code | | |
| Description of the component: | Interlocking device with electromagnetic interlock for safety functions | | |
| Relevant Directives: | | Valid up to | Valid as of |
| | | April 19, 2016 | April 20, 2016 |
| | Machinery Directive | 2006/42/EC | 2006/42/EC |
| | EMC-Directive | 2004/108/EC | 2014/30/EU |
| | RoHS-Directive | 2011/65/EU | 2011/65/EU |
| Applied standards: | DIN EN 60947-5-1:2010 DIN EN ISO 14119:2014 | | |
| Person authorised for the compilation of the technical documentation: | Oliver Wacker Möddinghofe 30 42279 Wuppertal | | |
| Place and date of issue: | Wuppertal, March 7, 2016 | | |
| |  | | |
| | Authorised signature Philip Schmersal Managing Director | | |

AZM170-E-EN



The currently valid declaration of conformity can be downloaded from the internet at www.schmersal.net.



X-ON Electronics

Largest Supplier of Electrical and Electronic Components

Click to view similar products for [Emergency Stop Switches / E-Stop Switches](#) category:

Click to view products by [Schmersal](#) manufacturer:

Other Similar products are found below :

[84-6830.0020](#) [AVN302N-R](#) [3050.1302Y](#) [84-6841.2B20](#) [951FY000-WO](#) [ER6022-022N](#) [952+2000-00](#) [ES3S51653001](#) [601+0000-OP](#)
[XCSB502](#) [2TLA030051R0100](#) [D2D 1009M](#) [D2D 1013H](#) [AZM 170SK-02ZRKA 24VAC/DC](#) [84-6820.0020A](#) [84-6820.0040](#) [FB1W-HW1B-](#)
[M220B](#) [FB1W-HW1B-X401R](#) [84-5221.2B20](#) [AZ 17/170-B15](#) [AZM 161SK-12/12RKA-110/230](#) [AZ 17/170-B11](#) [BNS 40S-12Z 10,0M](#) [AZ](#)
[16-02ZVRK-ST](#) [AZ/AZM201-B30-RTAG1P1-SZ](#) [SK-UV15Z M](#) [W0-63.10.00A](#) [SP22K201-1](#) [SP22K101-1](#) [SP22K105-1](#) [SP22K108-1](#)
[ST22K101-1](#) [ST22K104-1](#) [ST22K105-1](#) [ST22K108-1](#) [ST22K201-1](#) [ST22K302-1](#) [ST22K305-1](#) [XACD21A1241](#) [XACS105](#) [ZB2BY2922](#)
[ZB2BY4913](#) [ZB2BY4919](#) [3004.5246](#) [3031.1306](#) [3050.1303N](#) [30B4.1206](#) [3100.0110N](#) [440A-A17101](#) [440E-A13078](#)