



EN Operating instructions.pages 1 to 8
Original

Content

1 About this document

1.1 Function 1

1.2 Target group: authorised qualified personnel. 1

1.3 Explanation of the symbols used 1

1.4 Appropriate use 1

1.5 General safety instructions 1

1.6 Warning about misuse 1

1.7 Exclusion of liability 2

2 Product description

2.1 Ordering code 2

2.2 Special versions. 3

2.3 Purpose 3

2.4 Technical data 3

3 Mounting

3.1 General mounting instructions for E and N programme. 4

3.2 General mounting instructions for R programme. 5

3.3 Dimensions 5

4 Electrical connection

4.1 General information for electrical connection. 6

4.2 Contact variants of contact system 6

5 Set-up and maintenance

5.1 Functional testing. 6

5.2 Maintenance 6

6 Disassembly and disposal

6.1 Removal of E, N and R programme. 6

6.2 Disposal 6

7 EU Declaration of conformity

1. About this document

1.1 Function

These operating instructions provide all the information required for mounting, set-up and commissioning to ensure the safe operation and disassembly of the safety switchgear. The operating instructions must be available in a legible condition and a complete version in the vicinity of the device.

1.2 Target group: authorised qualified personnel

All operations described in this operating instructions manual must be carried out by trained specialist personnel, authorised by the plant operator only.

Please make sure that you have read and understood these operating instructions and that you know all applicable legislations regarding occupational safety and accident prevention prior to installation and putting the component into operation.

The machine builder must carefully select the harmonised standards to be complied with as well as other technical specifications for the selection, mounting and integration of the components.

1.3 Explanation of the symbols used



Information, hint, note:

This symbol is used for identifying useful additional information.



Caution: Failure to comply with this warning notice could lead to failures or malfunctions.

Warning: Failure to comply with this warning notice could lead to physical injury and/or damage to the machine.

1.4 Appropriate use

The products described here were developed to adopt control and display functions as part of a complete system or machine. It is the responsibility of the manufacturer of a machine or plant to ensure the correct functionality of the entire machine or plant.

The products must be exclusively used in accordance with the versions listed below or for the applications authorised by the manufacturer. Detailed information regarding the range of applications can be found in the chapter "Product description".

1.5 General safety instructions

The user must observe the safety instructions in this operating instructions manual, the country specific installation standards as well as all prevailing safety regulations and accident prevention rules.



Further technical information can be found in the Schmersal catalogues or in the online catalogue on the Internet: www.schmersal.net.

The information contained in this operating instructions manual is provided without liability and is subject to technical modifications.

There are no residual risks, provided that the safety instructions as well as the instructions regarding mounting, commissioning, operation and maintenance are observed.

1.6 Warning about misuse



In case of inadequate or improper use or manipulations of the component, personal hazards or damage to machinery or plant components cannot be excluded. The relevant requirements of the standard ISO 13850 must be observed.

1.7 Exclusion of liability

We shall accept no liability for damages and malfunctions resulting from defective mounting or failure to comply with this operating instructions manual. The manufacturer shall accept no liability for damages resulting from the use of unauthorised spare parts or accessories. For safety reasons, invasive work on the device as well as arbitrary repairs, conversions and modifications to the device are strictly forbidden; the manufacturer shall accept no liability for damages resulting from such invasive work, arbitrary repairs, conversions and/or modifications to the device.

2. Product description

2.1 Ordering code

These operating instructions apply to the following types and programs:

2.1.1 Device heads of the command devices

Basic component	Description
Pushbuttons and the illuminated pushbuttons:	
①DT⑧②	Pushbutton
①DM②	Pushbutton with diaphragm for dust protection
①DL⑧②	Illuminated pushbutton
①DLM②	Illuminated pushbutton with diaphragm for dust protection
Indicator light:	
①ML②	With flat collar
①MLH②	With high collar
Mushroom head impact button:	
①DP③⑧②	without latching
①DTP③⑧②	Without latching (only N programme)
①DLP③⑧②	Illuminated, without latching (only N programme)
①DRR③⑧②	with latching, unlock by turning and pulling (pulling only in N programme)
①DRZ③⑧②	With latching, pull to unlock
Selector switch:	
- with 2 positions:	
①WS21④⑤	2 maintained positions
①WT21④⑤	1 momentary position
- with 3 positions:	
①WS32④⑤	3 maintained positions
①WT32④⑤	2 momentary positions, left and right
①WST32④⑤	switching, latching
①WTS32④⑤	latching, switching
Key-operated selector switch:	
- with 2 positions:	
①SS21S⑦	2 maintained positions
①ST21S⑦	1 momentary position
- with 3 positions:	
①SS32S⑥	3 maintained positions
①ST32S⑥	2 momentary positions, left and right
①SST32S⑥	switching, latching
①STS32S⑥	latching, switching
Blanking plug for command device position:	
NB, MBN, BN	Blanking plug

No.	Option	Description
①	Command and signalling devices:	
	E	"E" program
	N	"N" program
	R	"R" program
②	Colour of button surface:	
	GB	yellow
	RT	red
	GN	green
	WS	white
	BL	blue
	GR	grey
SW	Black (not for illuminating devices)	

No.	Option	Description
③	Head diameter of mushroom head impact button	
	30	30 mm
	35	35 mm
	40	40 mm
	42	42 mm
	45	45 mm
	50	50 mm
	55	55 mm
70	70 mm	
④	Toggle length in mm:	
	Without	Short toggle
	.1	Long toggle
⑤	Colour of toggle	
	Without	grey
	WS	white
⑥	Key-withdrawal position (3 positions):	
	1	Position left
	2	Position middle
	3	Position right
⑦	Key-withdrawal position (2 positions):	
	1	Position left
	2	Position right
⑧	Colour of diaphragm (only N programme):	
	Without	white
	GR/	black
	BL/	blue

2.1.2 Contact elements of EF contact system (for E and N programme)

Basic component	Description
- with screw terminals	
EF①0.③	Contact element NC
EF0②.③	Contact element NO
EF①①0.③	Double contact element 2 NC
EF0②②.③	Double contact element 2 NO
EF①0②.③	Double contact element NC/NO
EF①0②S.③	Double contact element NC/NO contacts with safety spring
- with flat plug-in connector	
EF①0F.③	Contact element NC
EF0②F.③	Contact element NO
EF①①0F.③	Double contact element 2 NC
EF0②②F.③	Double contact element 2 NO
EF①0②F.③	Double contact element NC/NO
EF①0②SF.③	Double contact element NC/NO contacts with safety spring
- with cage clamps	
EFK①0.③	Contact element NC
EFK0②.③	Contact element NO
EFK①①0.③	Double contact element 2 NC
EFK0②②.③	Double contact element 2 NO
EFK①0②.③	Double contact element NC/NO

No.	Option	Description
①	1	Normally-closed contact, with approx. contact travel in mm
	2	
	3	
②	1	Normally-open contact, with approx. contact travel in mm
	2	
	3	
	4	
③	1	Mounting position on mounting flange / terminal ID
	2	
	3	

2.1.3 Contact elements of RF contact system (for R programme)

Basic component	Description
RF①②③	- with screw terminals
RF0②③	Contact element NC
	Contact element NO

No.	Option	Description
①	1	Normally-closed contact, with approx. contact travel in mm
②	3	Normally-open contact, with approx. contact travel in mm
③	Without	Mounting position 1st level / terminal ID
	.1	Mounting position 2nd level / terminal ID

2.1.4 Light elements of EF contact system (for E and N programme)

Basic component	Description
EL①③	Voltage sensor for lamps Ba9S
ELE①③	Voltage sensor for LED Ba9S
ELT③/③	Voltage sender with transformer (primary/secondary)
ELDE.N②③	Light element with screw terminals and integrated LED
ELDEK②③	Light element with cage clamps and integrated LED
ELDE.N-②-②-②-24VDC	3 colour LED module with screw terminals

No.	Option	Description
①	Without	screw terminal
	F	Flat plug-in connector
	K	Cage clamps
②	GB	yellow
	RT	red
	GN	green
	WS	white
	BL	blue
③	6	Voltage 6 V
	without or 24	Voltage 24 V
	48	Voltage 48 V
	230	Voltage 115...230 VAC

2.1.5 Light elements of RF contact system (for R programme)

Basic component	Description
RL	Voltage sensor for lamps Ba9S
RLDEWS24	Light element with screw terminals and integrated white LED

2.2 Special versions

For special versions, which are not listed in the order code below 2.1, these specifications apply accordingly, provided that they correspond to the standard version.

2.3 Purpose

The devices described in these operating instructions are not suitable for emergency stop applications. Emergency stop command devices are described in a separate set of operating instructions.

The devices described here are designed to be mounted in control panels or assembly housings. The command devices are only suitable for processing operation-relevant signals for purposes of machine control.

If sealing elements or dust protection membranes are not closed they could be damaged by cleaning agents and permanent UV exposure.

2.4 Technical data

Command and signalling devices:

General technical data:

Design:	round
Installation diameter:	22.3 mm
Spacing:	40 × 50 mm;
- selector switch, mushroom head	
impact button with latching:	50 × 60 mm
Front plate thickness:	1 ... 6 mm
- with identification label:	1...5 mm
Mounting position:	any
Switching frequency:	1,000/h
Actuating stroke:	4 mm ... 5 mm
Actuating force:	
- Pushbutton:	approx. 1.5 N
- Pushbutton with diaphragm:	approx. 2.0 N
- Illuminated pushbutton:	approx. 1.5 N
- Mushroom head impact button:	approx. 2.0 N
- Key-operated selector switch:	approx. 0.2 N
- Spring-return rotary selector switch/ maintained spring-return rotary selector switch:	approx. 0.2 N
Mechanical life:	
- Push button:	1 x 10 ⁶ switching cycles
- Illuminated push button:	1 x 10 ⁶ switching cycles
- Palm button with detent:	1 x 10 ⁵ switching cycles
- Palm button without detent:	1 x 10 ⁶ switching cycles
- Key selector switch/button/selector switch:	1 x 10 ⁵ switching cycles
- Selector switch/button/ selector switch/key switch:	3 x 10 ⁵ switching cycles
Calotte/collar material:	
- N program:	Plastic
- E and R program:	Glass and plastic
Front ring material:	
- N program:	Plastic chrome-plated
- E and R program:	Aluminium, anodised
Button material:	
- N program:	Plastic
- E and R program:	Aluminium, anodised
Selector switch grip material:	
- N program:	Plastic
- E and R program:	Plastic
Protection class:	
- N programme:	IP67, IP69K
- E and R programme:	IP65
Ambient temperature:	-25°C ... +75°C
- Selector switch, key-operated selector switch:	0°C ... +75°C
Fixing with mounting flange:	ELM, EFM
Max. tightening torque of mounting flange:	0.6 Nm
Shock resistance to IEC 60068-2-27:	< 50 g
Resistance to vibrations to EN 60068-2-6:	5 g
Device designation:	
- Designation labels:	Laser-etched or engraved
- Symbols:	Printed, laser-etched or engraved

Contact/light element:

General technical data:

Standards:	IEC 60947-5-1
Switching frequency:	1200/h
Mechanical life:	10,000,000 operations
Resistance to shock:	30 g / 18 ms
Resistance to vibration:	20 g/10 ... 150 Hz
Switching points:	Depends on contact element used
- NC contact:	approx. 1 mm ... 3 mm
- NO contact:	approx. 2 mm ... 4 mm
Switching system:	Slow action, NC contacts with positive break
Contact types:	with galvanically separated contact bridges
Thermal test current I_{the} :	
- EF contact elements:	10 A
- RF contact elements:	6 A
Max. fuse rating:	
- EF contact elements:	10 A gG
- RF contact elements:	6 A gG
Suitable low voltage:	
- EF contact elements:	5 VDC / 3.2 mA
- RF contact elements:	5 VDC / 1 mA
Utilisation category:	
- EF contact elements:	AC-15: 250 V / 8 A DC-13: 24 V / 5 A
- RF contact elements:	AC-15: 250 V / 6 A DC-13: 24 V / 3 A
Rated insulation voltage U_i :	400 V
Rated impulse withstand voltage U_{imp} :	4 kV
Degree of pollution:	3
Overvoltage category:	III
Climatic resistance to DIN EN 60068:	Part 2-30
Temperature range:	-25 °C ... + 60 °C
Proof of positive opening:	2.5 kV impulse voltage
Positive break travel:	approx. 2 mm after the opening point
Actuating force at end of stroke:	approx. 8 ... 15 N, depending on contact element used
Connection:	Screw terminals Plug-in terminals Clamp terminals
Cable sections:	
- Single core:	2 x (0.5 ... 2.5 mm ²);
- Fine wire with ferrules with protective collars:	2 x (0.5 ... 1.5 mm ²);
- Flat connector:	6.3 mm x 0.8 mm / 2 x 2.8 mm x 0.8 mm
Tightening torque for the connecting screw:	max. 1 Nm
Material:	
- enclosure:	plastic, glass-fibre reinforced thermoplastic, self-extinguishing
- contacts:	fine silver, spring bronze or brass carrier
Protection class:	
- Wiring compartments:	IP40
- Terminals:	IP20
	(with plug-in connector depending on the connector plug used)
Approvals:	cULus (with exception of cage clamps)

3. Mounting

3.1 General mounting instructions for E and N programme

1. Mount control elements and mounting flange by tightening both screws of mounting flange using size 2 cross-point screwdriver (see fig. 1)



When tightening the screws, ensure the mounting flange is screwed on evenly and does not move.

2. Mount contact elements of EF contact system by snapping on in positions 1 to 3 to mounting flange (see Fig. 2). Middle position (pos. 3) is reserved for mounting lighting elements on devices with lights (see fig. 3).



On devices with lights, no plunger segments may be installed in the mounting flange. If using contact and light elements on the mounting flange, the light element must be mounted first and in the middle position (pos. 3).



Contact elements of the EF contact system must be fitted in the second locking position and must, therefore, lie flush on the mounting flange after fitting.

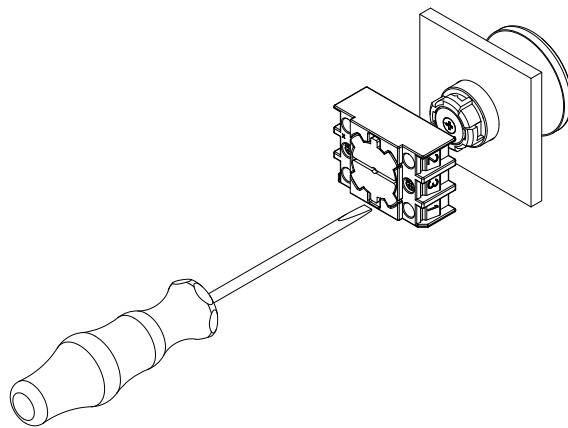


Fig. 1

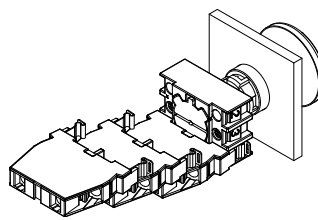


Fig. 2

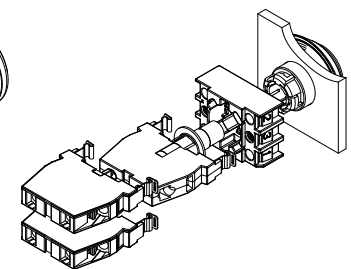


Fig. 3



Only fit onto clean and grease-free surface!

3.2 General mounting instructions for R programme

1. Mount control elements and mounting flange by tightening both screws of mounting flange using size 2 cross-point screwdriver (see section 3.1, Fig. 1)



When tightening the screws, ensure the mounting flange is screwed on evenly and does not move.

2. Mount contact elements of RF contact system by snapping on in positions 1 to 3 to mounting flange (see fig. 4). Middle position (pos. 3) is reserved for mounting lighting elements on devices with lights (see fig. 5).

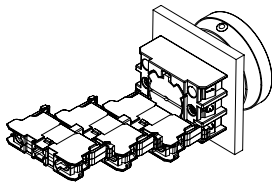


Fig. 4

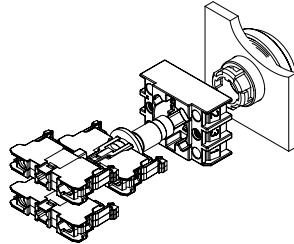


Fig. 5



On devices with lights, no plunger segments may be installed in the mounting flange.



Contact elements of the RF contact system are fitted in the first locking position and, therefore, lie flush on the mounting flange after fitting. If using contact and light elements on the mounting flange, the light element must be mounted first and in the middle position (pos. 3). No contact element may be mounted to the light element.

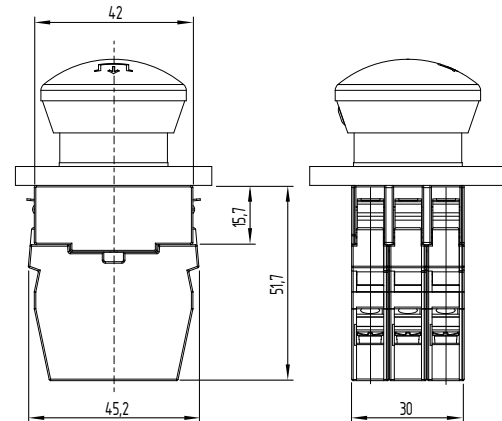


Only fit onto clean and grease-free surface!

3.3 Dimensions

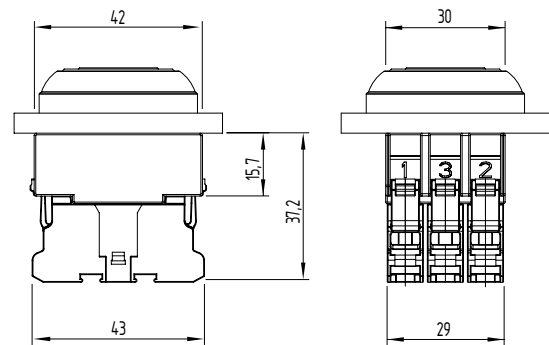
All measurements in mm.

EF contact system (for E and N programme)

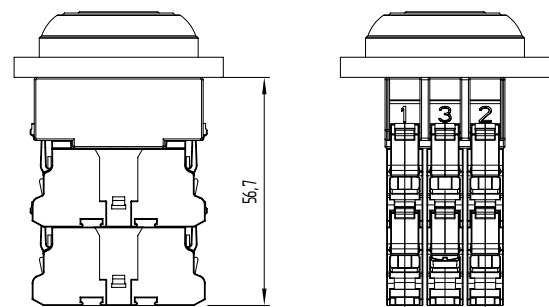


RF contact system (for R programme)

Single row contact elements



Double row contact elements



A maximum of 4 contact elements may be used on devices with latching. The fourth element must be mounted in the centre (pos. 3).

Mounting flange and blanking plug

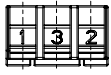


Fig. 6
ELM / EFM

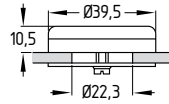
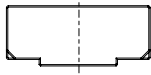


Fig. 7
Blanking plug



The bevel on the mounting flange is indicated by position 1.

4. Electrical connection

4.1 General information for electrical connection



The electrical connection may only be carried out by authorised personnel in a de-energised condition.



After wiring, the contact elements must be cleaned (i.e. remove excess cables etc.).

The clamping screws of the contact elements are to be screwed in and tightened to 1 Nm.

4.2 Contact variants of contact system

Refer to ordering code, chapter 2.1



A mixture between command device programs and contact systems is not permissible on all devices.

5. Set-up and maintenance

5.1 Functional testing

The function of the component must be tested. The following conditions must be checked and met:

1. Correct fixing of the fitted component
2. Check the integrity of the connections
3. Check the command device for damage

5.2 Maintenance

A regular visual inspection and functional test, including the following steps, is recommended:

1. Check the correct fixing of the command device and the contact element
2. Remove particles of dust and soiling
3. Check the integrity of the connections

Damaged or defective components must be replaced.

6. Disassembly and disposal



The devices must be disassembled in a de-energised condition only.

6.1 Removal of E, N and R programme

1. Removal of the EF contact elements is carried out with the aid of a size 2 cross-point screwdriver (see fig. 8).
Removal of the RF contact elements is carried out with the aid of a cross-point screwdriver with the recommended width of 5.5 mm (see Fig. 9).



With the light element mounted, the contact elements at pos. 1 and pos. 2 must be removed first. The light element is then removed.

2. Removal of the mounting flange is carried out by loosening the screws on the mounting flange. The mounting flange is then turned approx. 45° in anti-clockwise direction and removed (see fig. 10).

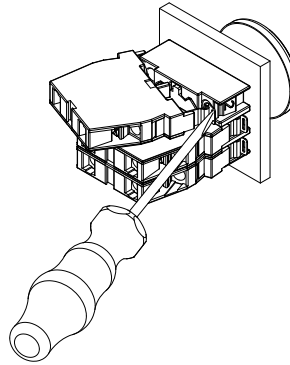


Fig. 8

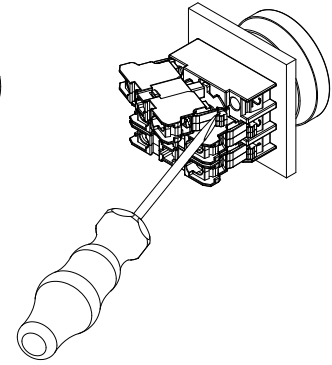


Fig. 9

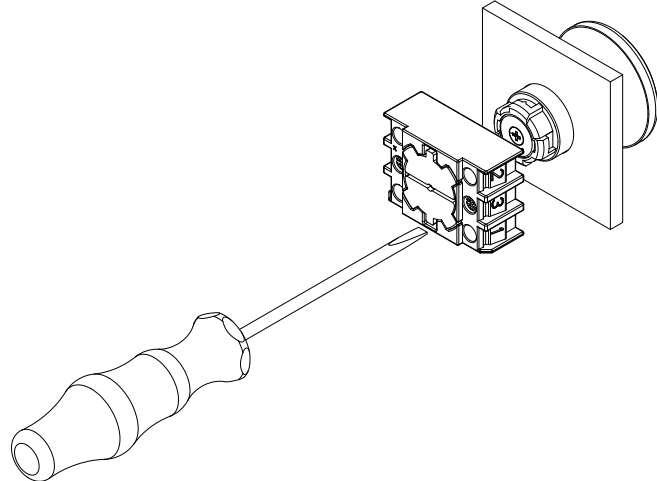


Fig. 10

6.2 Disposal

The switch must be disposed of in an appropriate manner in accordance with the national prescriptions and legislations.

7. EU Declaration of conformity

EU Declaration of conformity



Original
K.A. Schmersal GmbH & Co. KG
Möddinghofe 30
42279 Wuppertal
Germany
Internet: www.schmersal.com

We hereby certify that the hereafter described components both in their basic design and construction conform to the applicable European Directives.

Name of the component: E, N and R program

Type: See ordering code

Description of the component: Command and signalling devices optionally as illuminated signalling devices, Push, illuminated, palm buttons and switches, Selector switches and buttons, key selector switches and key selector buttons in conjunction with contact element EF and RF or light elements and voltage senders EL* and RL*

Relevant Directives:
Low Voltage Directive 2014/35/EU
EMC-Directive * 2014/30/EU
RoHS-Directive 2011/65/EU

Applied standards: DIN EN 60947-5-1:2010

Place and date of issue: Wuppertal, May 9, 2017

ENR-Programm-D-EN

Authorised signature
Philip Schmersal
Managing Director



The currently valid declaration of conformity can be downloaded from the internet at www.schmersal.net.



K. A. Schmersal GmbH & Co. KG
Möddinghofe 30, D - 42279 Wuppertal
Postfach 24 02 63, D - 42232 Wuppertal

Phone: +49 - (0)2 02 - 64 74 - 0
Telefax: +49 - (0)2 02 - 64 74 - 1 00
E-Mail: info@schmersal.com
Internet: <http://www.schmersal.com>

X-ON Electronics

Largest Supplier of Electrical and Electronic Components

Click to view similar products for [Industrial Panel Mount Indicators / Switch Indicators](#) *category:*

Click to view products by [Schmersal](#) *manufacturer:*

Other Similar products are found below :

[LW1A-P1-GD](#) [LW1A-P1-W](#) [01-931.3](#) [01-152.025](#) [A0142N5](#) [APD106LN-G](#) [ATN2100](#) [HW1A-L1-GD](#) [HW1A-P2-GL](#) [HW1X-BM411-R](#)
[HW2A-L1-GL](#) [HWAZ1N-OB](#) [PAMR25](#) [LSPD-120A](#) [LSPD-1Y](#) [LSPD-6A](#) [LSPD-6DA](#) [LSPD-6DW](#) [LSPD-6DY](#) [LSPD-6R](#) [LSPD-6W](#)
[AL6H-LK3-A](#) [AL6M-LK1-MG](#) [AP8M155-G](#) [APN106L-O](#) [21-931.9](#) [CPSLED24](#) [AVLN3LD-R](#) [AYLW4L-G](#) [5000211OPAQUELENS](#)
[5.49227.0071301](#) [HW2A-L1-GD](#) [HW2A-P1-GL](#) [LAY-1](#) [LB6P-1T04A](#) [LB6P-1T04G](#) [LSPD-1A](#) [LSPD-1W](#) [LSPD-6DG](#) [LSPD-6DR](#) [LSPD-](#)
[6Y](#) [51-951.5](#) [10-2312.1062](#) [10-2312.1065](#) [10-2312.1069](#) [10-2313.1069](#) [10-4613.3102B](#) [10-4613.3104B](#) [10-5309.3202](#) [10-6412.3162](#)