



## Main

Product Type	Power relay
Switch Function	DPDT
Contact Composition	2 NO + 2 NC

## Complementary

Input Current	30 A
Contacts Material	Silver alloy contacts
Minimum Switching Current	500 mA 5 V DC
Coil Resistance	300 Ohm
Input Voltage	24 V DC
Drop-out Voltage Threshold	$\geq 0.1 U_c$ DC $\geq 0.15 U_c$ AC
Rated Operational Current	30 A 300 V AC at nominal load)UL 15 A 600 V AC at nominal load)UL 30 A 28 V DC on resistive load)UL 5.5 A 120 V AC on pilot duty)UL 1.2 A 600 V AC on pilot duty)UL
Power consumption in W	2.3 W DC
Power consumption in VA	3.4 VA AC
Voltage Range	0.8...1.1 $U_n$ DC
Maximum Switching Voltage	600 V AC
Motor Power HP	1 Hp 120 V AC 50/60 Hz 2 Hp 208/240 V AC 50/60 Hz 2 hp 480/600 V AC 50/60 Hz
Connections Terminals	Quick
Mounting	Flange
Height	2.90 in (73.6 mm)
Width	1.49 in (37.8 mm)
Depth	1.36 in (34.5 mm)
Product Weight	3.00 oz (85 g)

## Environment

Ambient Air Temperature for Operation	-40...131 °F (-40...55 °C)
Ambient Air Temperature for Storage	-40...185 °F (-40...85 °C)
Product Certifications	UL CSA
Electrical Durability	100000 cycles
Mechanical Durability	5000000 cycles
Dielectric Strength	4000 V AC between coil and contact 2500 V AC between poles 2500 V AC between contacts

## Ordering and shipping details

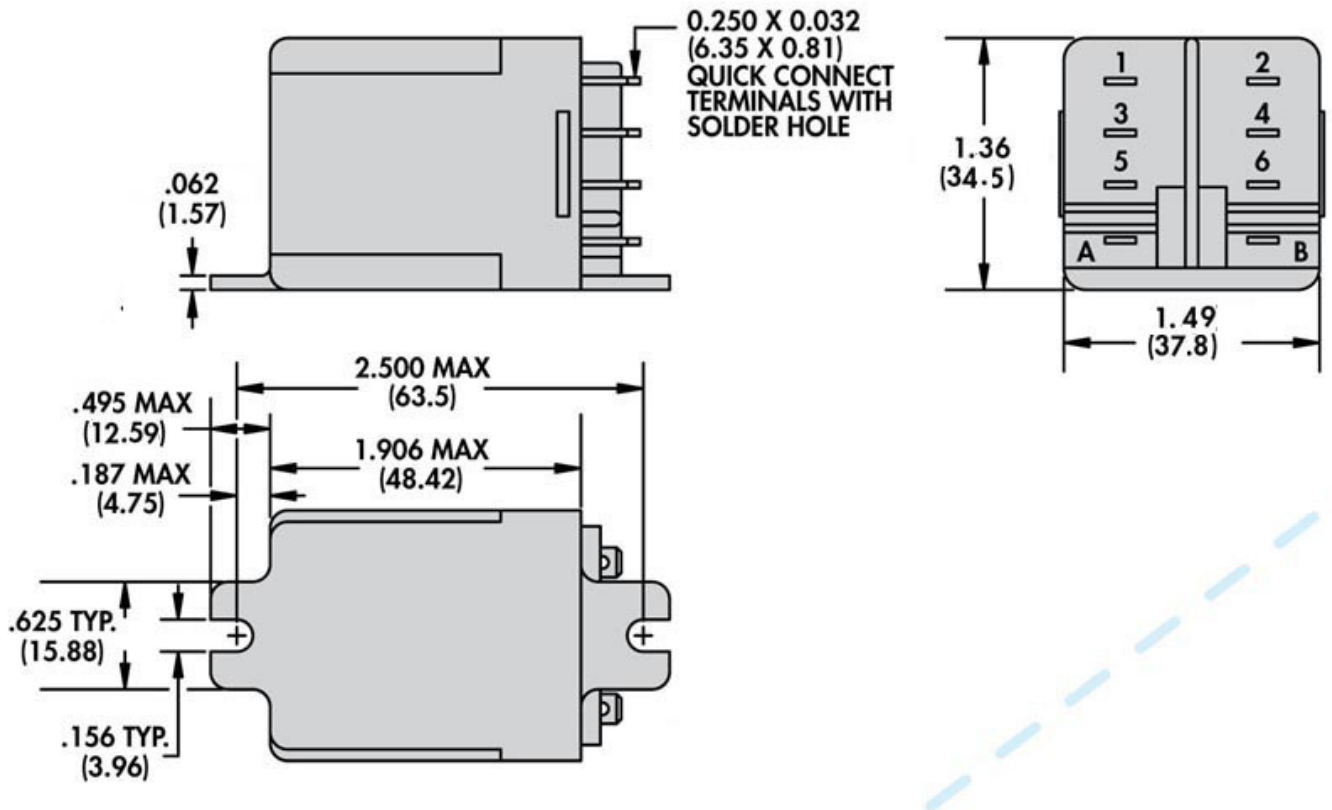
GTIN	03606480276323
------	----------------

## Offer Sustainability

Sustainable offer status	Green Premium product
California proposition 65	WARNING: This product can expose you to chemicals including: Nickel compounds, which is known to the State of California to cause cancer, and Di-isodecyl phthalate (DIDP), which is known to the State of California to cause birth defects or other reproductive harm. For more information go to <a href="http://www.P65Warnings.ca.gov">www.P65Warnings.ca.gov</a>
REACH Regulation	<a href="#">REACH Declaration</a>
REACH free of SVHC	Yes
EU RoHS Directive	Pro-active compliance (Product out of EU RoHS legal scope) <a href="#">EU RoHS Declaration</a>
Toxic heavy metal free	Yes
Mercury free	Yes
RoHS exemption information	<a href="#">Yes</a>
China RoHS Regulation	<a href="#">China RoHS Declaration</a>
Environmental Disclosure	<a href="#">Product Environmental Profile</a>
WEEE	The product must be disposed on European Union markets following specific waste collection and never end up in rubbish bins.

Approximate Dimensions

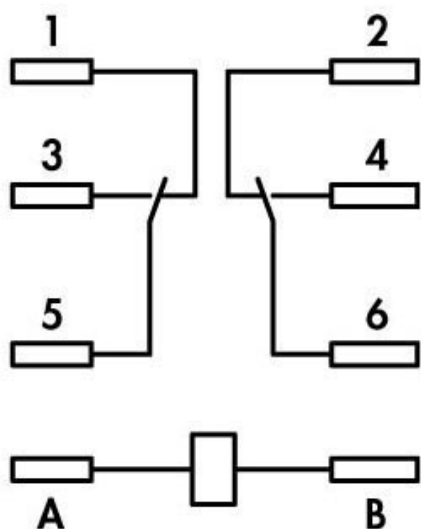
**SIDE MOUNTING COVER STYLE**



---

Connections and Wiring Diagrams

---



**XBX DPDT**

## X-ON Electronics

Largest Supplier of Electrical and Electronic Components

*Click to view similar products for [General Purpose Relays](#) category:*

*Click to view products by [Schneider](#) manufacturer:*

Other Similar products are found below :

[PCN-105D3MH,000](#) [59641F200](#) [LY1SAC110120](#) [5X827E](#) [5X837F](#) [5X840F](#) [5X842F](#) [5X848E](#) [LY2N-AC120](#) [LY2S-AC220/240](#) [LY2-US-AC120](#) [LY3-US-AC120](#) [LY4F-UA-DC12](#) [LY4F-UA-DC24](#) [LY4F-US-AC120](#) [LY4F-US-AC240](#) [LY4F-US-DC24](#) [LY4F-VD-AC110](#) [LYQ20DC12](#) [M115C60](#) [M115N010](#) [M115N0150](#) [6031007G](#) [603-12D](#) [61211T0B4](#) [61212T400](#) [61222Q400](#) [61243B600](#) [61243C500](#) [61243Q400](#) [61311BOA2](#) [61311BOA6](#) [61311BOA8](#) [61311C0A2](#) [61311COA1](#) [61311COA6](#) [61311F0A2](#) [61311QOA1](#) [61311QOA4](#) [61311T0D6](#) [61311TOA6](#) [61311TOA7](#) [61311TOB3](#) [61311TOB4](#) [61311U0A6](#) [61312Q600](#) [61312T400](#) [61312T600](#) [61313U200](#) [61313U400](#)