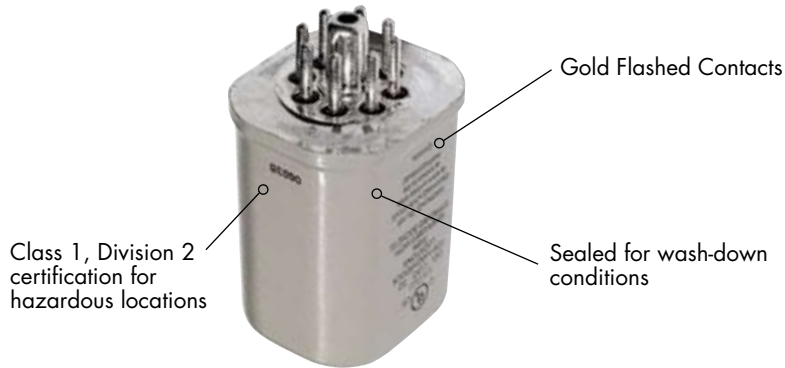
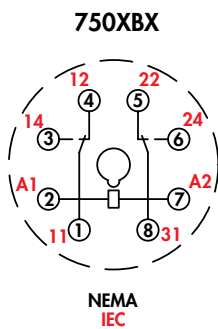


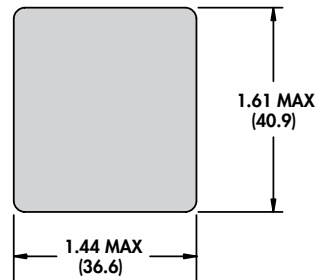
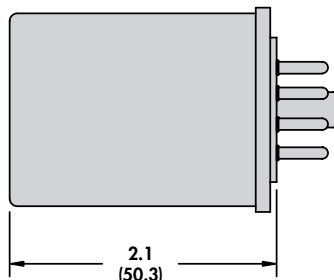
750H Hermetic Octal Relays, 8-Pin/DPDT, 12 Amp Rating (DC & AC)



General Specifications		(UL 508)	Units	750XBXH	Standard
Contact Characteristics					
Number and type of Contacts					DPDT
Contact materials					Silver Alloy
Thermal (Carrying) Current			A		12
Maximum Switching Voltage			V		300
Switching Current @ Voltage		~	General Purpose		12A @ 240V 50/60Hz
		~	General Purpose		12A @ 120V 50/60Hz
		∴	Resistive		12A @ 28V
			HP		1/3 @ 120VAC
			HP		1/2 @ 240 VAC
			Pilot Duty		B300
Minimum Switching Requirement			mA		100 @ 5VDC (.5W)
Coil Characteristics					
Voltage Range		~	V		6...240
		∴	V		6...125
Operating Range	% of Nominal	~			85% to 110%
		∴			80% to 110%
Average consumption		~	VA		1.2
		∴	W		0.9
Drop-out voltage threshold		~			15%
		∴			10%
Performance Characteristics					
Electrical Life (UL508)	Operations @ Rated Current				100,000
Mechanical Life	Unpowered				10,000,000
Operating time (response time)			ms		20
Dielectric strength	Between coil and contact	~	Vrms		1500
	Between poles	~	Vrms		1500
	Between contacts	~	Vrms		1500
Environment					
Product certifications	Standard version				UL
Ambient air temperature around the device	Storage		°C		-40...+85
	Operation		°C		-40...+55
Vibration resistance	Operational		g-n		3, 10 - 55 Hz
Shock resistance			g-n		10
Degree of protection					IP 67
Weight			grams		130



Wiring Diagram
Bottom View





750H 8-pin

Standard Part Numbers

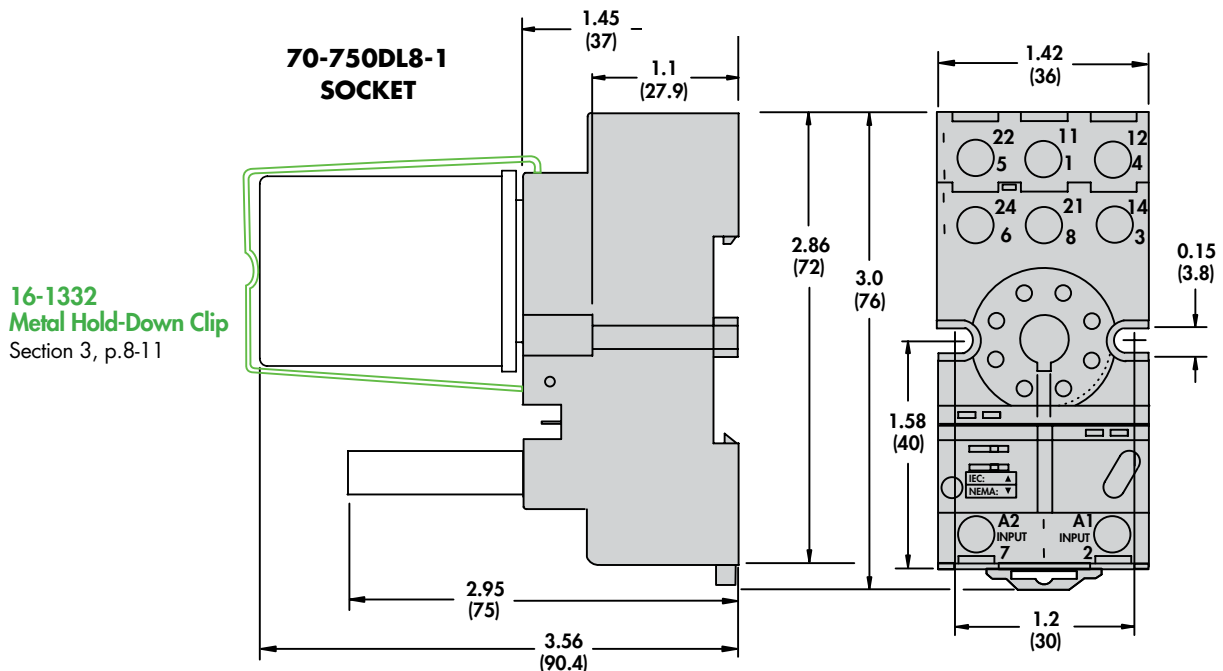
BOLD-FACED PART NUMBERS ARE NORMALLY STOCKED

Nominal Voltage	Coil Resistance	DPDT Part Number 12 Amp
AC Operated		
6 VAC 50/60 Hz	4.2 Ohms	750XBXH-6A
12 VAC 50/60 Hz	18 Ohms	750XBXH-12A
24 VAC 50/60 Hz	72 Ohms	750XBXH-24A
120 VAC 50/60 Hz	1700 Ohms	750XBXH-120A
220-240 VAC 50/60 Hz	7200 Ohms	750XBXH-220/240A
DC Operated		
6 VDC	32 Ohms	750XBXH-6D
12 VDC	120 Ohms	750XBXH-12D
24 VDC	470 Ohms	750XBXH-24D
48 VDC	1800 Ohms	750XBXH-48D
110-125 VDC	10000 Ohms	750XBXH-110/125D

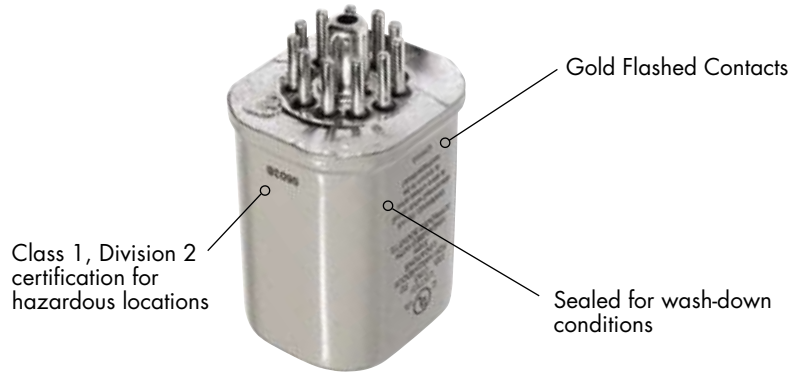
Custom Relay Part Number Builder

Series	Contact Configuration	Hermetic	Contact Code	Coil Voltage
750	XBX	H		240A
750	XBX = DPDT		12 Amp Silver Alloy = No Code	VAC = 6 - 240A VDC = 6 - 125D

For other mating sockets, see Section 2: 70-750E8-1, 70-464-1, 70-169-1



750H Hermetic Octal Relays, 11-Pin/3PDT, 12 Amp Rating (DC & AC)

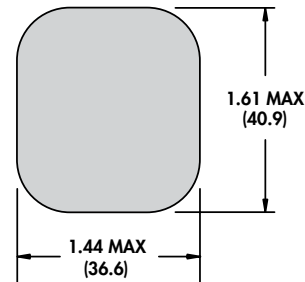
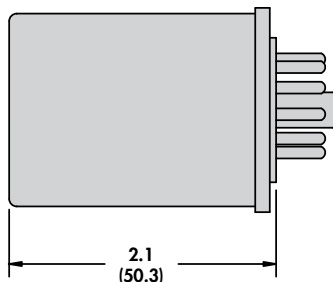
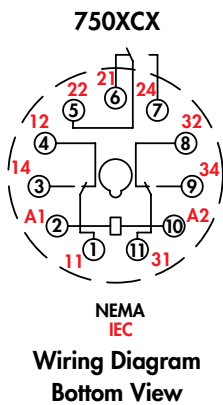


General Specifications

(UL 508)

750XCXH

Contact Characteristics		Units	Standard
Number and type of Contacts			3PDT
Contact materials			Silver Alloy
Thermal (Carrying) Current		A	12
Maximum Switching Voltage		V	300
Switching Current @ Voltage	~	General Purpose	12A @ 240V 50/60Hz
	~	General Purpose	12A @ 120V 50/60Hz
	∴	Resistive	12A @ 28V
		HP	1/3 @ 120VAC
		HP	1/2 @ 240 VAC
Minimum Switching Requirement		Pilot Duty	B300
		mA	100 @ 5VDC (.5W)
Coil Characteristics			
Voltage Range	~	V	6...240
	∴	V	6...125
Operating Range	~	% of Nominal	85% to 110%
	∴		80% to 110%
Average consumption	~	VA	2
	∴	W	1.2
Drop-out voltage threshold	~		15%
	∴		10%
Performance Characteristics			
Electrical Life (UL508)	Operations @ Rated Current		100,000
Mechanical Life	Unpowered		10,000,000
Operating time (response time)		ms	20
Dielectric strength	Between coil and contact	~	Vrms 1500
	Between poles	~	Vrms 1500
	Between contacts	~	Vrms 1500
Environment			
Product certifications	Standard version		UL
Ambient air temperature around the device	Storage	°C	-40...+85
	Operation	°C	-40...+55
Vibration resistance	Operational	g-n	3, 10 - 55 Hz
Shock resistance		g-n	10
Degree of protection			IP 67
Weight		grams	130





750H 11-pin

Standard Part Numbers

BOLD-FACED PART NUMBERS ARE NORMALLY STOCKED

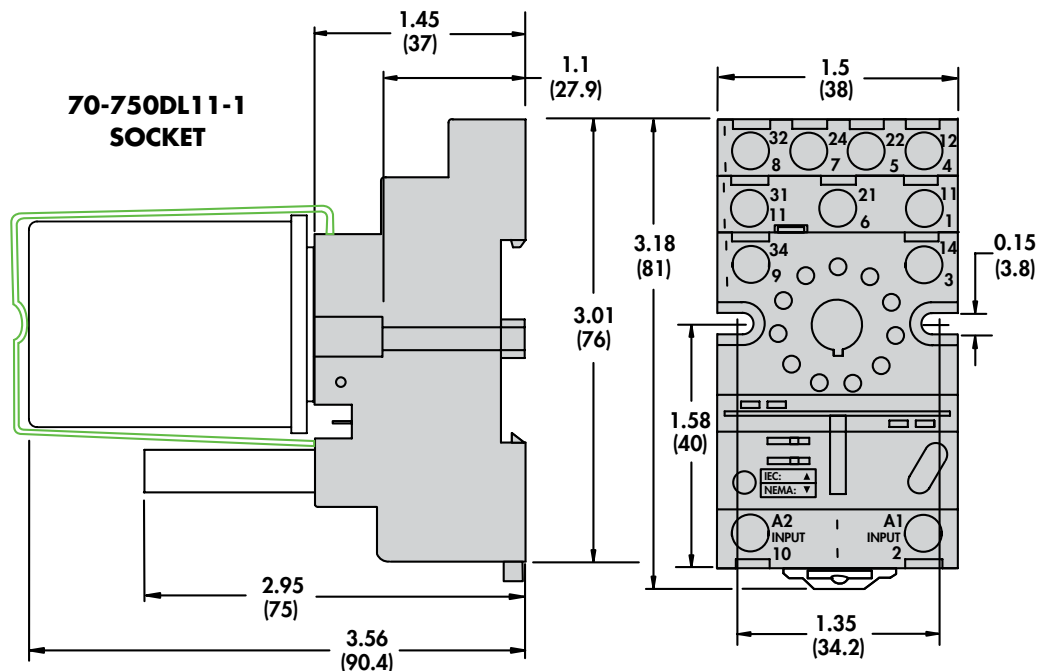
Nominal Voltage	Coil Resistance	3PDT Part Number 12 Amp
AC Operated		
6 VAC 50/60 Hz	4.2 Ohms	750XCXH-6A
12 VAC 50/60 Hz	18 Ohms	750XCXH-12A
24 VAC 50/60 Hz	72 Ohms	750XCXH-24A
120 VAC 50/60 Hz	1700 Ohms	750XCXH-120A
220-240 VAC 50/60 Hz	7200 Ohms	750XCXH-220/240A
DC Operated		
6 VDC	32 Ohms	750XCXH-6D
12 VDC	120 Ohms	750XCXH-12D
24 VDC	470 Ohms	750XCXH-24D
48 VDC	1800 Ohms	750XCXH-48D
110-125 VDC	10000 Ohms	750XCXH-110/125D

Custom Relay Part Number Builder

750	XCX	H	240A
Series	Contact Configuration	Hermetic	Contact Code
750	XCX = 3PDT		12 Amp Silver Alloy = No Code
			Coil Voltage
			VAC = 6 - 240A
			VDC = 6 - 125D

For other mating sockets, see Section 2: 70-750E11-1, 70-465-1, 70-170-1

16-1332
Metal Hold-Down Clip
Section 3, p.8-11



X-ON Electronics

Largest Supplier of Electrical and Electronic Components

Click to view similar products for [General Purpose Relays](#) category:

Click to view products by [Schneider](#) manufacturer:

Other Similar products are found below :

[PCN-105D3MH,000](#) [59641F200](#) [LY1SAC110120](#) [5X827E](#) [5X837F](#) [5X840F](#) [5X842F](#) [5X848E](#) [LY2N-AC120](#) [LY2S-AC220/240](#) [LY2-US-AC120](#) [LY3-US-AC120](#) [LY4F-UA-DC12](#) [LY4F-UA-DC24](#) [LY4F-US-AC120](#) [LY4F-US-AC240](#) [LY4F-US-DC24](#) [LY4F-VD-AC110](#) [LYQ20DC12](#) [M115C60](#) [M115N010](#) [M115N0150](#) [6031007G](#) [603-12D](#) [61211T0B4](#) [61212T400](#) [61222Q400](#) [61243B600](#) [61243C500](#) [61243Q400](#) [61311BOA2](#) [61311BOA6](#) [61311BOA8](#) [61311C0A2](#) [61311COA1](#) [61311COA6](#) [61311F0A2](#) [61311QOA1](#) [61311QOA4](#) [61311T0D6](#) [61311TOA6](#) [61311TOA7](#) [61311TOB3](#) [61311TOB4](#) [61311U0A6](#) [61312Q600](#) [61312T400](#) [61312T600](#) [61313U200](#) [61313U400](#)