



Main

| | |
|---------------------|-------------|
| Product Range | Legacy |
| Product Type | Power relay |
| Switch Function | SPDT |
| Contact Composition | 1 NC + 1 NO |

Complementary

| | |
|----------------------------|--|
| Input Current | 15 A |
| Contacts Material | Silver alloy, gold flashed |
| Local Signalling | Flag |
| Minimum Switching Current | 10 mA at 17 V |
| Coil Resistance | 450 Ohm |
| Input Voltage | 24 V DC |
| Drop-out Voltage Threshold | $\geq 0.15 U_c$ AC $\geq 0.1 U_c$ DC |
| Rated Operational Current | 15 A at 120...277 V AC conforming to UL 15 A at 28 V DC conforming to UL 15 A at 120/150 V AC conforming to CSA 10 A at 151/277 V AC conforming to CSA 15 A at 28 V DC conforming to CSA 15 A at 250 V AC (NO) conforming to IEC 15 A at 28 V DC (NO) conforming to IEC 7.55 A at 250 V AC (NC) conforming to IEC 7.55 A at 28 V DC (NC) conforming to IEC |
| Power consumption in W | 1.1 W DC |
| Power consumption in VA | 1.6 VA AC |
| Voltage Range | 0.8...1.1 U_n AC/DC |
| Maximum Switching Voltage | 300 V AC conforming to UL 300 V AC conforming to CSA 250 V AC IEC |
| Motor Power HP | 0.5 Hp at 120 V AC 50...60 Hz 1 hp at 277 V AC 50...60 Hz |
| Connections Terminals | Faston terminals |
| Mounting | Socket |
| Height | 1.39 in (35.3 mm) |
| Width | 0.55 in (14 mm) |
| Depth | 1.07 in (27.3 mm) |
| Product Weight | 0.92 oz (26 g) |
| Operating Time | 25 ms 20 ms |

Environment

| | |
|---------------------------------------|---|
| Ambient Air Temperature for Operation | -40...131 °F (-40...55 °C) |
| Ambient Air Temperature for Storage | -40...185 °F (-40...85 °C) |
| Product Certifications | UL CE CSA |
| Electrical Durability | 100000 cycles resistive |
| Mechanical Durability | 10000000 cycles |
| Dielectric Strength | 2000 V AC between coil and contact 2000 V AC between poles 1500 V AC between contacts |
| Shock Resistance | 15 gn in operation |
| Vibration Resistance | +/-1 mm (f = 10...35 Hz) 3 gn (f = 35...150 Hz) |

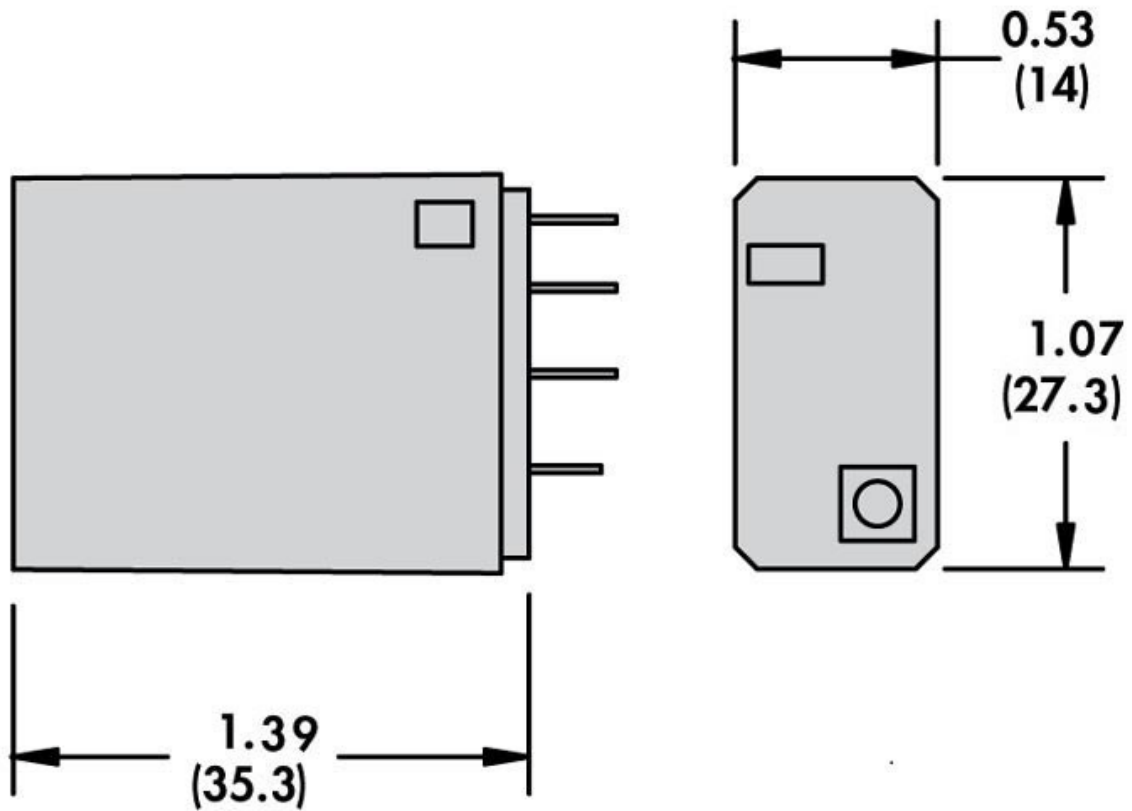
Ordering and shipping details

| | |
|------|----------------|
| GTIN | 03606480780462 |
|------|----------------|

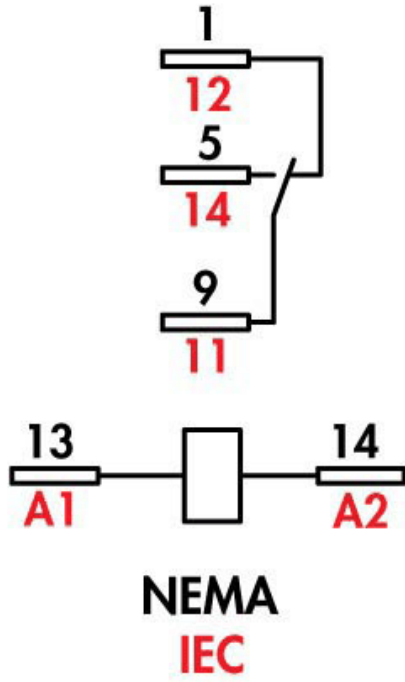
Offer Sustainability

| | |
|----------------------------|--|
| Sustainable offer status | Green Premium product |
| California proposition 65 | WARNING: This product can expose you to chemicals including: Nickel compounds, which is known to the State of California to cause cancer, and Di-isodecyl phthalate (DIDP), which is known to the State of California to cause birth defects or other reproductive harm. For more information go to www.P65Warnings.ca.gov |
| REACH Regulation | REACH Declaration |
| REACH free of SVHC | Yes |
| EU RoHS Directive | Pro-active compliance (Product out of EU RoHS legal scope) EU RoHS Declaration |
| Toxic heavy metal free | Yes |
| Mercury free | Yes |
| RoHS exemption information | Yes |
| China RoHS Regulation | China RoHS Declaration |
| Environmental Disclosure | Product Environmental Profile |
| WEEE | The product must be disposed on European Union markets following specific waste collection and never end up in rubbish bins. |

Approximate Dimensions



Connections and Wiring Diagrams



X-ON Electronics

Largest Supplier of Electrical and Electronic Components

Click to view similar products for [General Purpose Relays](#) category:

Click to view products by [Schneider](#) manufacturer:

Other Similar products are found below :

[PCN-105D3MH,000](#) [59641F200](#) [LY1SAC110120](#) [5X827E](#) [5X837F](#) [5X840F](#) [5X842F](#) [5X848E](#) [LY2N-AC120](#) [LY2S-AC220/240](#) [LY2-US-AC120](#) [LY3-US-AC120](#) [LY4F-UA-DC12](#) [LY4F-UA-DC24](#) [LY4F-US-AC120](#) [LY4F-US-AC240](#) [LY4F-US-DC24](#) [LY4F-VD-AC110](#) [LYQ20DC12](#) [M115C60](#) [M115N010](#) [M115N0150](#) [6031007G](#) [603-12D](#) [61211T0B4](#) [61212T400](#) [61222Q400](#) [61243B600](#) [61243C500](#) [61243Q400](#) [61311BOA2](#) [61311BOA6](#) [61311BOA8](#) [61311C0A2](#) [61311COA1](#) [61311COA6](#) [61311F0A2](#) [61311QOA1](#) [61311QOA4](#) [61311T0D6](#) [61311TOA6](#) [61311TOA7](#) [61311TOB3](#) [61311TOB4](#) [61311U0A6](#) [61312Q600](#) [61312T400](#) [61312T600](#) [61313U200](#) [61313U400](#)