

# 9001KA3

## 30mm Push Button, Types K, SK or KX, contact block, 1 NC

Product availability: Stock - Normally stocked in distribution facility



### Main

|                           |  |
|---------------------------|--|
| Range of product          | Harmony 9001K                          |
| Product or component type | Contact block with protected terminals |
| Device short name         | 9001K                                  |

### Complementary

|  |   |
|--|---|
| Terminals description ISO n°1                            | (3-4)NO   |
| Product weight   | 0.05 lb(US) (0.023 kg)  |
| Contacts type and composition                            | 1 NC  |
| Contact operation  | Standard  |
| Positive opening   | With conforming to IEC 60947-5-2  |
| Connections - terminals                                  | Screw clamp terminals (1 x 0.22...2 x 2.5 mm <sup>2</sup> ) conforming to IEC 60947-1   |
| Tightening torque  | 7.08 lbf.in (0.8 N.m) conforming to IEC 60947-1   |
| Shape of screw head                                      | Cross slotted head  |
| Contacts material  | Silver alloy contacts   |
| Short-circuit protection                                 | 10 A cartridge fuse conforming to IEC 60947-5-1   |
| [I <sub>th</sub> ] conventional free air thermal current | 10 A  |
| [U <sub>i</sub> ] rated insulation voltage               | 250 V (degree of pollution: 3) conforming to IEC 60947-1  |
| [U <sub>imp</sub> ] rated impulse withstand voltage      | 2.5 kV conforming to IEC 60947-1  |
| [I <sub>e</sub> ] rated operational current              | 3 A at 240 V AC-15, A600-Q600 conforming to NEMA<br>0.55 A at 125 V DC-13, A600-Q600 conforming to NEMA   |
| [I <sub>cm</sub> ] rated short-circuit making capacity   | 0.1 kA at 600 V DC-13<br>0.27 kA at 250 V DC-13<br>0.55 kA at 125 V DC-13<br>12 kA at 600 V AC-15, 7200 VA<br>15 kA at 480 V AC-15, 7200 VA<br>30 kA at 240 V AC-15, 7200 VA<br>60 kA at 120 V AC-15, 7200 VA |
| Rated breaking capacity                                  | 3 kA at 240 V AC-15, 720 VA<br>6 kA at 120 V AC-15, 720 VA<br>1.2 kA at 600 V AC-15, 720 VA<br>1.5 kA at 480 V AC-15, 720 VA<br>0.1 kA at 600 V DC-13<br>0.27 kA at 250 V DC-13<br>0.55 kA at 125 V DC-13     |

### Environment


|                                       |                                  |
|---------------------------------------|----------------------------------|
| Protective treatment                  | TC                               |
| Ambient air temperature for storage   | -40...158 °F (-40...70 °C)       |
| Ambient air temperature for operation | -13...158 °F (-25...70 °C)       |
| Electrical shock protection class     | Class II conforming to IEC 61140 |
| IP degree of protection               | IP20 conforming to IEC 60529     |

|                        |  |
|------------------------|--|
| Standards              | EN/IEC 60947-1<br>UL 508<br>CSA C22.2 No 14<br>JIS C 852<br>JIS C 4520<br>EN/IEC 60947-5-4<br>EN/IEC 60947-5-1 |
| Product certifications | NEMA<br>UL 508   |
| Vibration resistance   | 7 gn (f = 2...500 Hz) conforming to IEC 60068-2-6  |
| Shock resistance       | 50 gn conforming to IEC 60068-2-27   |

### Ordering and shipping details

|                       |                                |
|-----------------------|--------------------------------|
| Category              | 21434 - 9001 KA CONTACT BLOCKS |
| Discount Schedule     | CS1                            |
| GTIN                  | 00785901880028                 |
| Nbr. of units in pkg. | 1                              |
| Package weight(Lbs)   | 0.10000000000000001            |
| Returnability         | Y                              |
| Country of origin     | MX                             |

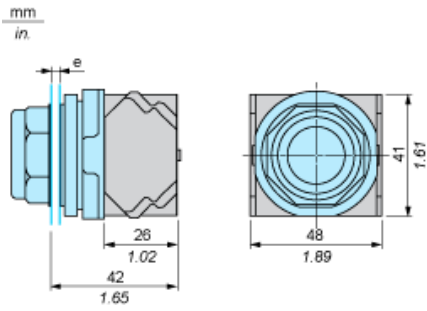
### Offer Sustainability

|                           |  |
|---------------------------|--|
| RoHS (date code: YYWW)    | Compliant - since 0921 - Schneider Electric declaration of conformity  Schneider Electric declaration of conformity |
| REACH                     | Reference not containing SVHC above the threshold  |
| California proposition 65 | WARNING: This product can expose you to chemicals including:   |
| ----- Substance 1         | Nickel compounds, which is known to the State of California to cause cancer, and   |
| ----- Substance 2         | Di-isodecyl phthalate (DIDP), which is known to the State of California to cause birth defects or other reproductive harm.   |
| ----- More information    | For more information go to <a href="http://www.p65warnings.ca.gov">www.p65warnings.ca.gov</a>  |

### Contractual warranty

|                 |           |
|-----------------|-----------|
| Warranty period | 18 months |
|-----------------|-----------|

Dimensions



e panel thickness: 1 to 6 mm / 0.04 to 0.24 in.

---

Contact Block Mounting Position

---

Top and Rear views



- (1) It is possible to mount up to 3 levels of contacts blocks (maximum of 6 contacts blocks)
- (2) Operator
- (3) Locating notch
- (4) Side 1
- (5) Side 2

## X-ON Electronics

Largest Supplier of Electrical and Electronic Components

*Click to view similar products for [Switch Contact Blocks / Switch Kits](#) category:*

*Click to view products by [Schneider](#) manufacturer:*

Other Similar products are found below :

[61-8770.17](#) [M2SA-7010](#) [704.905.2](#) [704.915.5](#) [84-8515.8640](#) [A01RTC8](#) [A02504](#) [A02512](#) [A3KJ-7010](#) [BS001](#) [190-17504-003](#) [190-17505-001](#) [190-17508-001](#) [190-17508-002](#) [190-17509-002](#) [190-17509-006](#) [A02506](#) [190-17501-001](#) [190-17506-001](#) [190-17509-005](#) [GLZ304](#) [51401](#) [BS010](#) [BST-D](#) [HW-S01](#) [XESP2021](#) [61-8650.17](#) [704.908.1](#) [704.908.5](#) [704.915.3](#) [HA-C2V](#) [S4](#) [704.918.4](#) [5.00.100.105/0000](#) [A3CA-7121](#) [84-8511.6320](#) [704.902.1](#) [A0310Y](#) [51-971.F22](#) [5.05.510.632/0000](#) [190-17502-003](#) [190-17500-006](#) [190-17510-001](#) [1.20.119.002/0000](#) [2MN6-1PA224](#) [Kit05-Keylocks](#) [Kit14-Switch Assortment](#) [Kit25-Value Added](#) [GLZ336](#) [GLZ302](#)